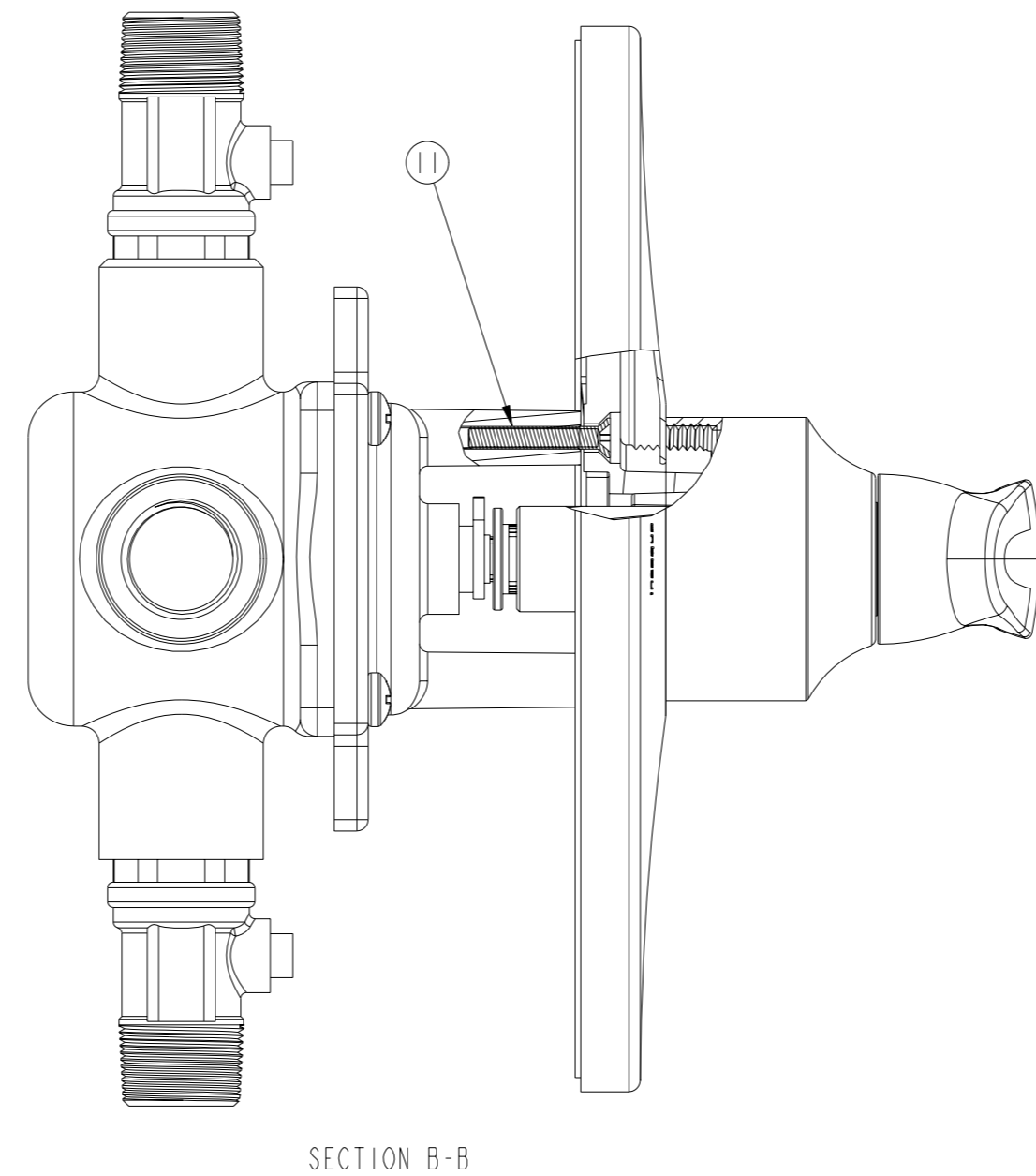


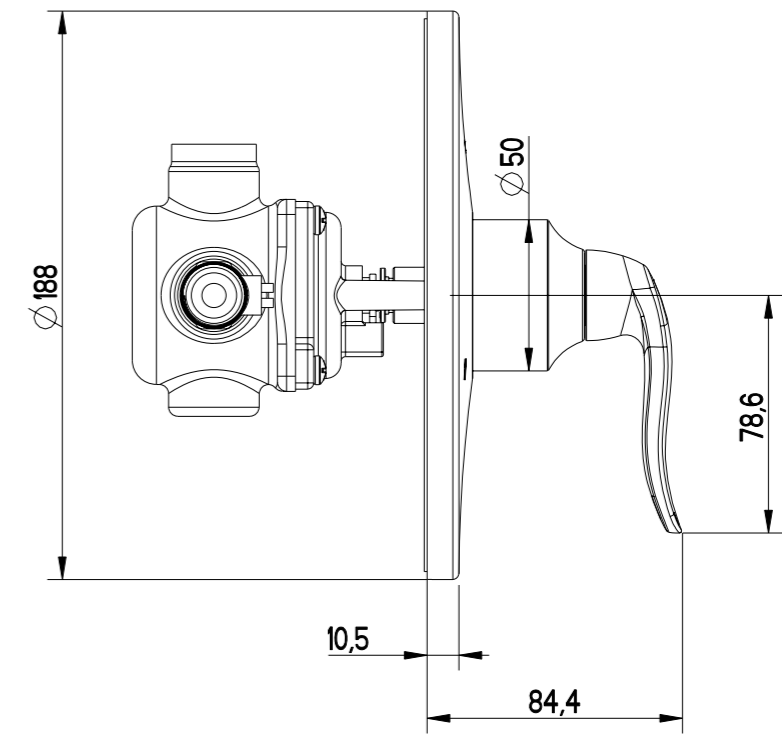
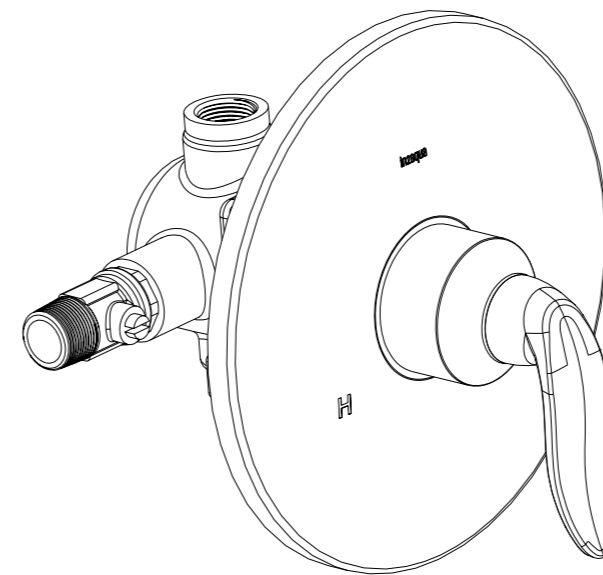
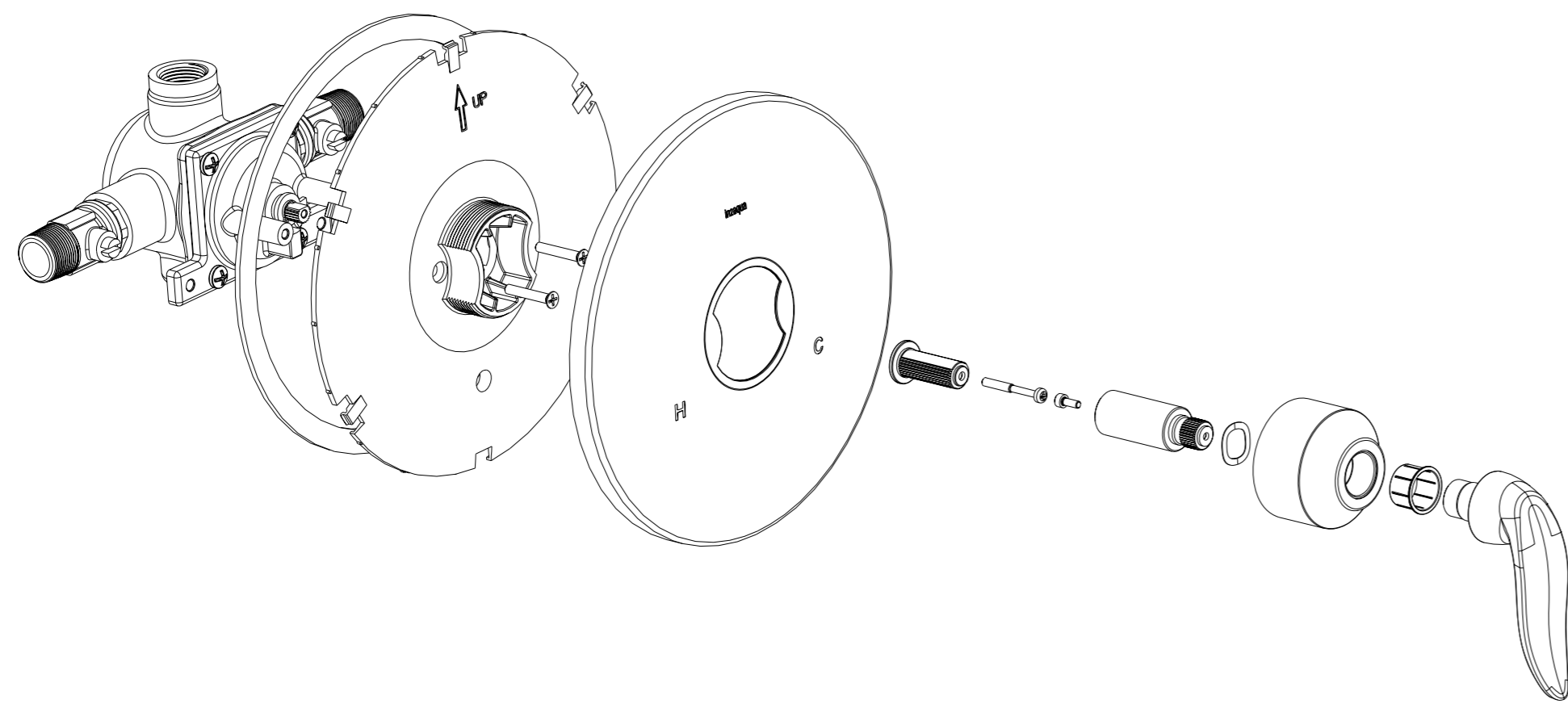
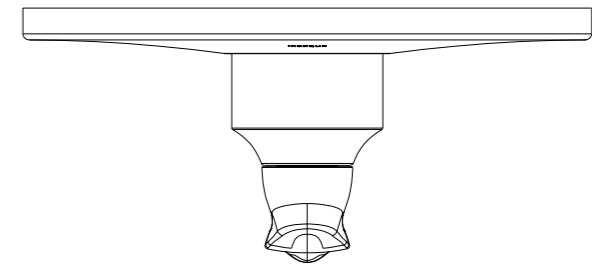
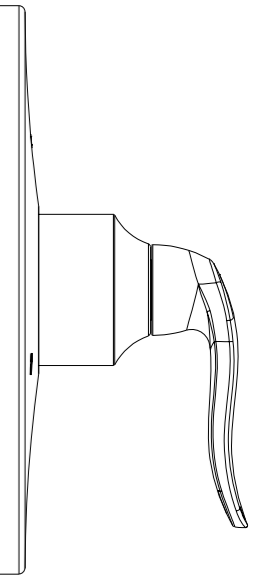
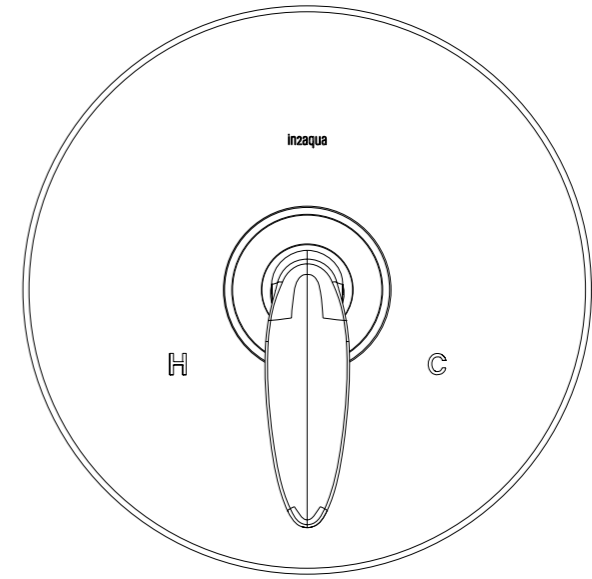
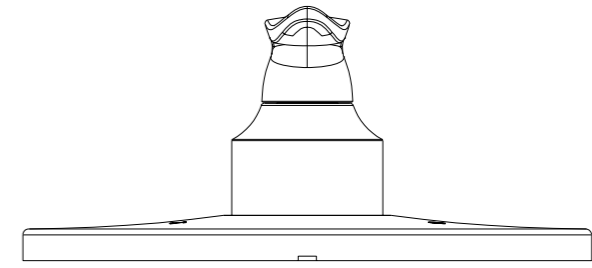
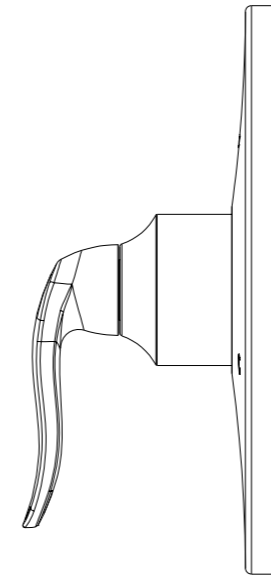
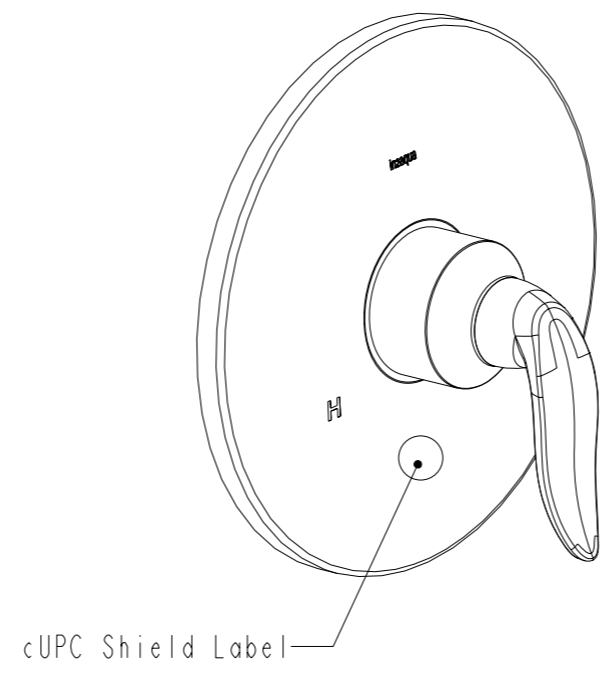
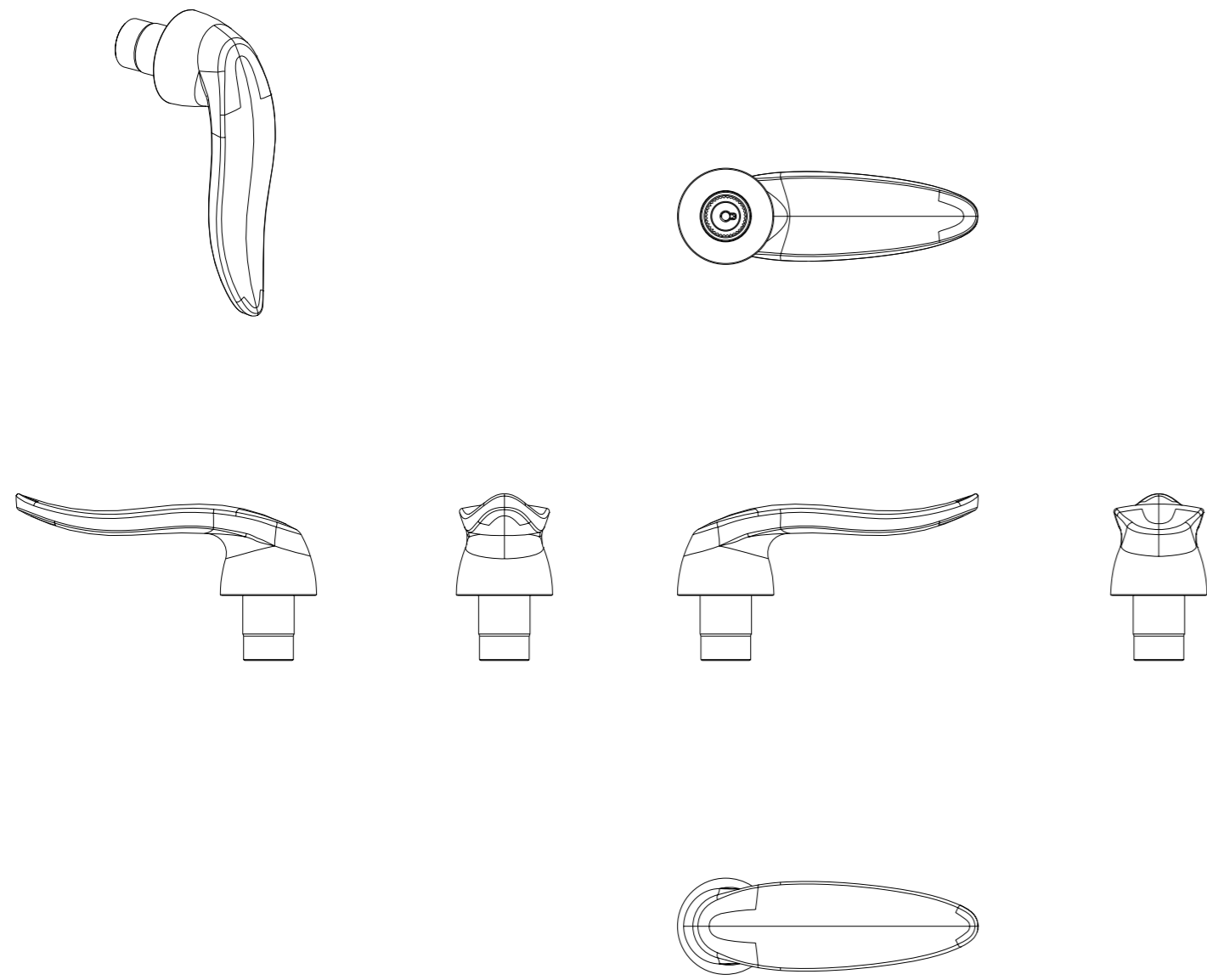
ITEM	DESCRIPTION	PART NO.	QTY
1	PRESSURE BALANCE SHOWER VALVE	5206	1
2	BAR	B87039	1
3	STYLE PRESSURE BALANCE ESCUTCHEON	B87059	1
4	SPRING WASHER	B87090	1
5	HANDLE ADAPTER	P87003	1
6	BUSHING	P87007	1
7	ESCUTCHEON HOLDER	P87013	1
8	SEAL 183X163X2.5	P87015	1
9	SETTING SCREW M3 X 8	S87001	1
10	SCREW M3.5 X 30	S87004	1
11	SCREW M4 X 25	S87005	2
12	STYLE CARTRIDGE COVER	Z87014	1
13	STYLE HANDLE PRESSURE BALANCE	Z87016	1
14		DRY_BAG	1
15		PACKAGING	1
16		INSTRUCTION_SHEET	1



Style pressure balance valve trim kit, without diverter

Finish: chrome
Article number: 1012 2 00 0

Finish: brushed nickel
Article number: 1012 2 20 0



Style pressure balance valve trim kit, without diverter

Finish: chrome
Article number: 1012 2 00 0

Finish: brushed nickel
Article number: 1012 2 20 0