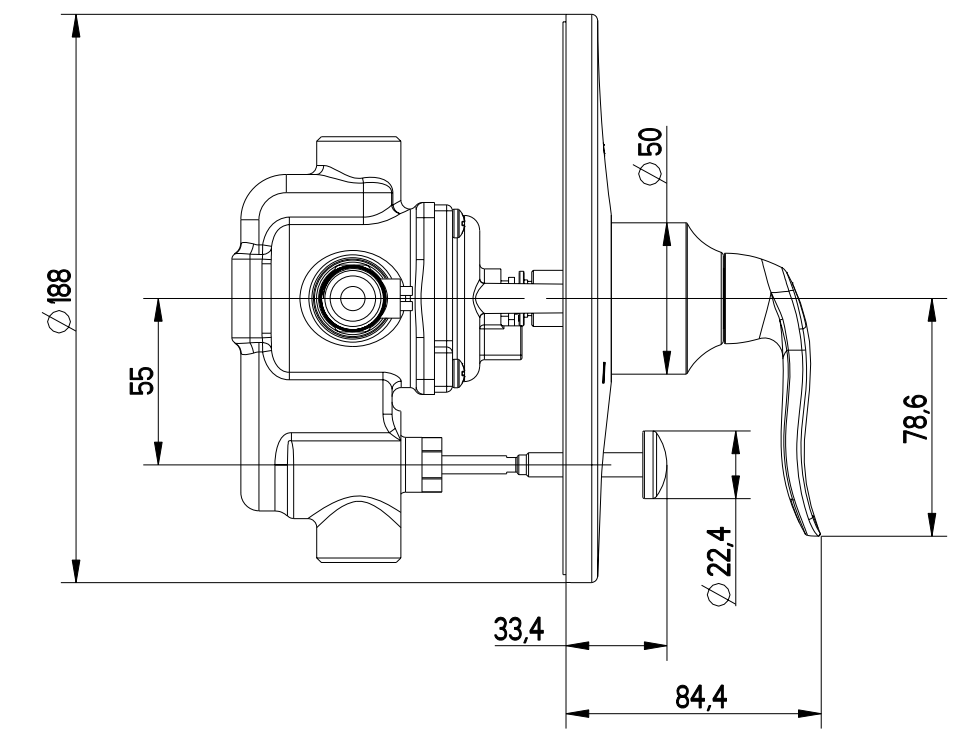
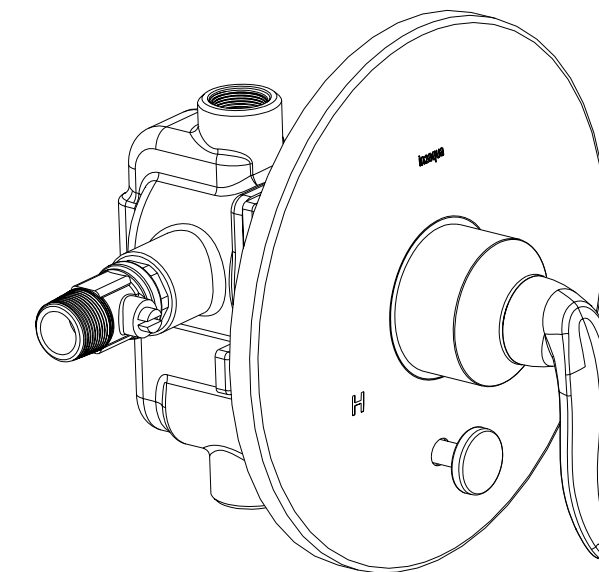
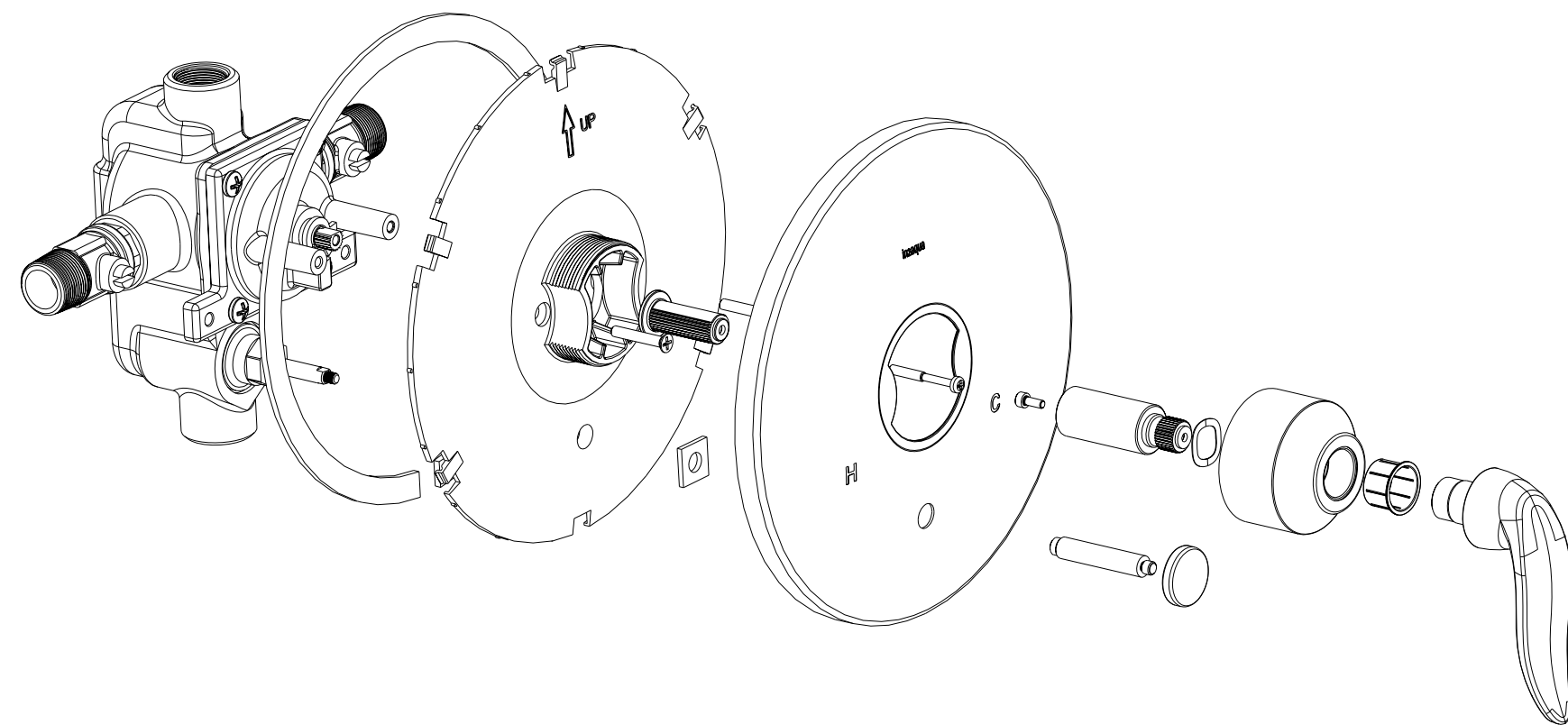
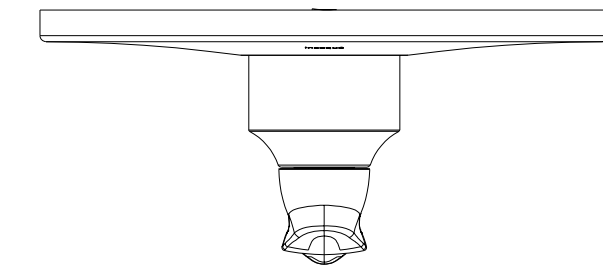
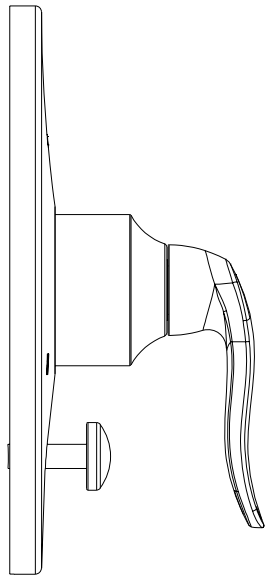
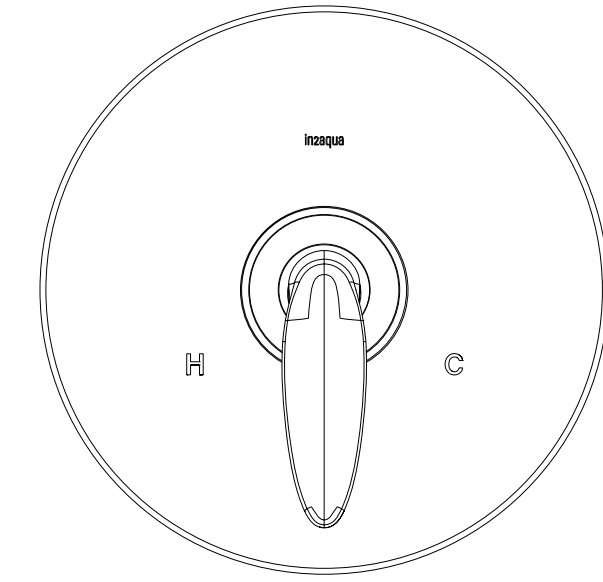
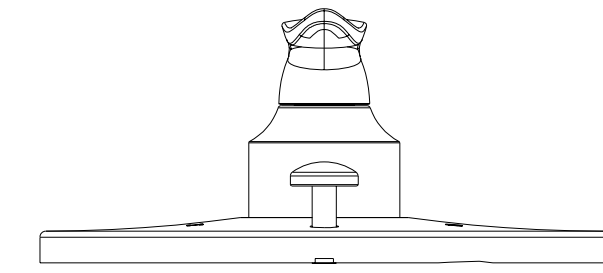
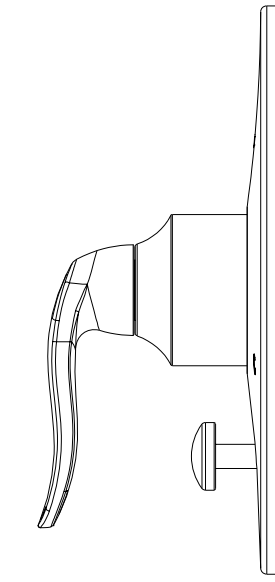
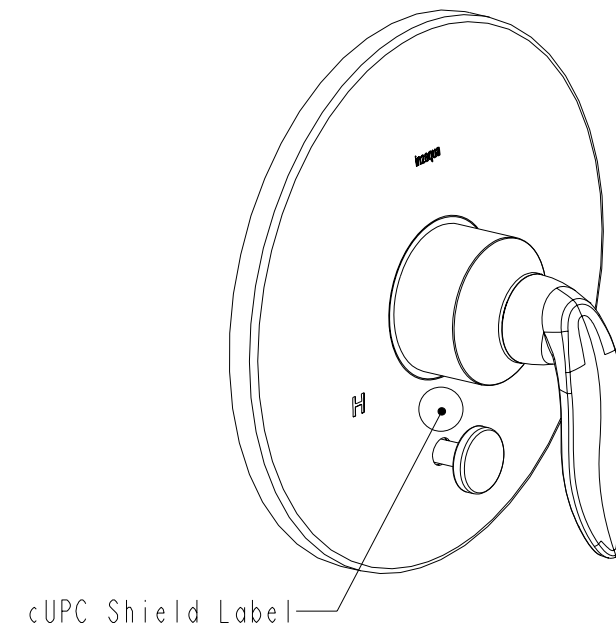
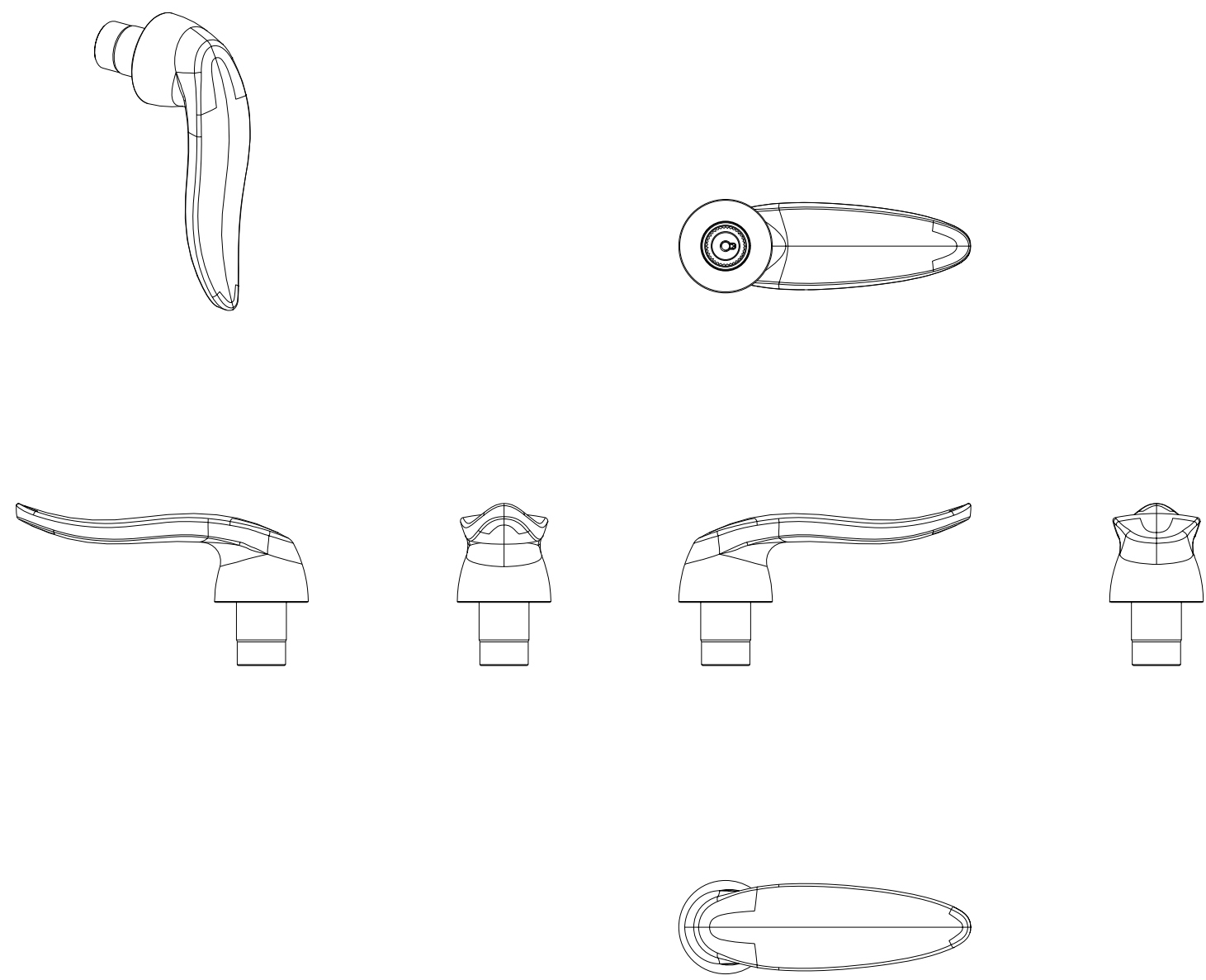


ITEM	DESCRIPTION	PART NO.	QTY
1	SPRING WASHER	B87090	1
2	HANDLE ADAPTER	P87003	1
3	PRESSURE BALANCE SHOWER VALVE WITH DIVERTER	5205	1
4	BUSHING	P87007	1
5	ESCUTCHEON HOLDER	P87013	1
6	SETTING SCREW M3 X 8	S87001	1
7	BAR	B87039	1
8	SEAL	P87022	1
9	SCREW M4 X 25	S87005	2
10	SEAL 183X163X2.5	P87015	1
11	SCREW M3.5 X 30	S87004	1
12	STYLE CARTRIDGE COVER	Z87014	1
13	STYLE HANDLE PRESSURE BALANCE	Z87016	1
14	STYLE PRESSURE BALANCE ESCUTCHEON WITH DIVERTER	B87060	1
15	STYLE LIFT KNOB PRESSURE BALANCE	B87061	1
16	LIFT ROD	B87092	1
17		DRY_BAG	1
18		PACKAGING	1
19		INSTRUCTION_SHEET	1

**Style pressure balance valve trim kit, with diverter**

Finish: chrome  
Article number: 1013 2 00 0

Finish: brushed nickel  
Article number: 1013 2 20 0



**Style pressure balance valve trim kit, with diverter**

Finish: chrome  
Article number: 1013 2 00 0

Finish: brushed nickel  
Article number: 1013 2 20 0