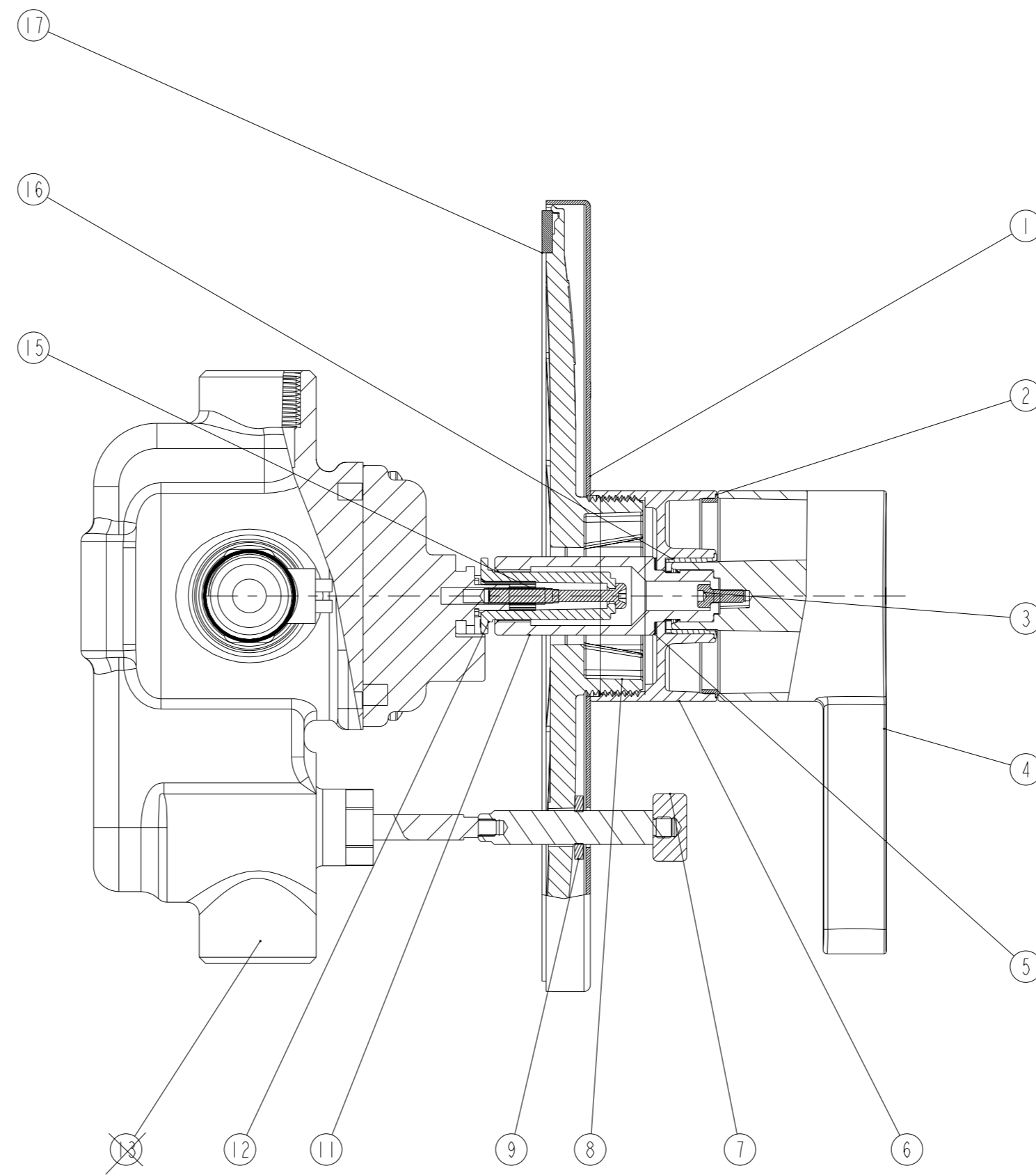
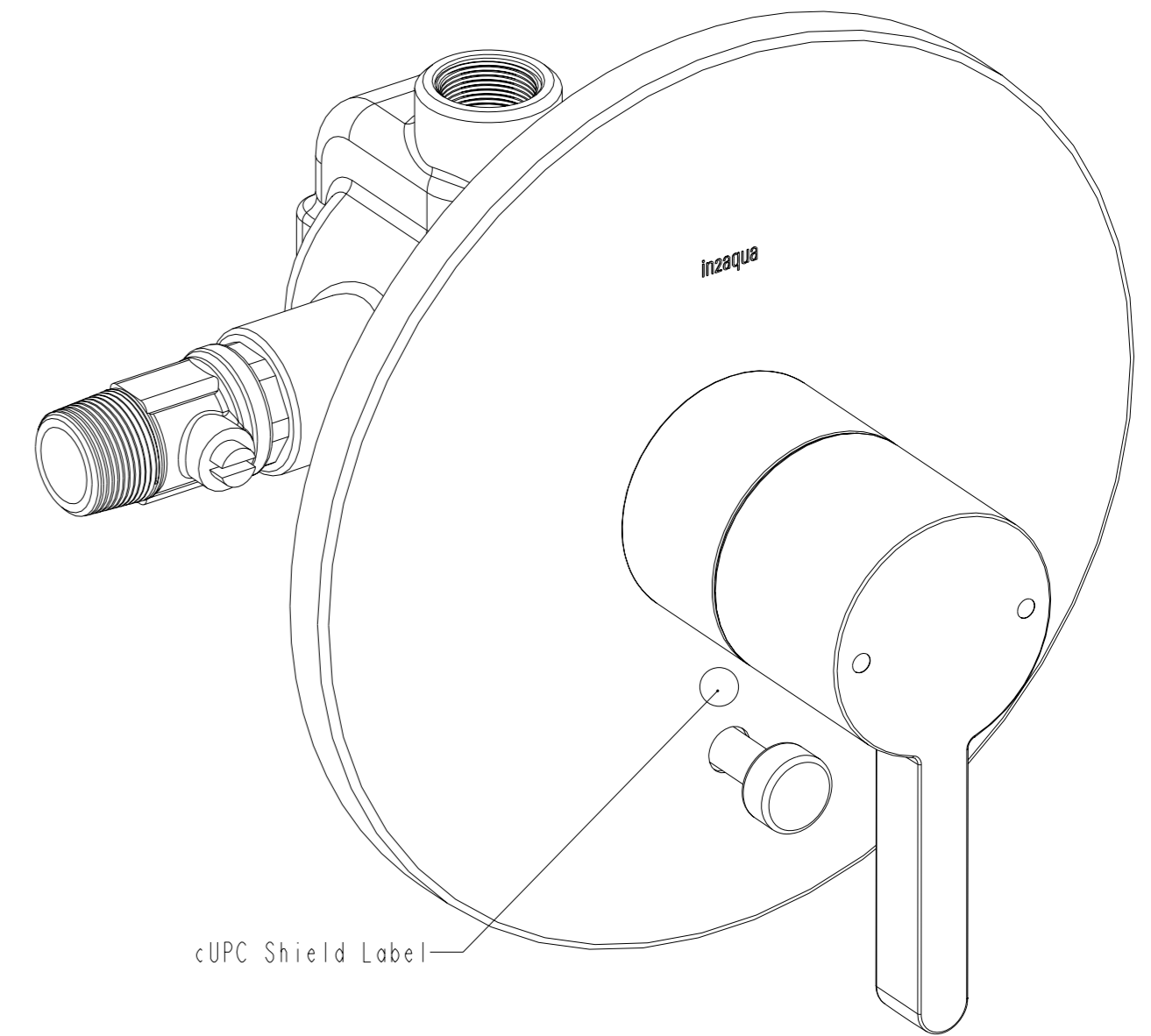


SECTION B-B



SECTION A-A

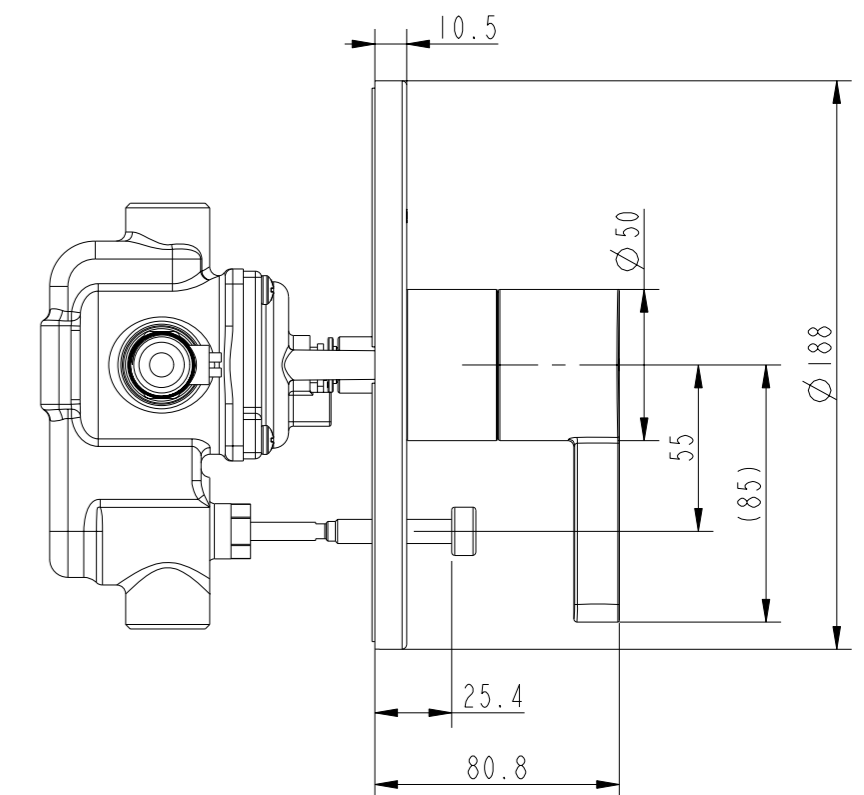
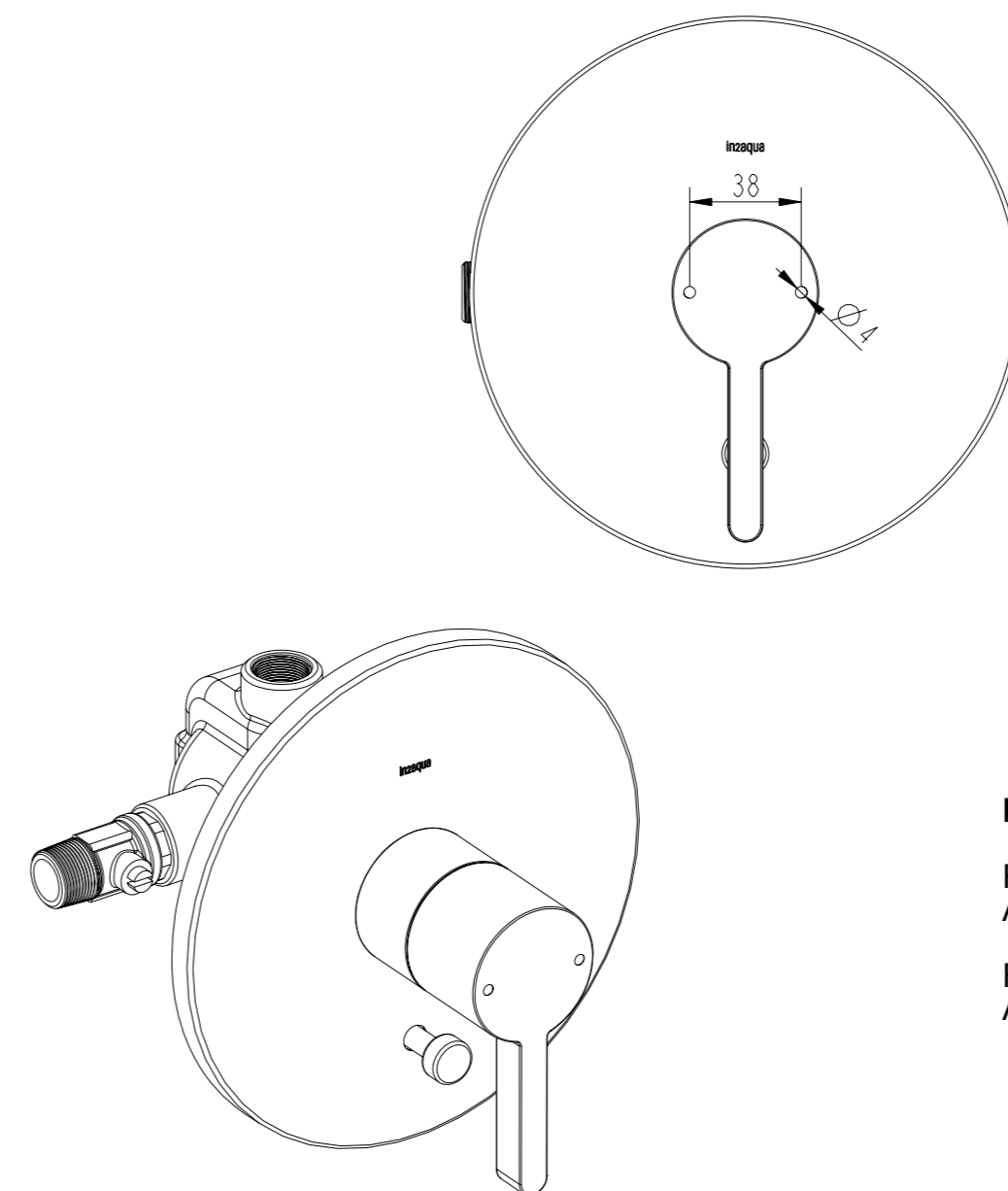
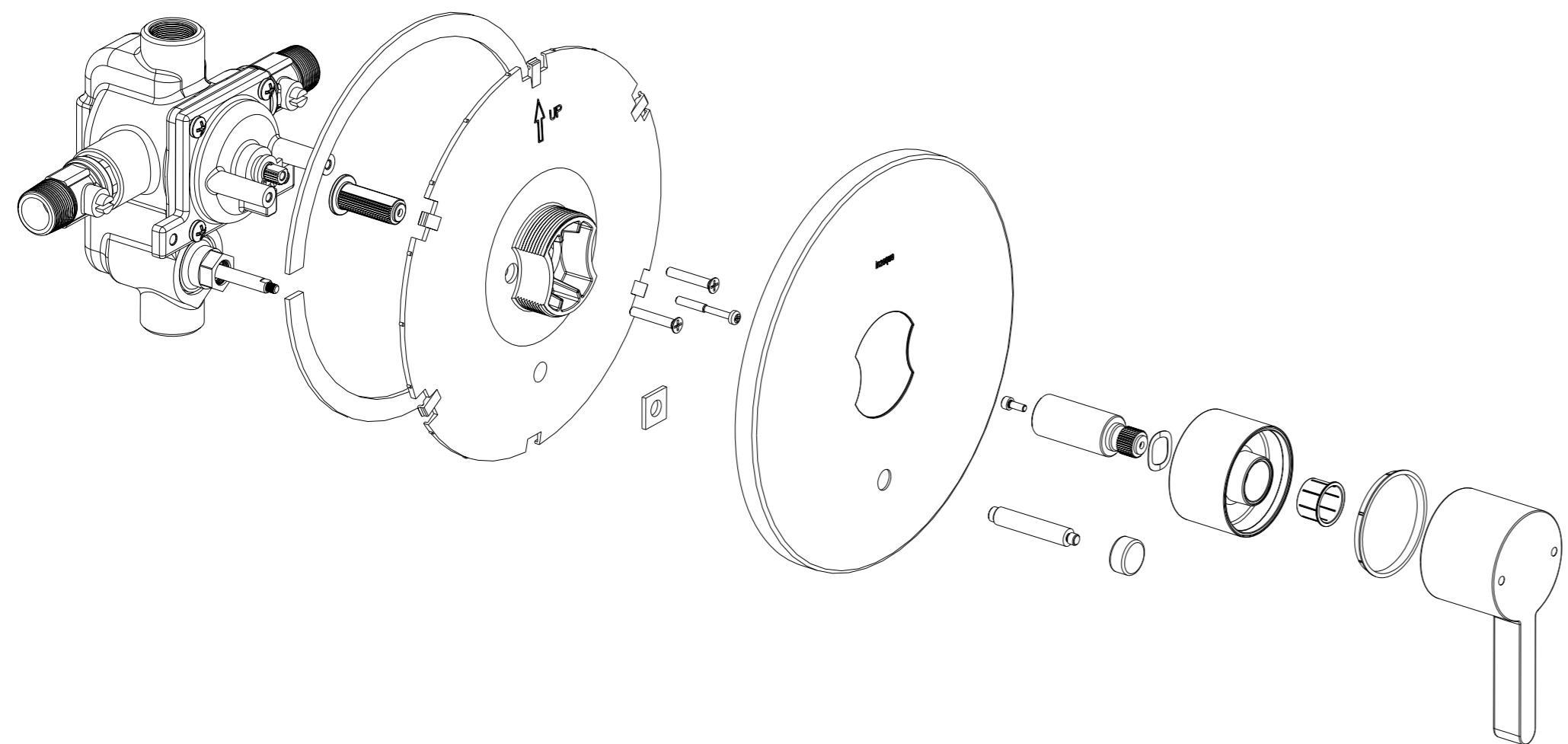
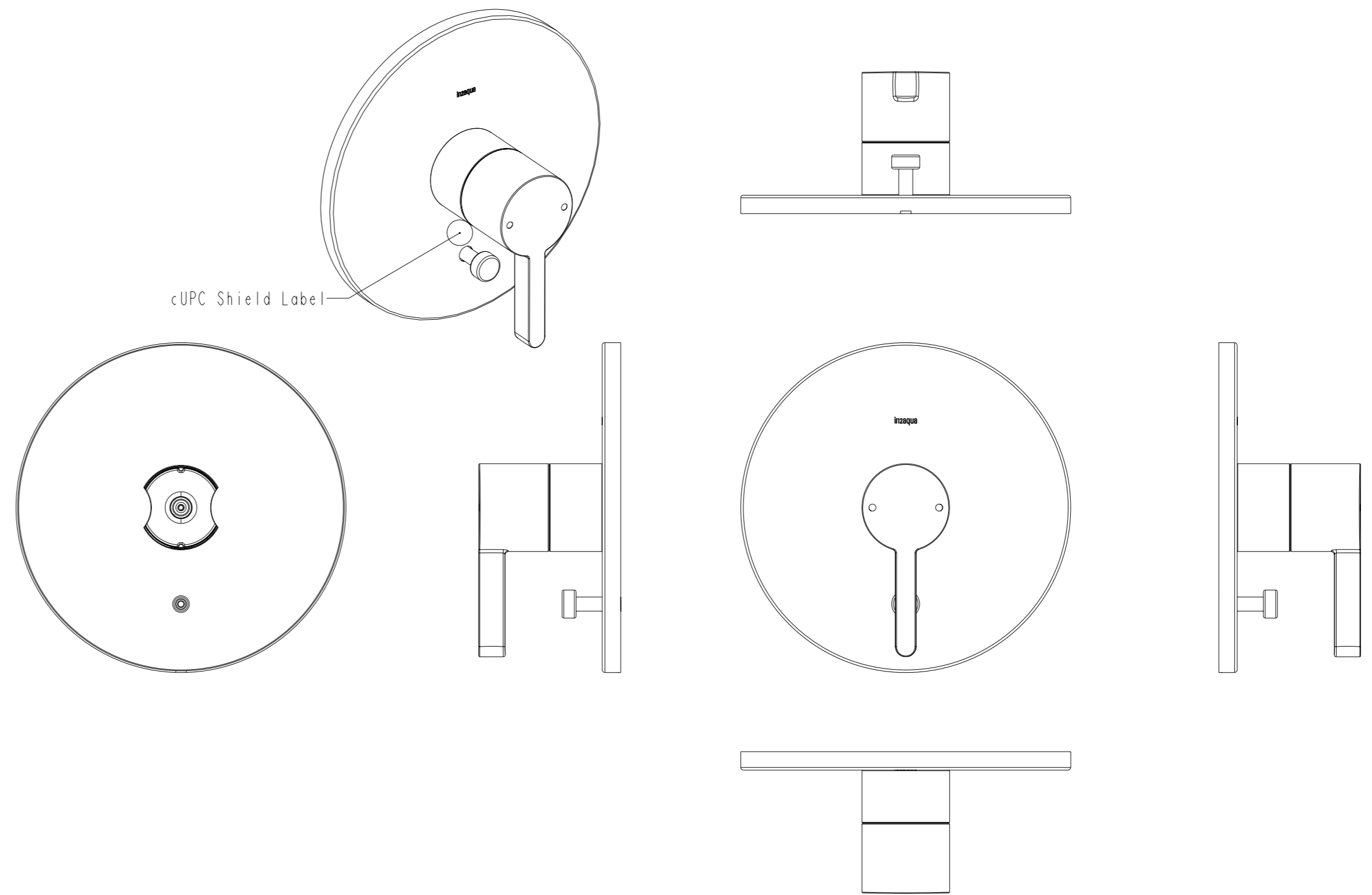
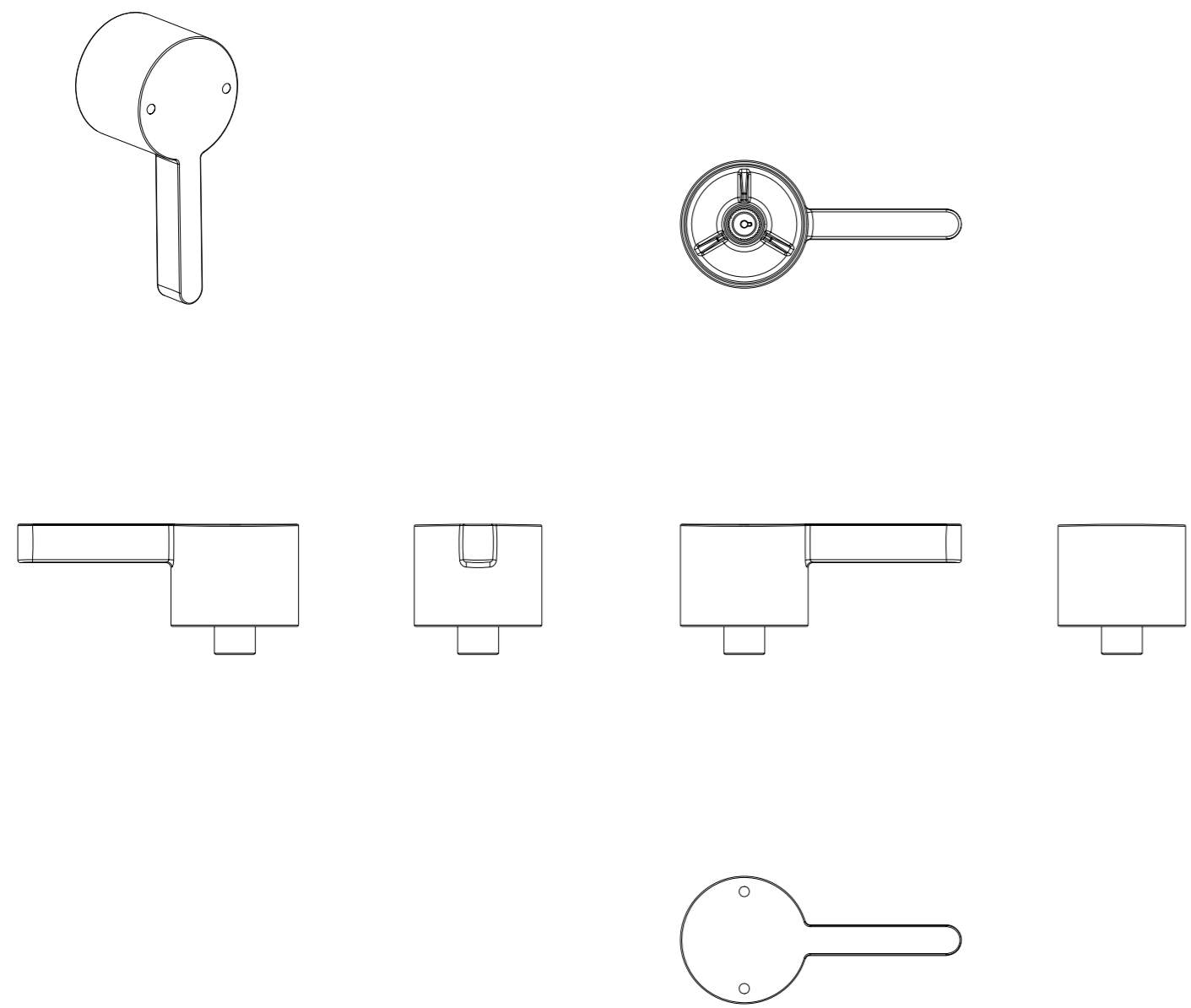


ITEM	DESCRIPTION	PART NO.	QTY
1	EDGE WALL ESCUTCHEON PRESSURE BALANCE WITH DIVERTER	B87053	1
2	EDGE BEARING PRESSURE BALANCE	P87019	1
3	SETTING SCREW M3 X 8	S87001	1
4	EDGE HANDLE PRESSURE BALANCE	Z87012	1
5	SPRING WASHER	B87090	1
6	EDGE HANDLE BASE PRESSURE BALANCE	Z87013	1
7	EDGE LIFT KNOB PRESSURE BALANCE	B87055	1
8	ESCUTCHEON HOLDER	P87013	1
9	SEAL	P87022	1
10	LIFT ROD	B87092	1
11	BAR	B87039	1
12	HANDLE ADAPTER	P87003	1
13	PRESSURE BALANCE SHOWER VALVE WITH DIVERTER	5205	1
14	SCREW M4 X 25	S87005	2
15	SCREW M3.5 X 30	S87004	1
16	BUSHING	P87007	1
17	SEAL 183X163X2.5	P87015	1
18		DRY_BAG	1
19		PACKAGING	1
20		INSTRUCTION_SHEET	1

**Edge pressure balance valve trim kit, with diverter**

Finish: chrome  
Article number: 1018 2 00 0

Finish: brushed nickel  
Article number: 1018 2 20 0



**Edge pressure balance valve trim kit, with diverter**

Finish: chrome  
Article number: 1018 2 00 0

Finish: brushed nickel  
Article number: 1018 2 20 0