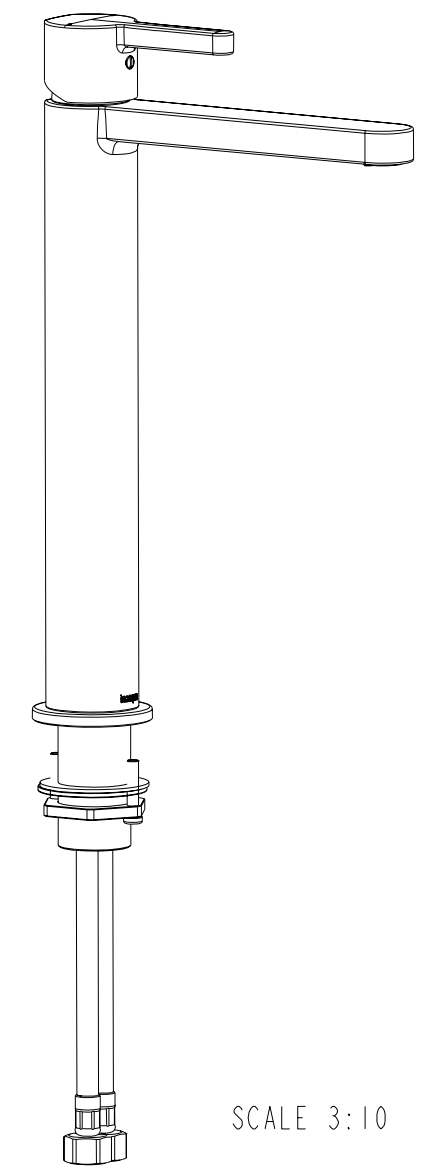


SECTION A-A
SCALE 3:5



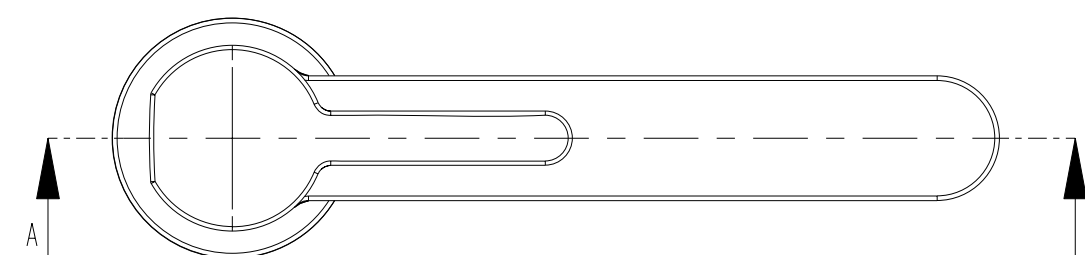
SCALE 3:10

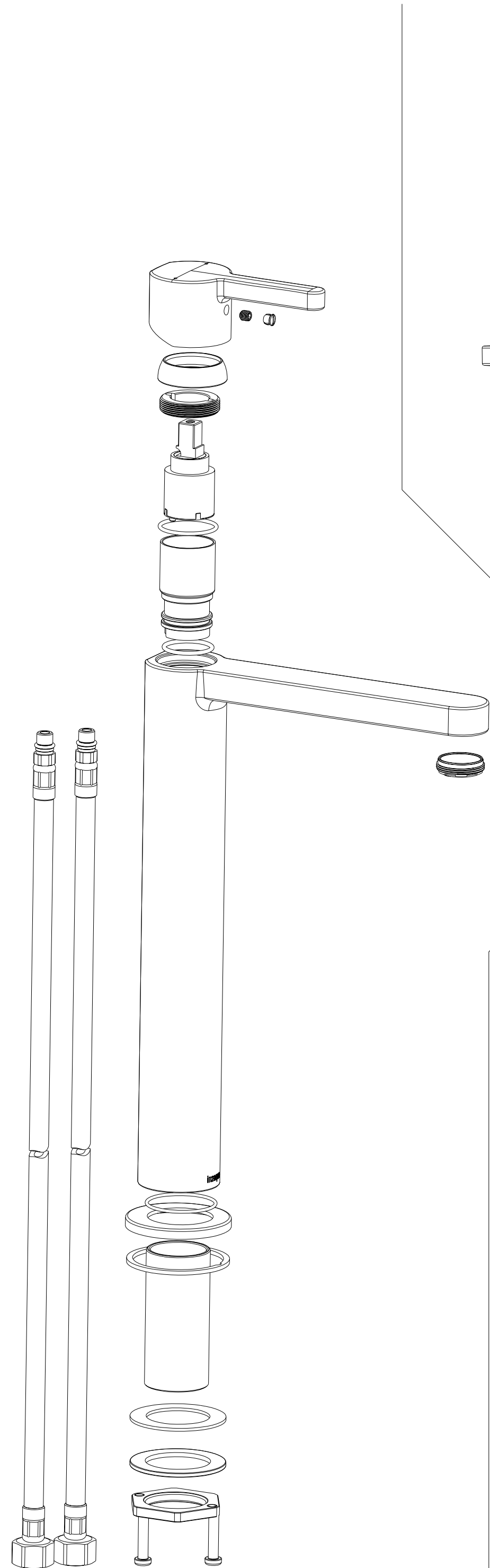
ITEM	DESCRIPTION	PART NO.	QTY
1	HANDLE	Z87107	1
2	BONNET NUT	B87074	1
3	CARTRIDGE (K-25 PVD+)	C087019	1
4	LOCK RING	B87073	1
5	O RING $\varnothing 33 \times 1.5$	P87040	1
6	O RING $\varnothing 26.5 \times 1.78$	P87041	1
7	CARTRIDGE SEAT	B87269	1
8	O RING $\varnothing 22 \times 2$	P87063	1
9	SPOUT BODY	B87079	1
10	CONNECTION HOSE	C087009	2
11	SHANK	B87082	1
12	SET SCREW M5	S87008	1
13	COVER	P87025	1
14	AERATOR CACHE SLIM SSR M24X1 SWIVEL AERATOR	C087012	1
15	ESCUTCHEON	Z87116	1
16	SEAL	P87039	1
17	WASHER 32 X 48	P87034	1
18	WASHER 32.8X48X2.2	B87097	1
19	NUT M32X1.5	B87094	1
20	SCREW M5 X 0.8	S87010	2
21		DRY_BAG	1
22		PACKAGING	1
23		INSTRUCTION_SHEET	1

Edge one-hole single-lever vessel mixer

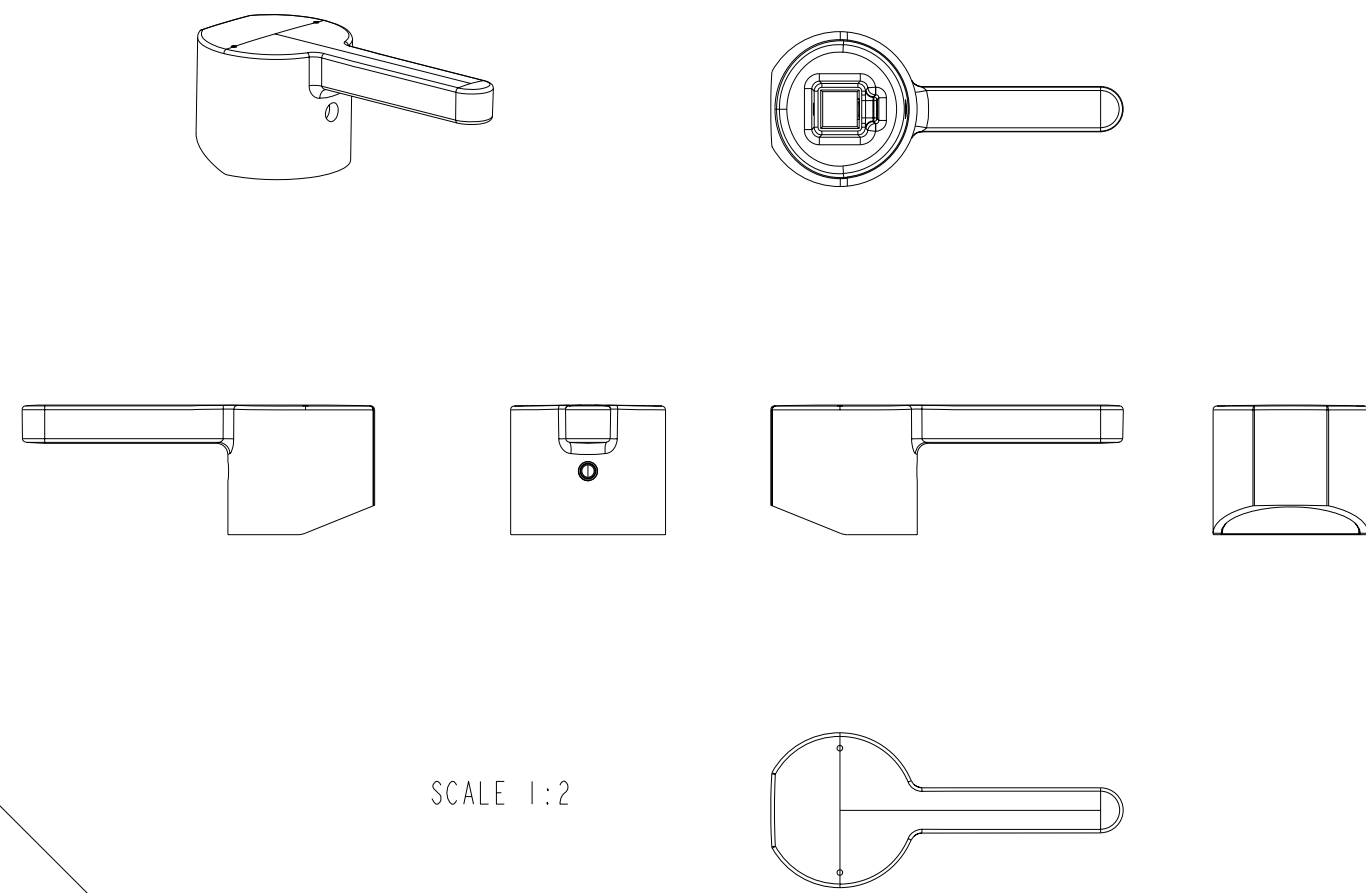
Finish: chrome
Article number: 1024 1 00 2

Finish: brushed nickel
Article number: 1024 1 20 2

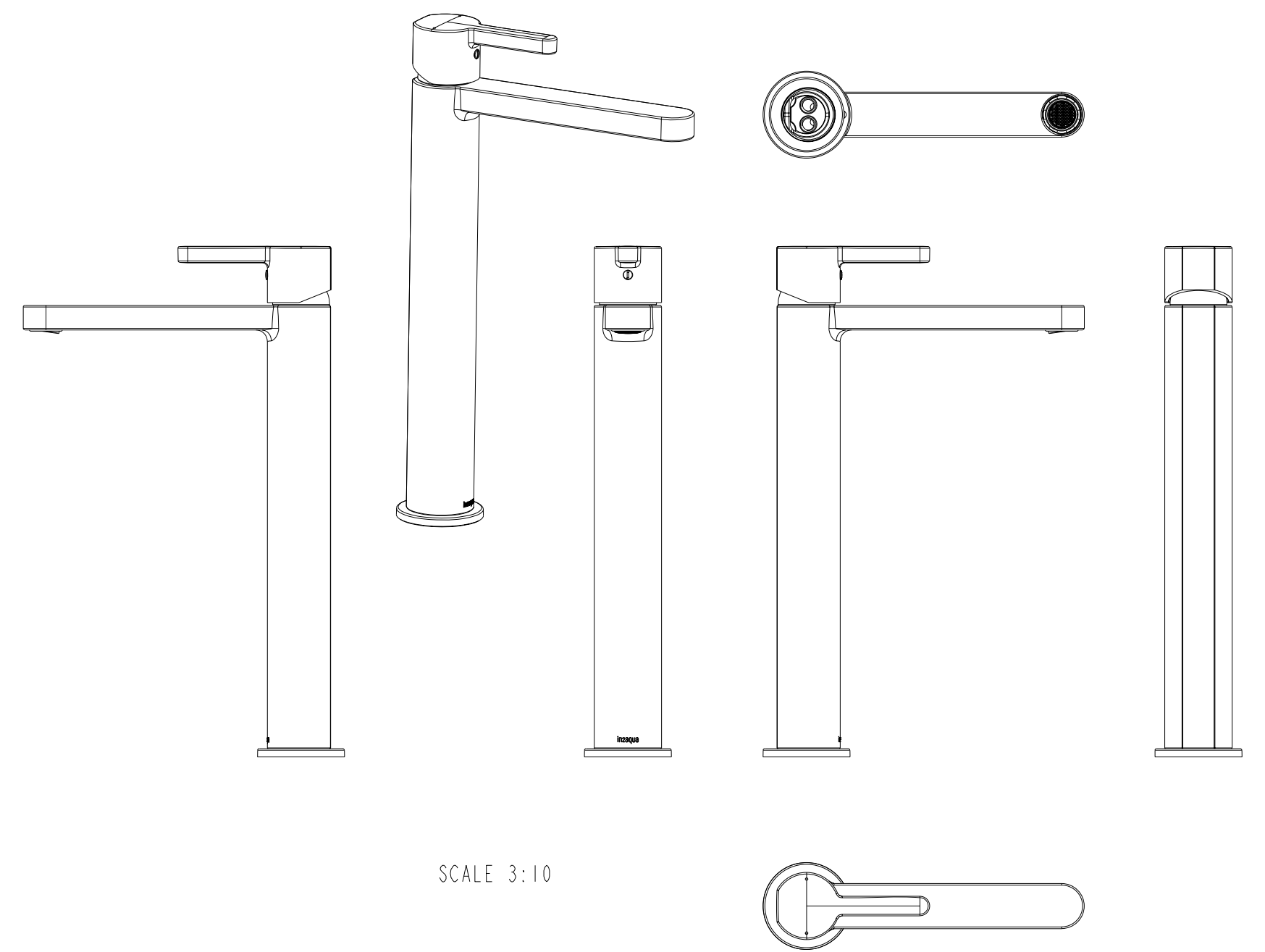




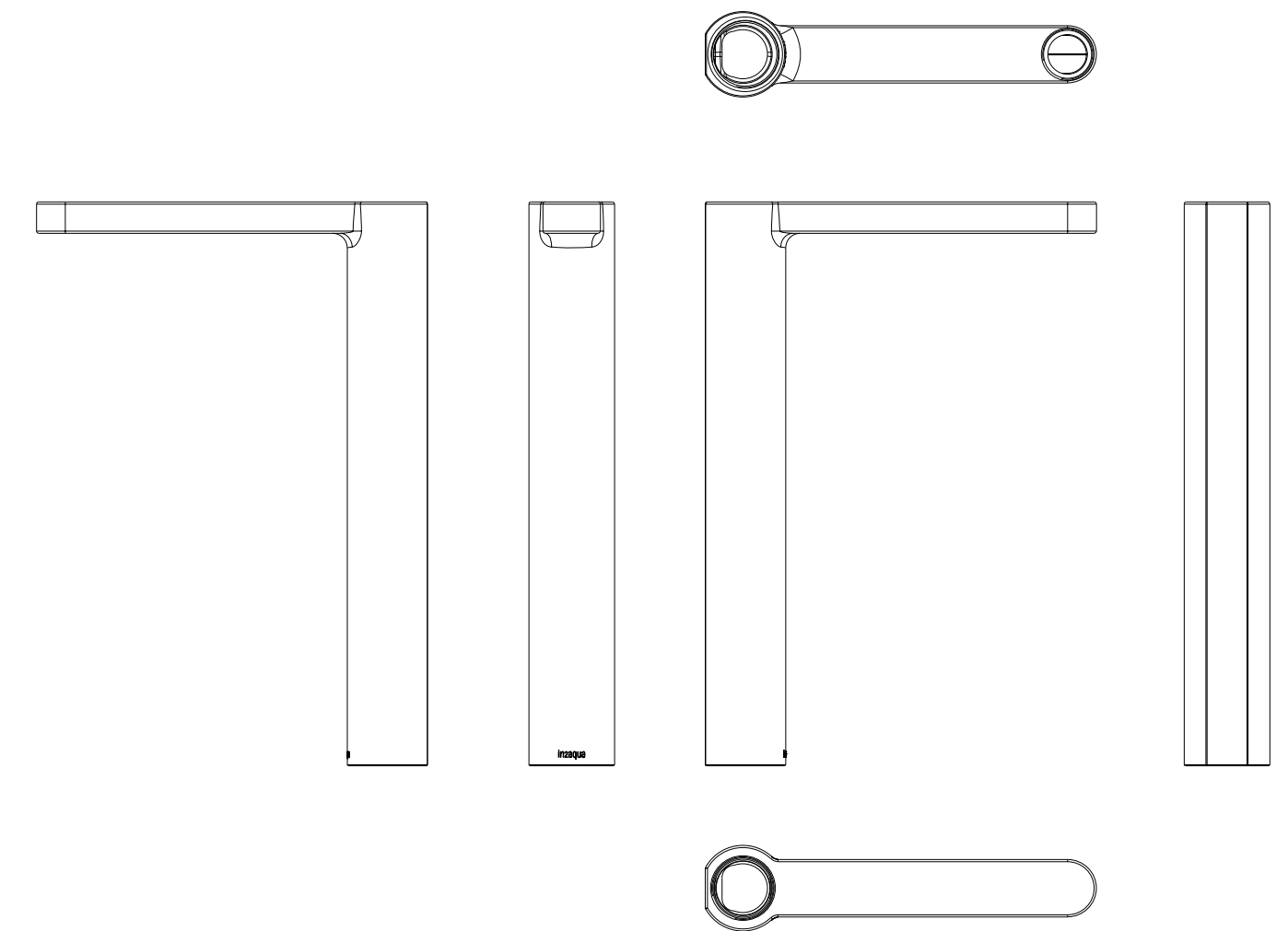
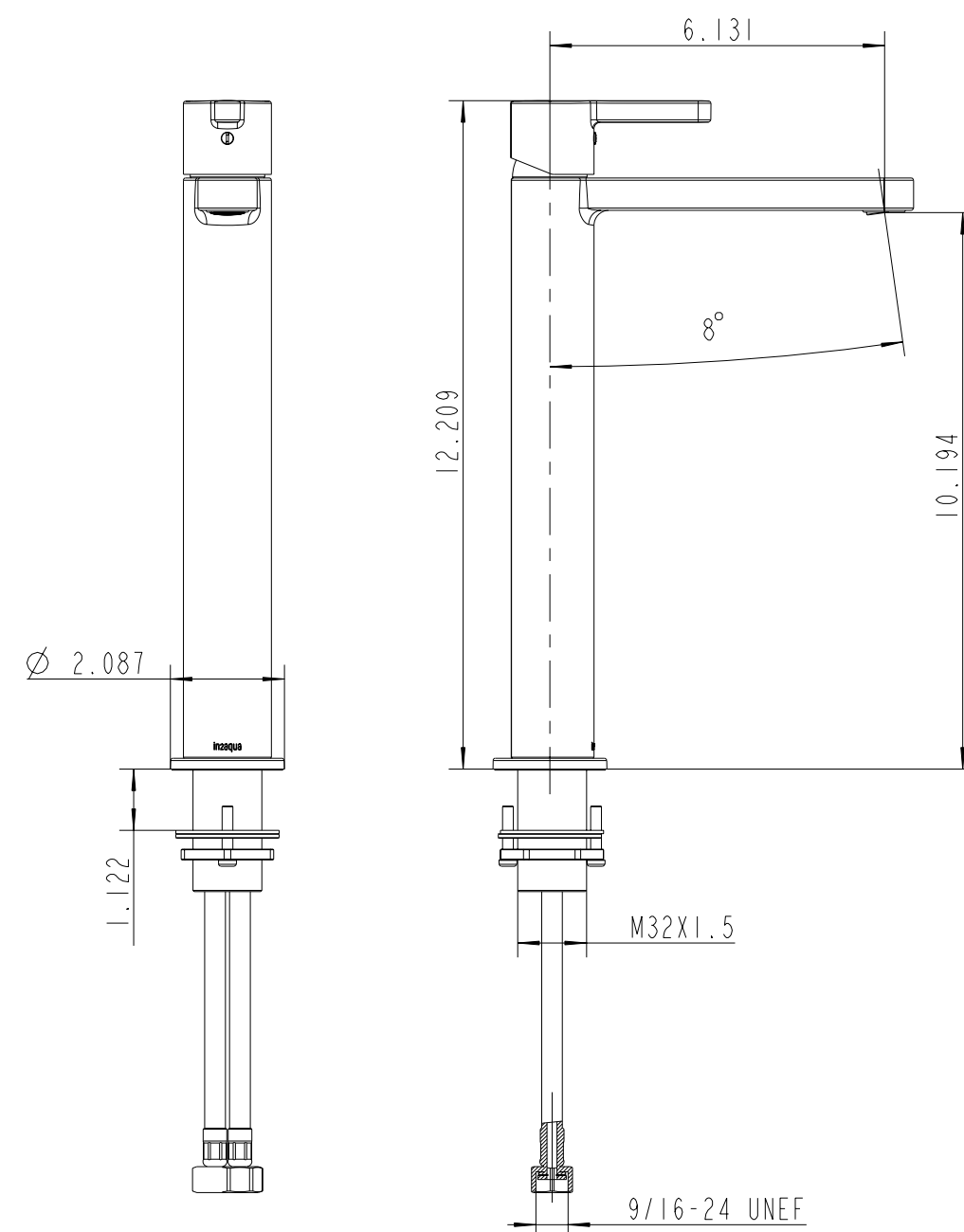
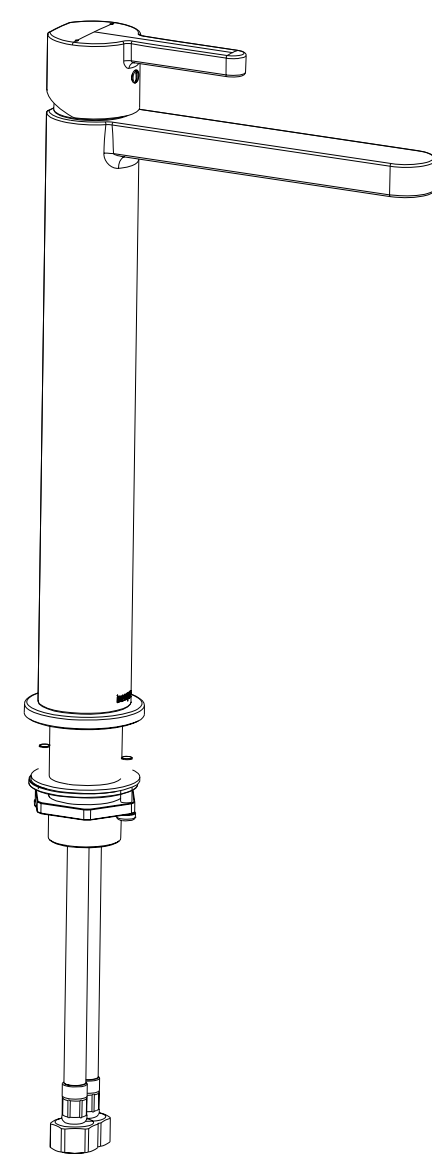
SCALE 1:2



SCALE 1:2



SCALE 3:10



Edge one-hole single-lever vessel mixer

Finish: chrome
Article number: 1024 1 00 2

Finish: brushed nickel
Article number: 1024 1 20 2

in2aqua