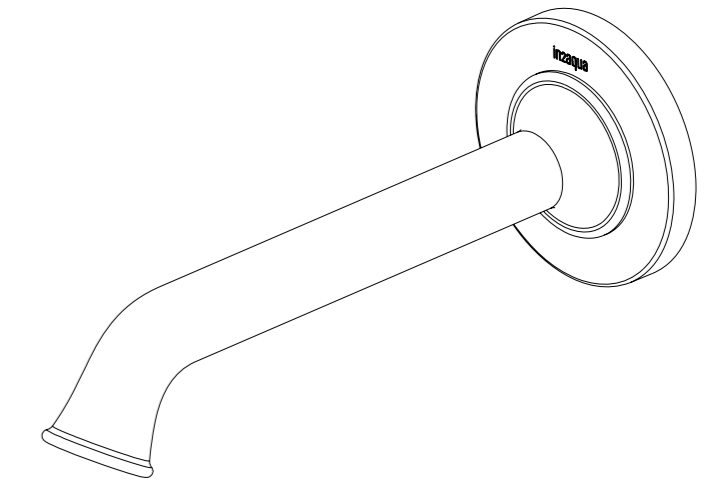


SECTION A-A



SCALE 1:2



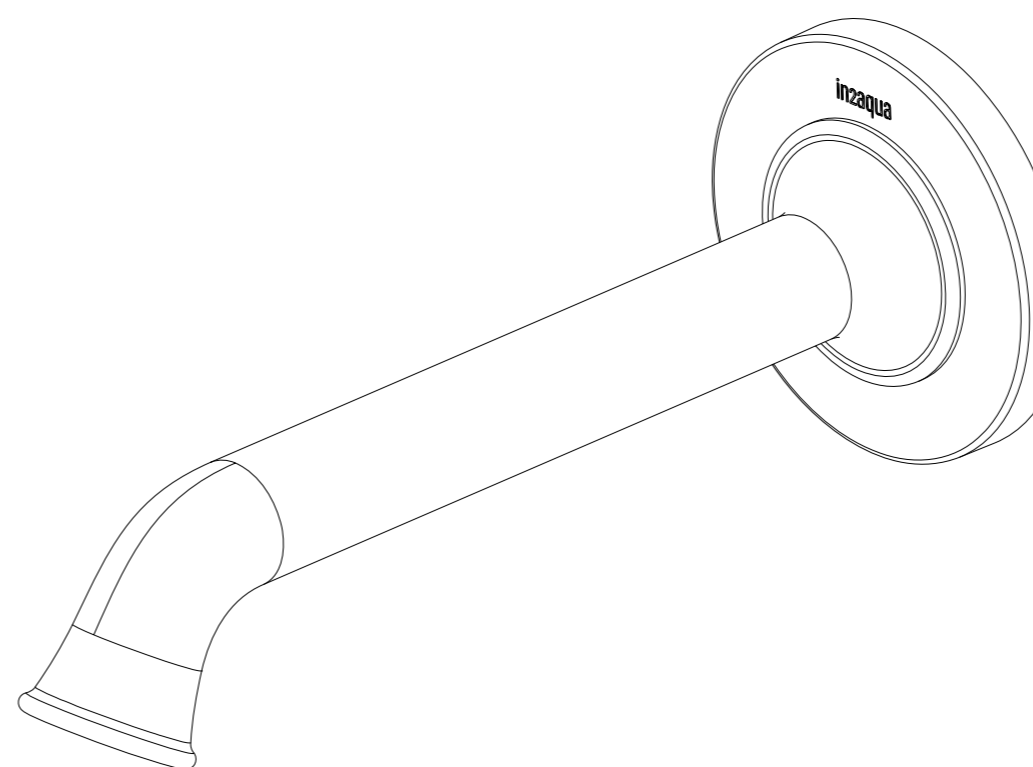
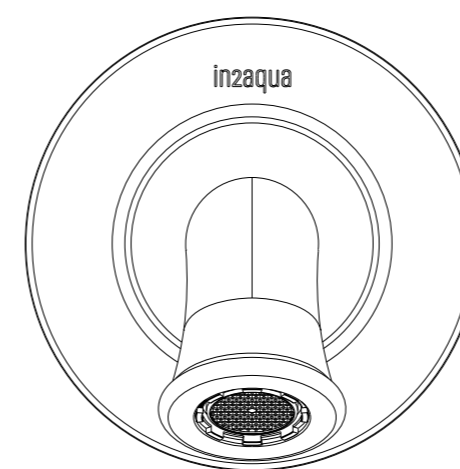
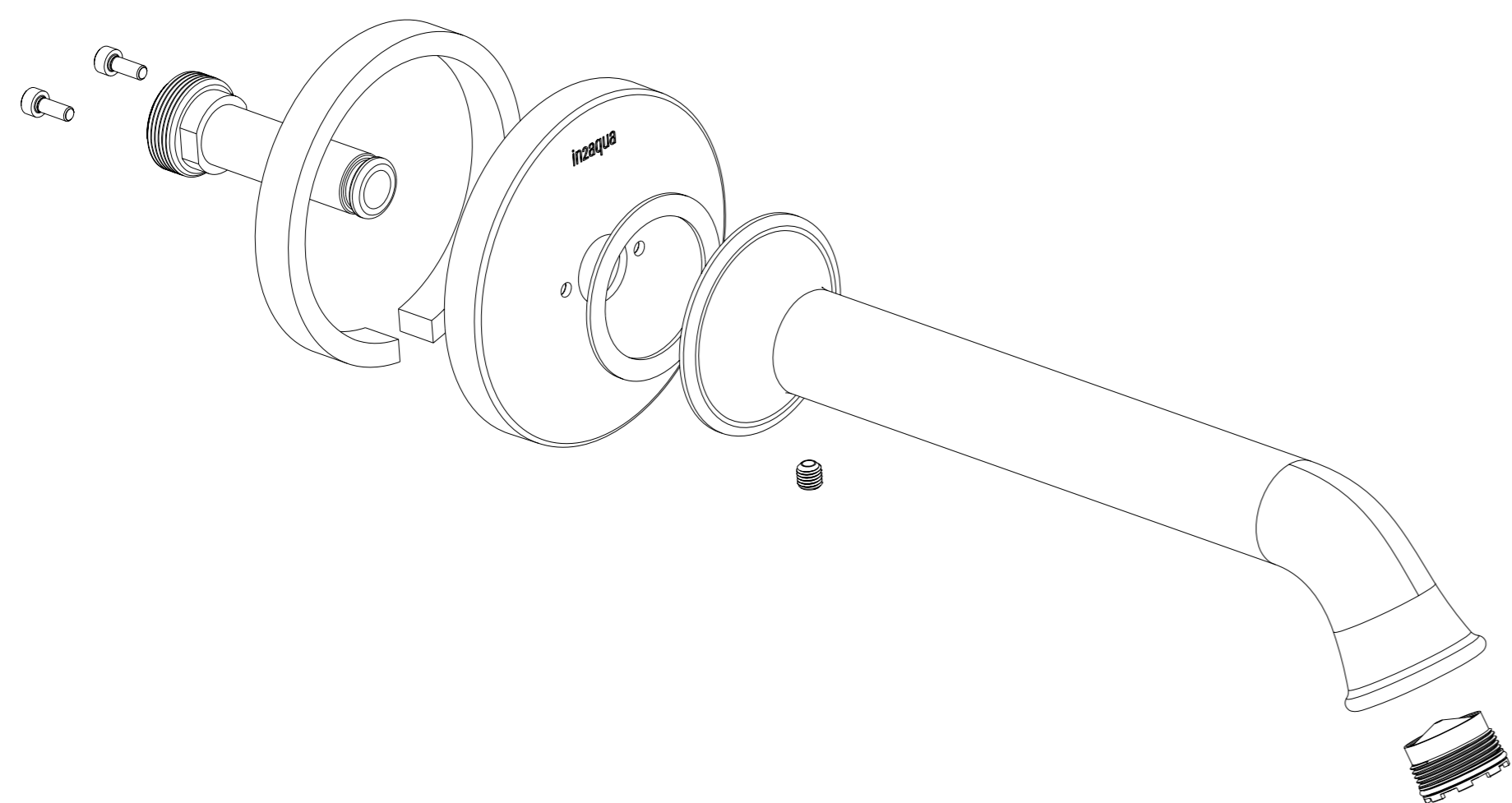
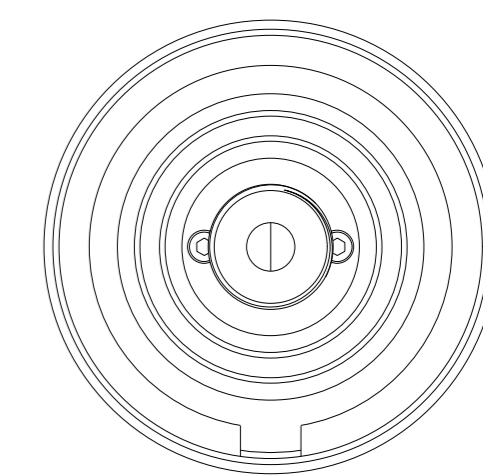
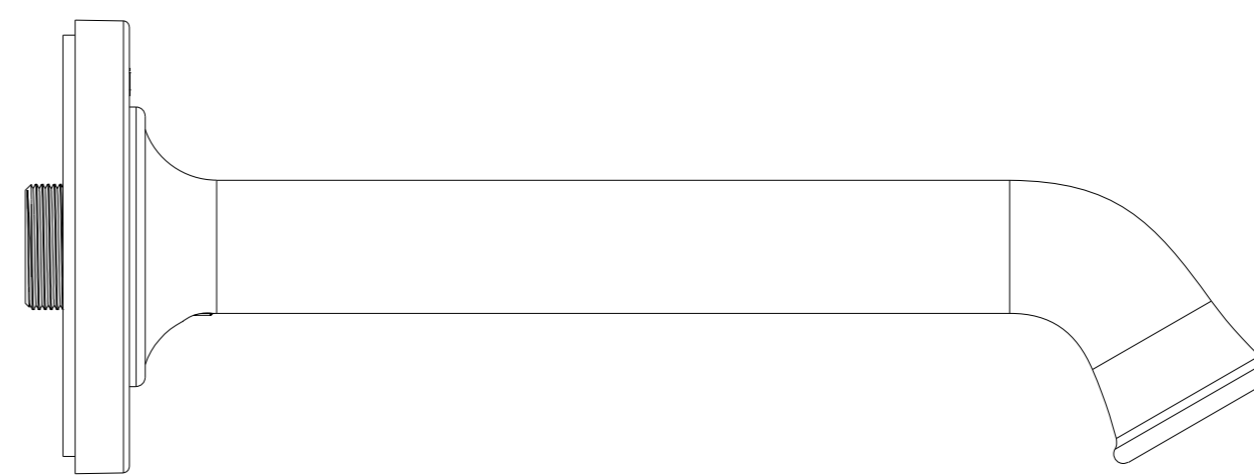
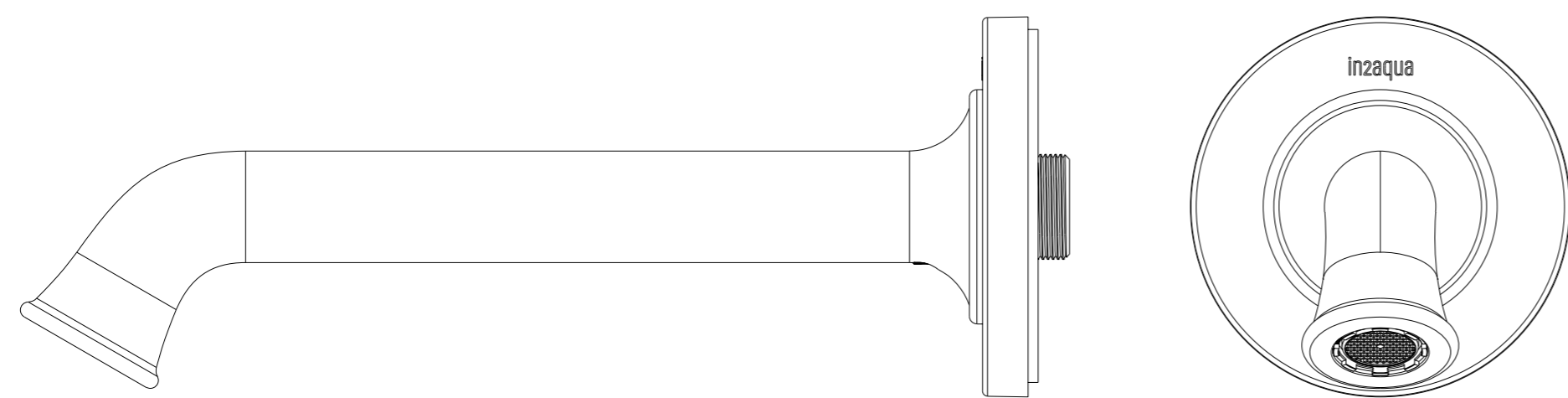
SECTION B-B

ITEM	DESCRIPTION	PART NO.	QTY
1	AERATORS M18.5X1 (NEOPERL CACHE-TJ)	C087028	1
2	2 HOLE WASHBASIN SPOUT	B87189	1
3	O RING $\varnothing 10 \times 1.8$	P87053	1
4	SET SCREW M5	S87008	1
5	WASHER $\varnothing 39 \times \varnothing 30 \times 1$	P87056	1
6	SPOUT ESCUTCHEON	Z87121	1
7	BRASS TUBE	B87093	1
8	SEAL 70X60X9	P87048	1
9	SETTING SCREW M3 X 8	S87001	2
10		DRY_BAG	1
11		INSTRUCTION_SHEET	1
12		PACKAGING	1

CLASSIC tub spout XL, 1/2"

Finish: chrome
Article number: 1036 1 00 2

Finish: brushed nickel
Article number: 1036 1 20 2



CLASSIC tub spout XL, 1/2"

Finish: chrome
Article number: 1036 1 00 2

Finish: brushed nickel
Article number: 1036 1 20 2