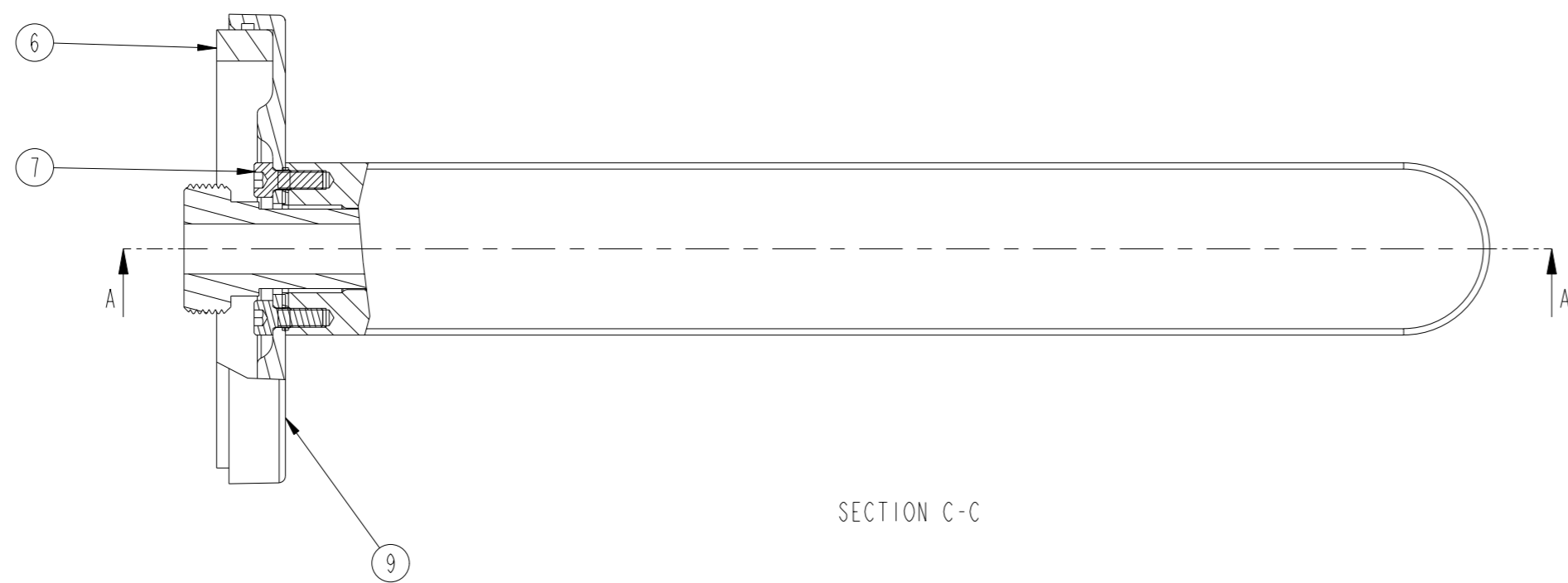
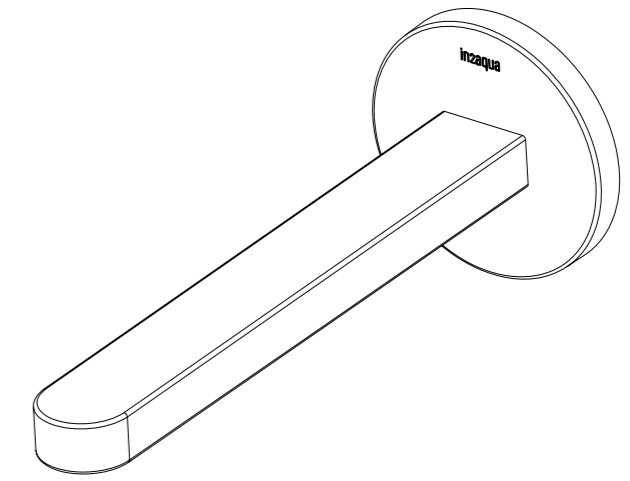


SECTION A-A



SECTION C-C



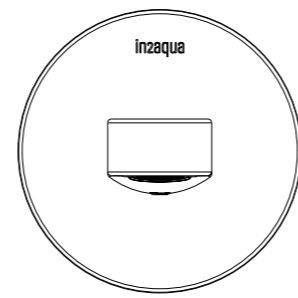
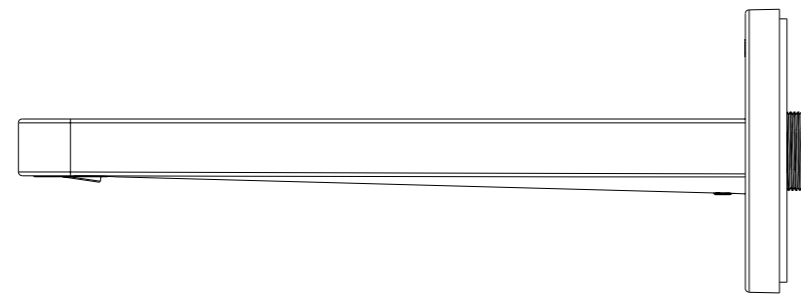
SCALE 1:2

ITEM	DESCRIPTION	PART NO.	QTY
1	AERATOR CACHE SLIM SSR M24X1SWIVEL AERATOR	C087012	1
2	2 HOLE WASHBASIN SPOUT	B87254	1
3	O RING Ø10X1.8	P87053	1
4	WASHER	P87066	1
5	BRASS TUBE	B87093	1
6	SEAL 70X60X9	P87048	1
7	SETTING SCREW M3 X 8	S87001	2
8	SET SCREW M5	S87008	1
9	SPOUT ESCUTCHEON	Z87121	1
10		DRY_BAG	1
11		INSTRUCTION_SHEET	1
12		PACKAGING	1

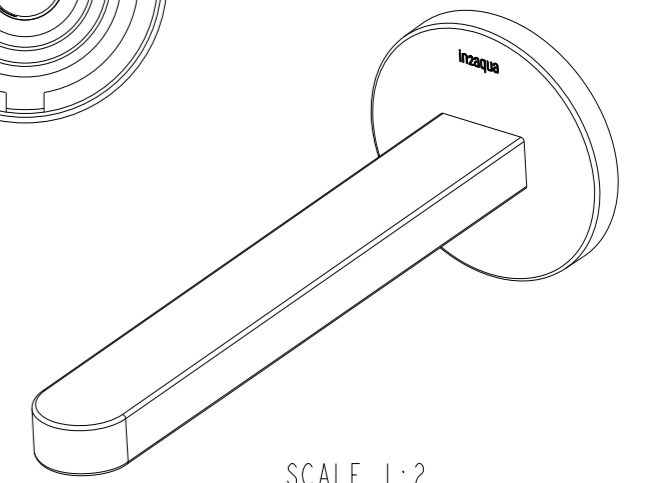
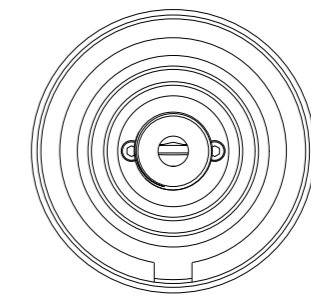
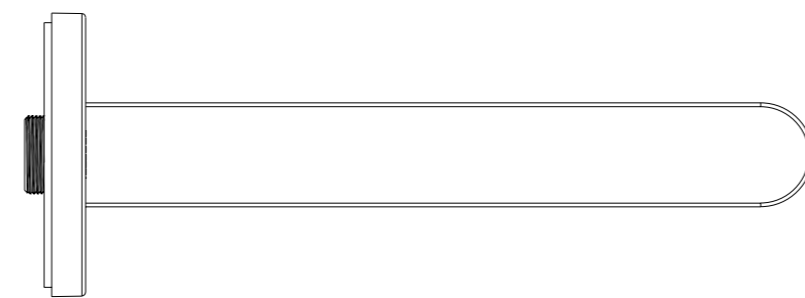
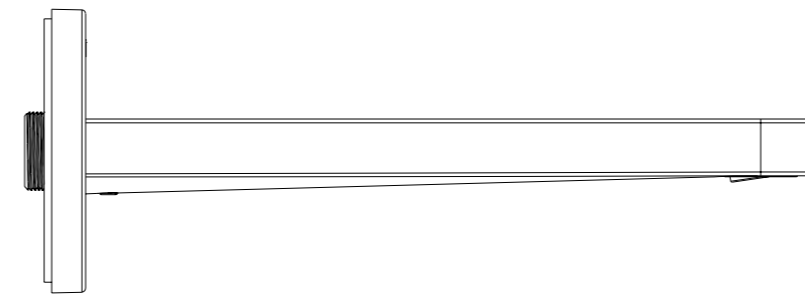
**EDGE tub spout XL, 1/2"**

Finish: chrome  
Article number: 1037 1 00 2

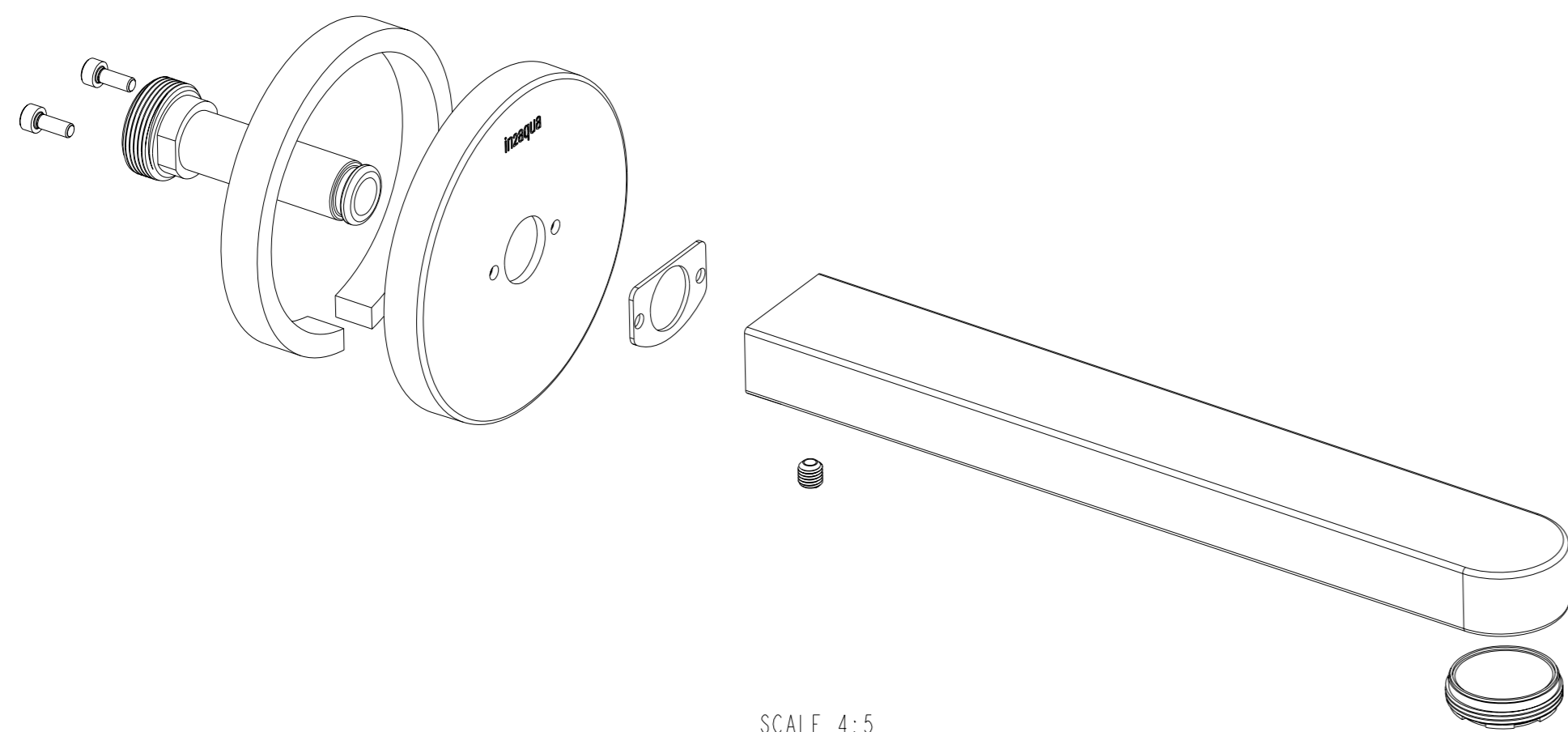
Finish: brushed nickel  
Article number: 1037 1 20 2



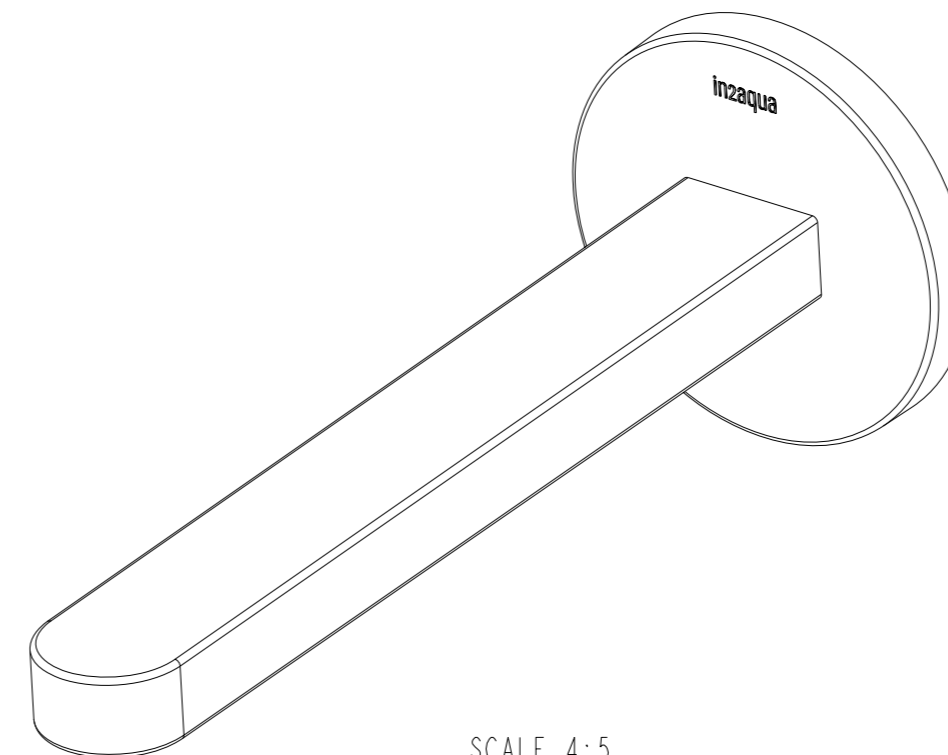
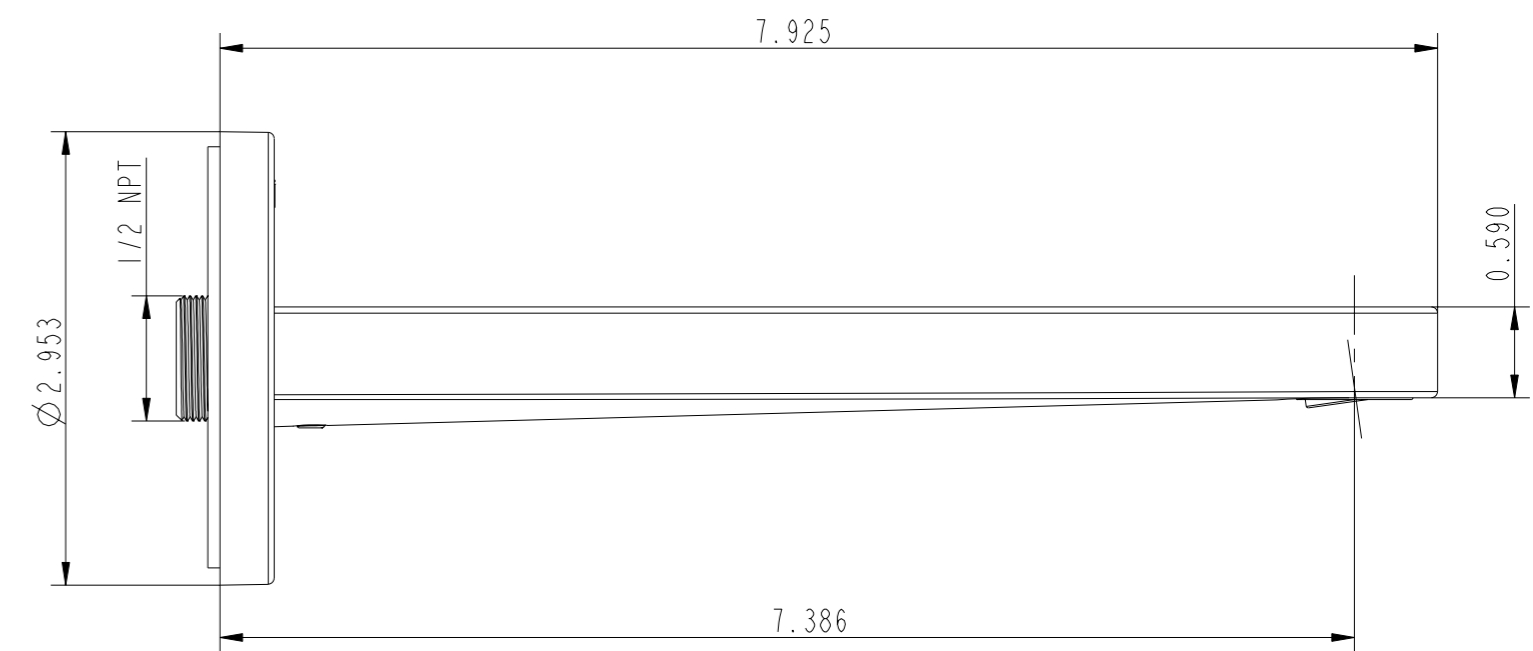
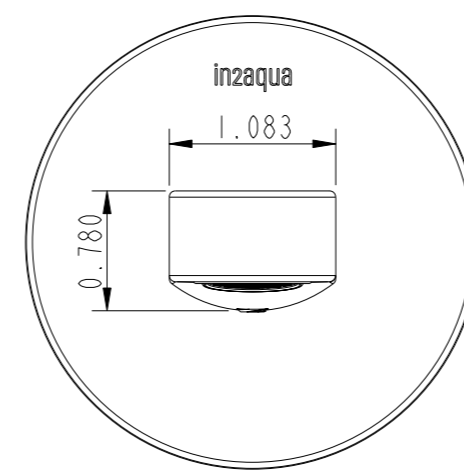
SCALE 1:2



SCALE 1:2



SCALE 4:5



SCALE 4:5

**EDGE tub spout XL, 1/2"**

Finish: chrome  
Article number: 1037 1 00 2

Finish: brushed nickel  
Article number: 1037 1 20 2