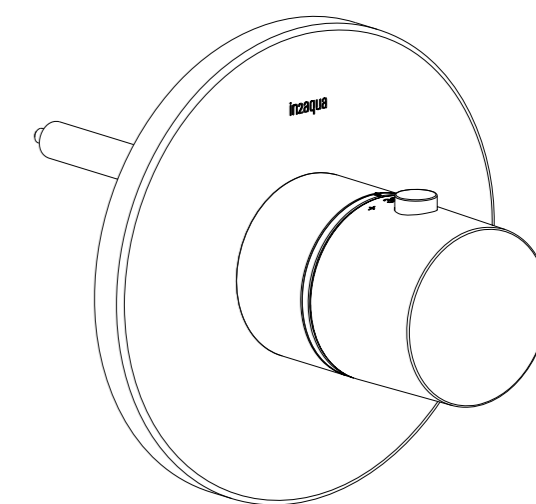
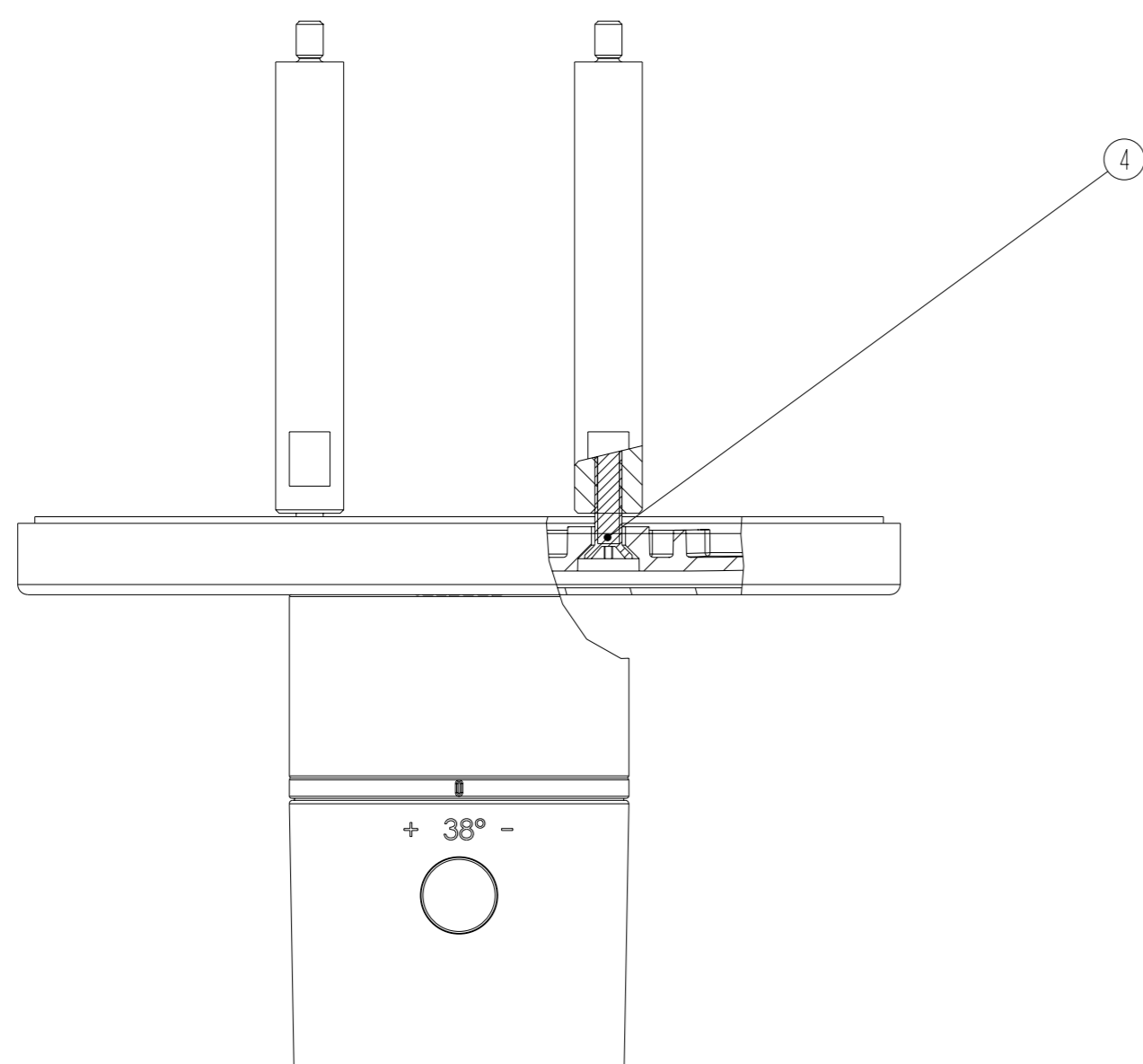


SECTION A-A



SCALE 1:2



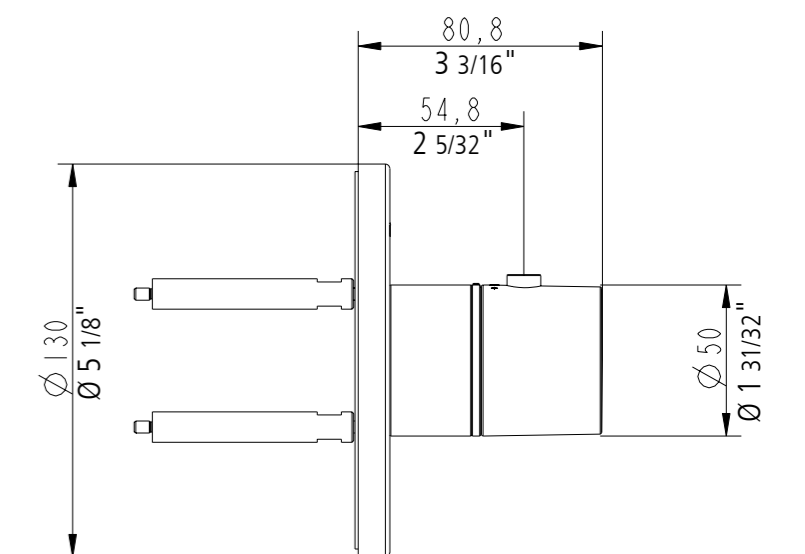
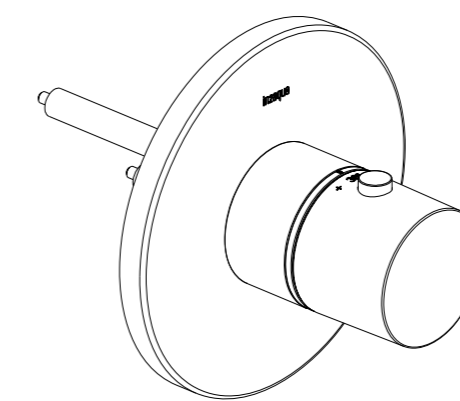
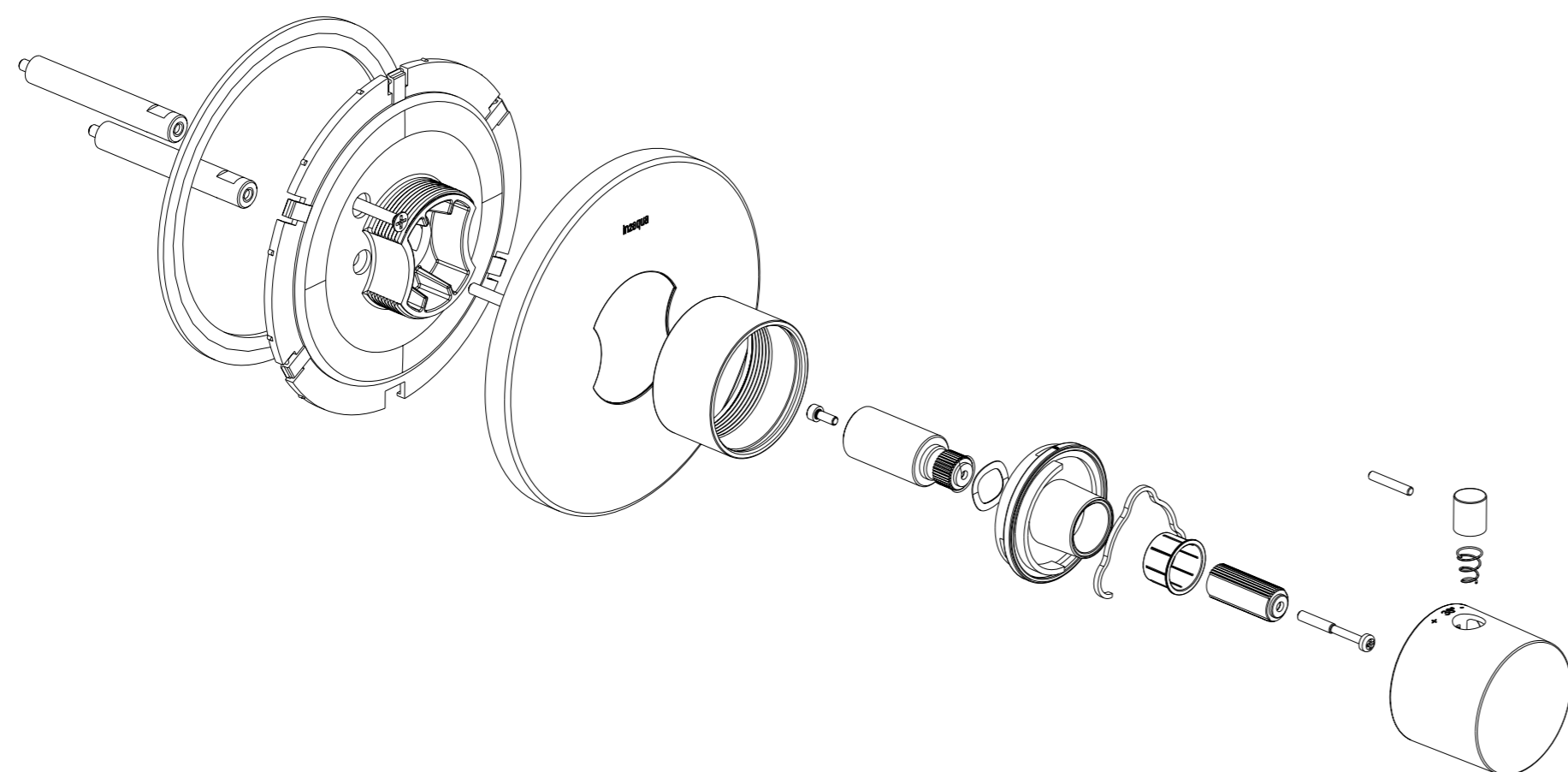
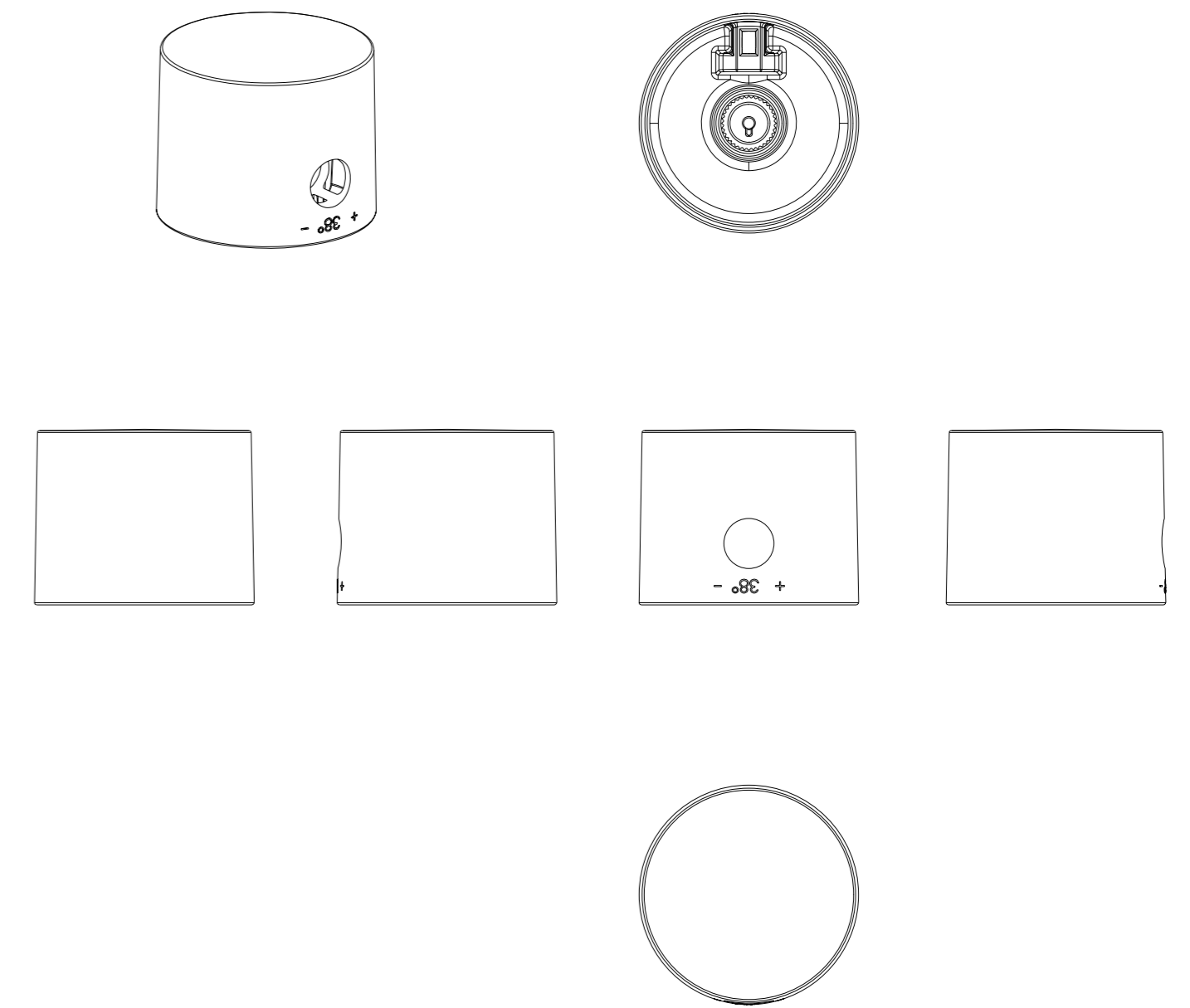
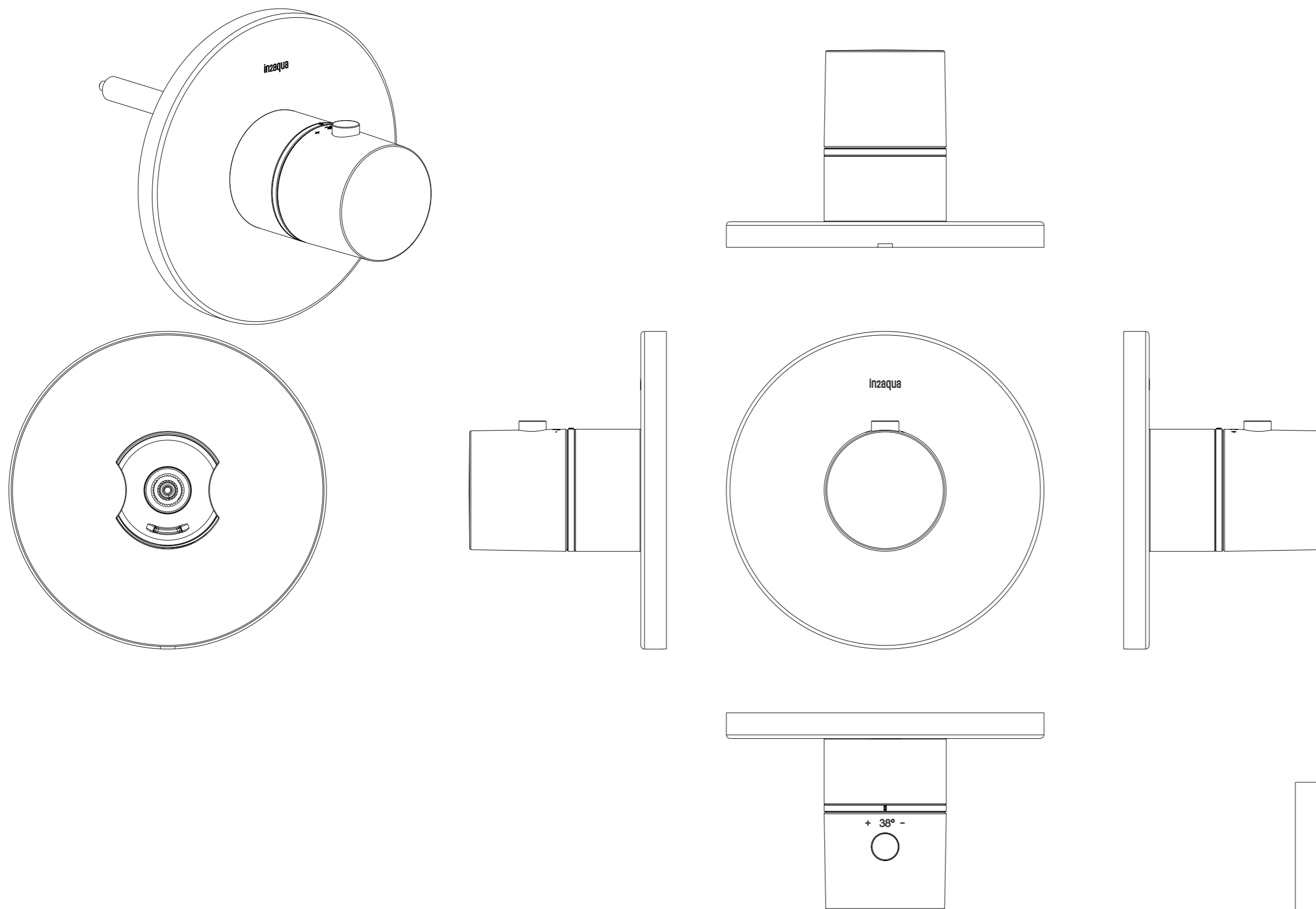
SECTION B-B

ITEM	DESCRIPTION	PART NO.	QTY
1	ESCUTCHEON Thermostat	B87003	1
2	SEAL 125X105X2.5	P87082	1
3	LINK ROD	B87004	2
4	SCREW M4 X 25	S87005	2
5	SCREW M3.5 X 30	S87004	1
6	ESCUTCHEON HOLDER	P87018	1
7	BAR	B87006	1
8	COLUMNAR COVER	B87005	1
9	BAU_THERMOSTATE_KAPPEN	P87081	1
10	SPRING WASHER	B87090	1
11	KNOB	Z87001	1
12	BUSHING	P87007	1
13	SETTING SCREW M3 X 8	S87001	1
14	SPRING	S87013	1
15	BRASS PIN	B87008	1
16	PRESS BUTTON	B87007	1
17	HANDLE ADAPTER	P87002	1
18	FEDER	S87014	1
19		DRY_BAG	1
20		INSTRUCTION_SHEET	1
21		PACKAGING	1

**thermostatic valve trim kit**

Finish: chrome  
Article number: 1040 2 00 0

Finish: brushed nickel  
Article number: 1040 2 20 0



**thermostatic valve trim kit**

Finish: chrome  
Article number: 1040 2 00 0

Finish: brushed nickel  
Article number: 1040 2 20 0