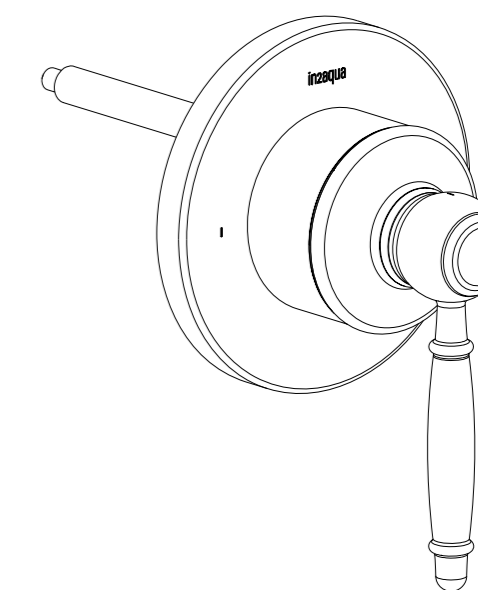
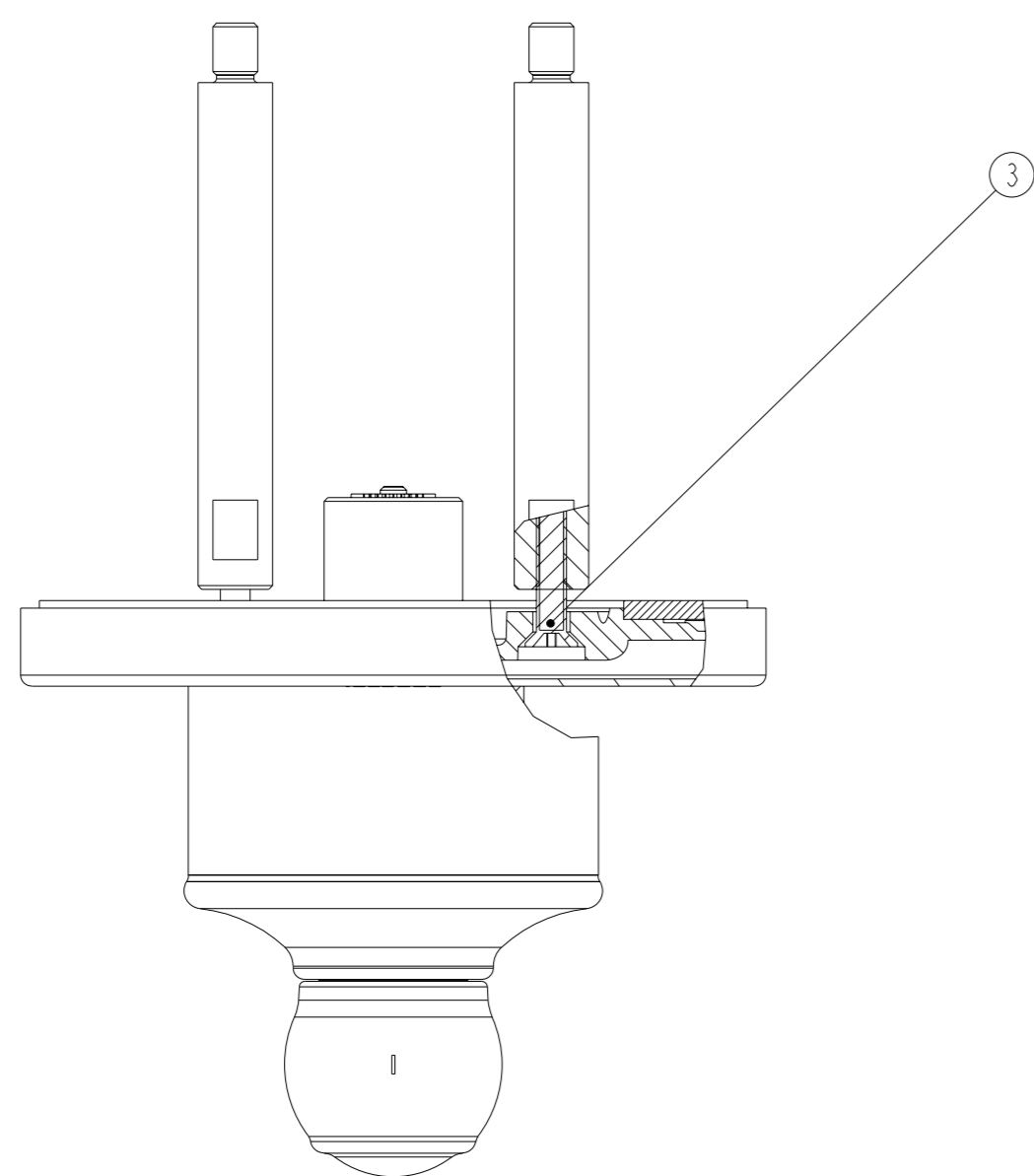


SECTION A-A



SCALE 1:2



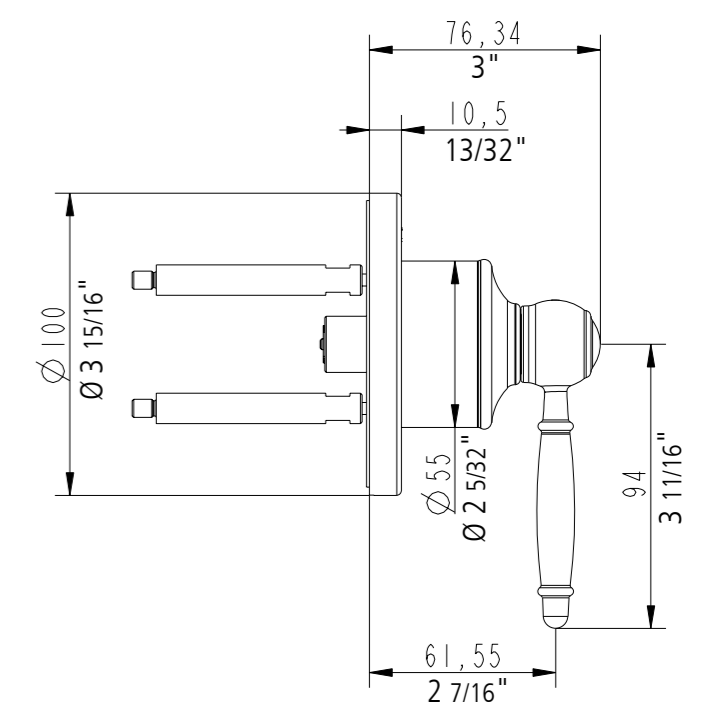
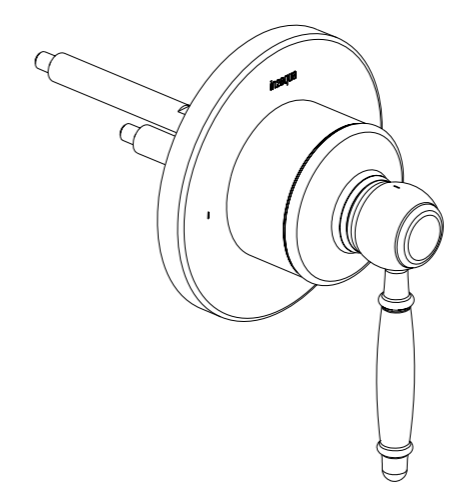
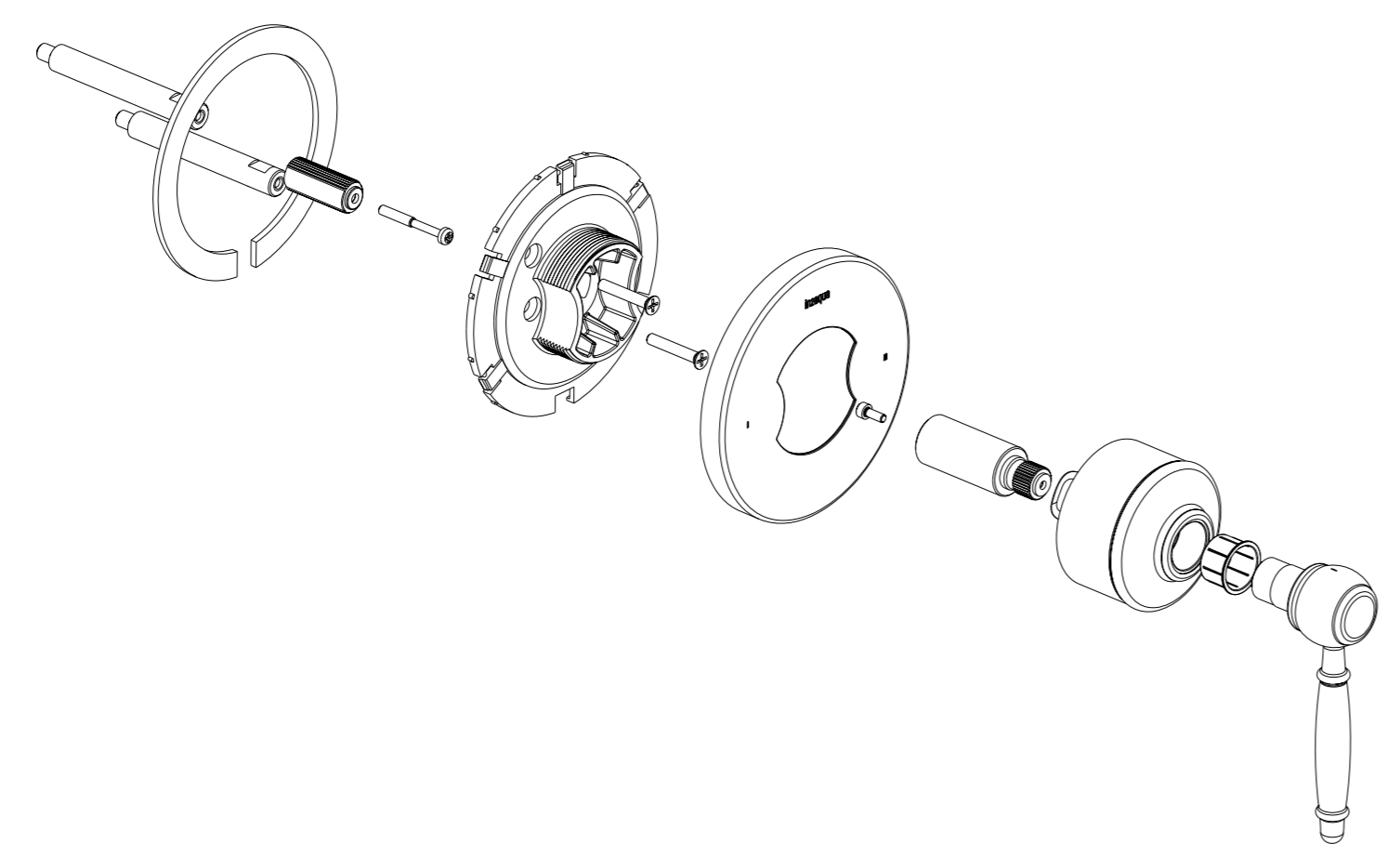
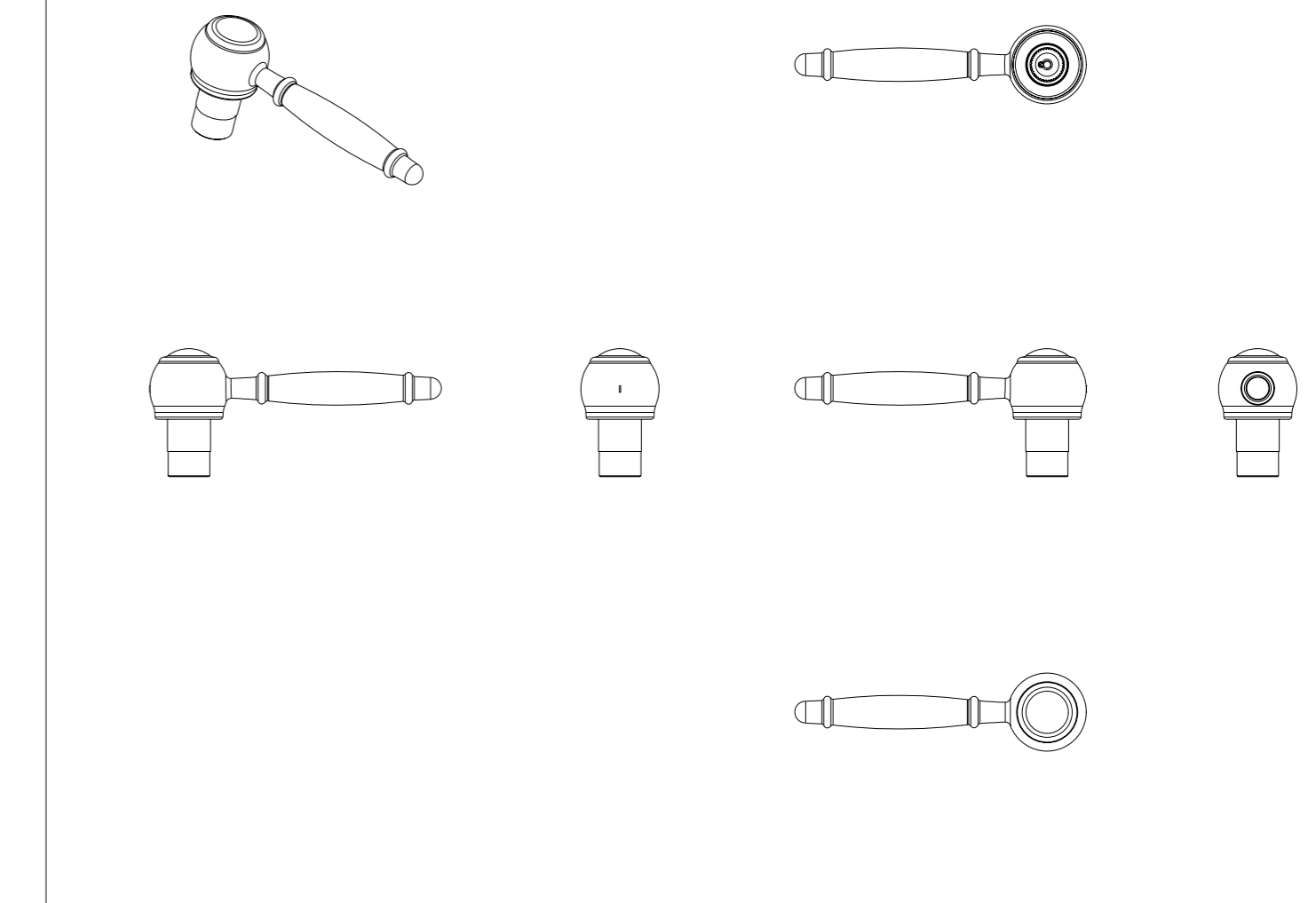
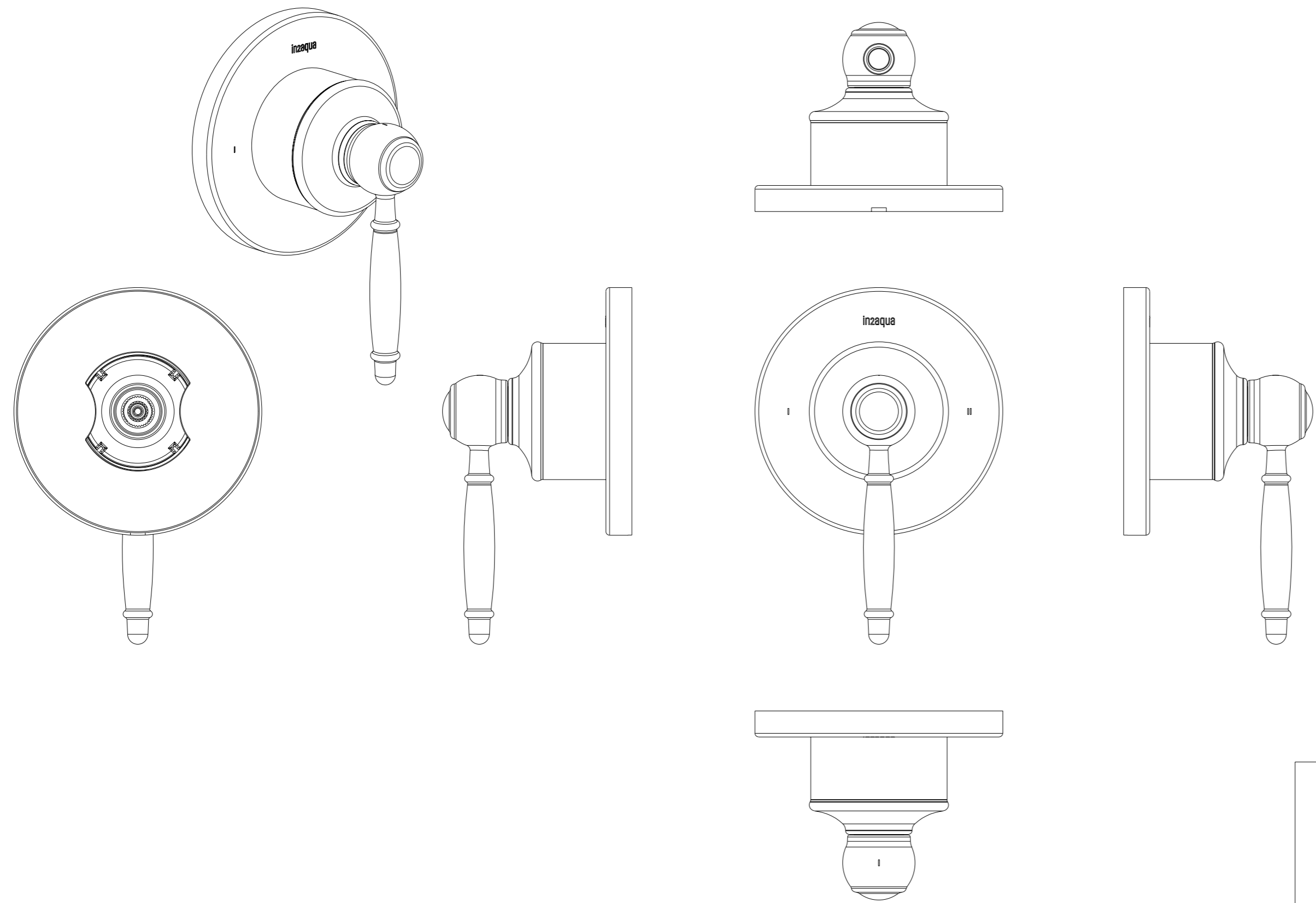
SECTION B-B

ITEM	DESCRIPTION	PART NO.	QTY
1	ESCUTCHEON OF DIVERTER	B87001	1
2	SEAL 95X75X2.5	P87006	1
3	SCREW M4 X 25	S87005	2
4	LINK ROD	B87002	2
5	SCREW M3.5 X 30	S87004	1
6	ESCUTCHEON HOLDER	P87001	1
7	CLASSIC HANDLE PRESSURE BALANCE	Z87007	1
8	SPRING WASHER	B87090	1
9	SETTING SCREW M3 X 8	S87001	1
10	BUSHING	P87007	1
11	CLASSIC CARTRIDGE COVER PRESSURE	Z87008	1
12	BAR	B87039	1
13	HANDLE ADAPTER	P87002	1
14		DRY_BAG	1
15		INSTRUCTION_SHEET	1
16		PACKAGING	1

**CLASSIC motion 2-way diverter trim kit, with shutoff**

Finish: chrome  
Article number: 1041 2 00 2

Finish: brushed nickel  
Article number: 1041 2 20 2



**CLASSIC motion 2-way diverter trim kit, with shutoff**

Finish: chrome  
 Article number: 1041 2 00 2

Finish: brushed nickel  
 Article number: 1041 2 20 2

