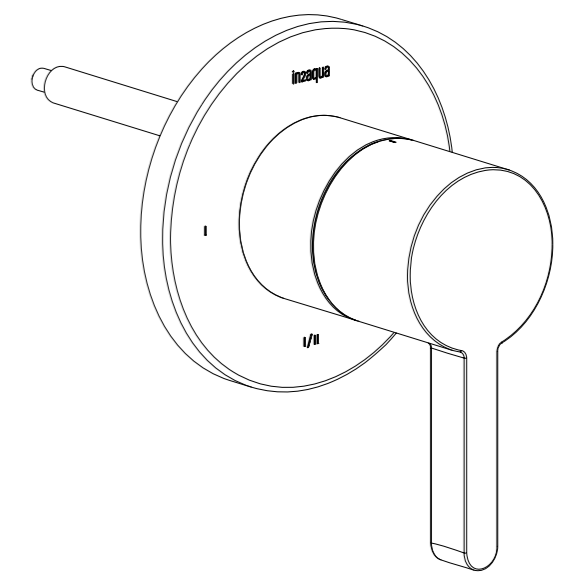
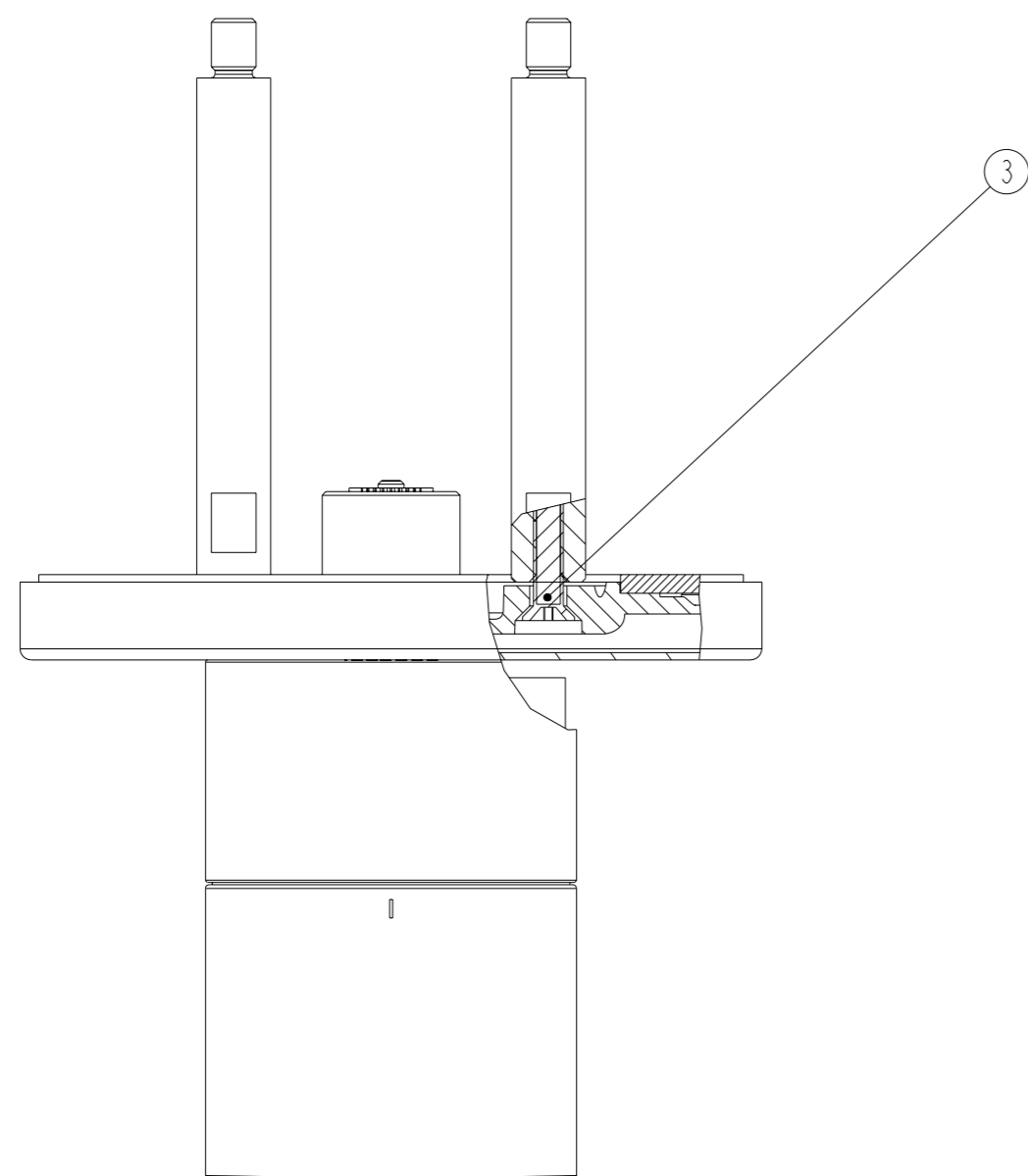


SECTION A-A



SCALE 1:2



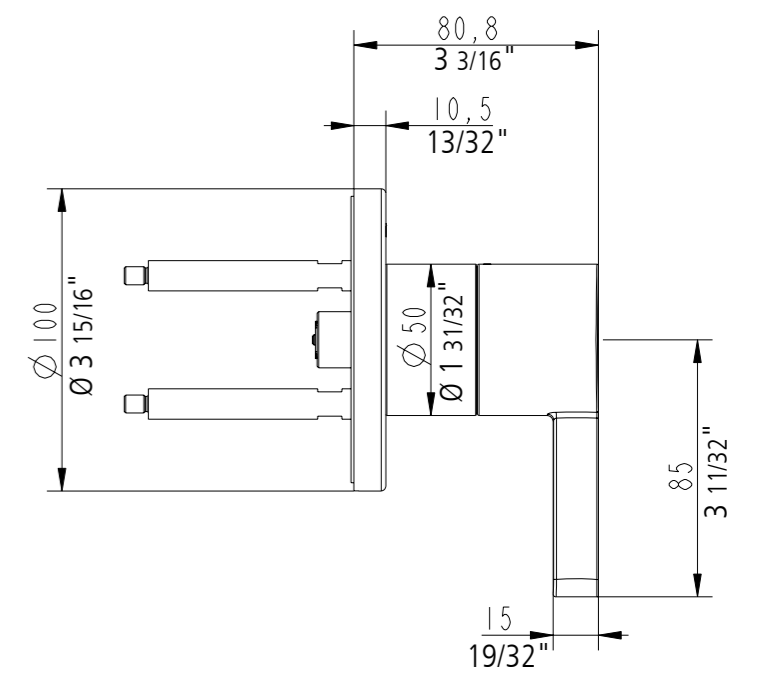
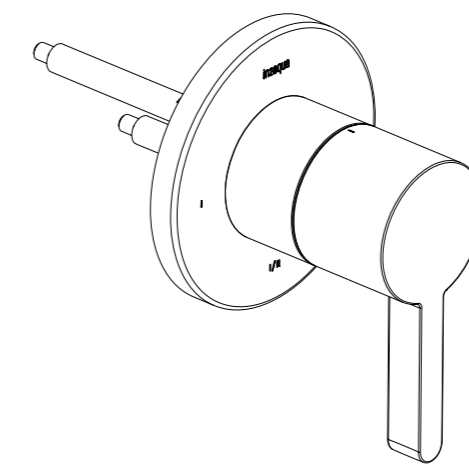
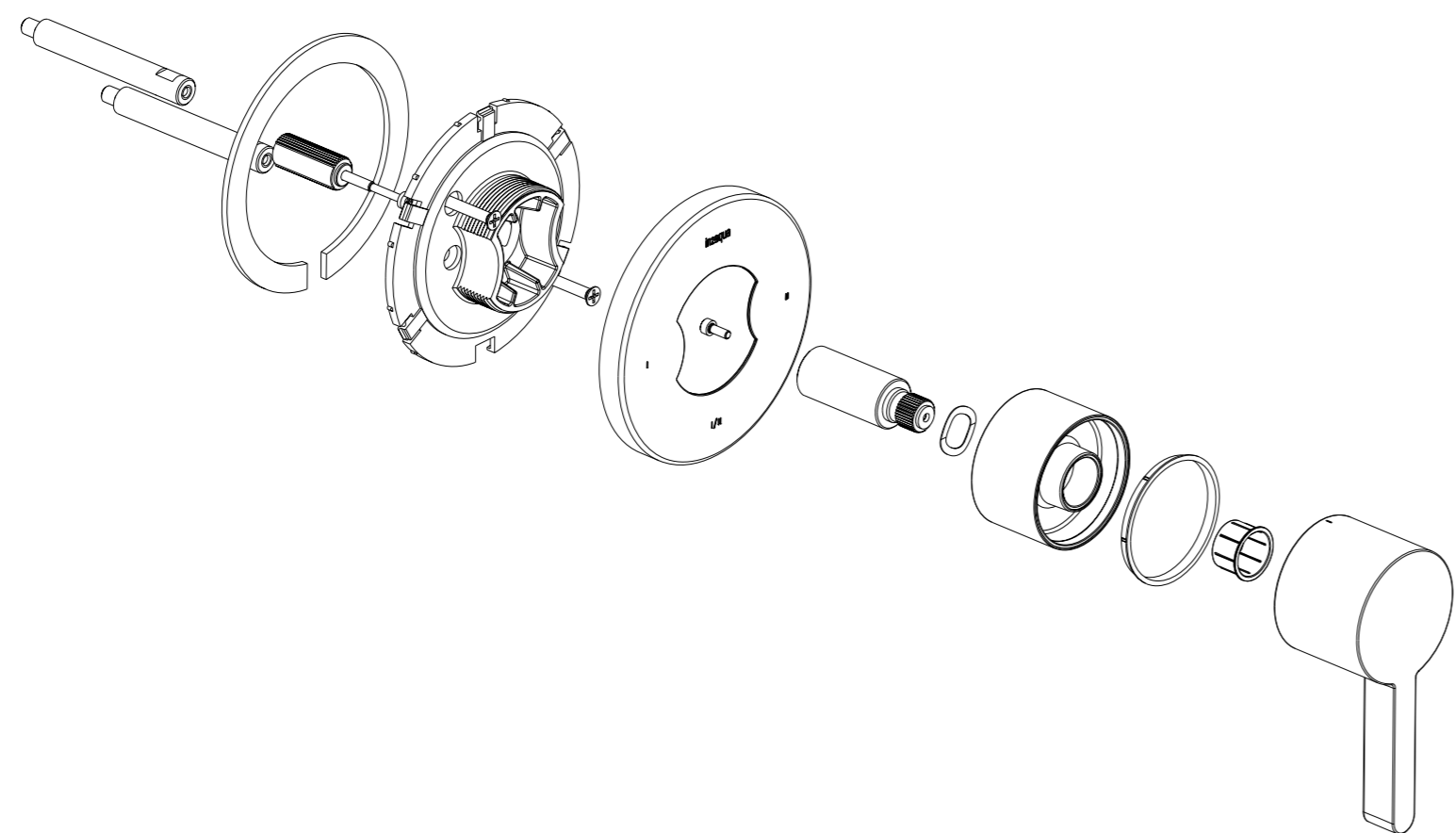
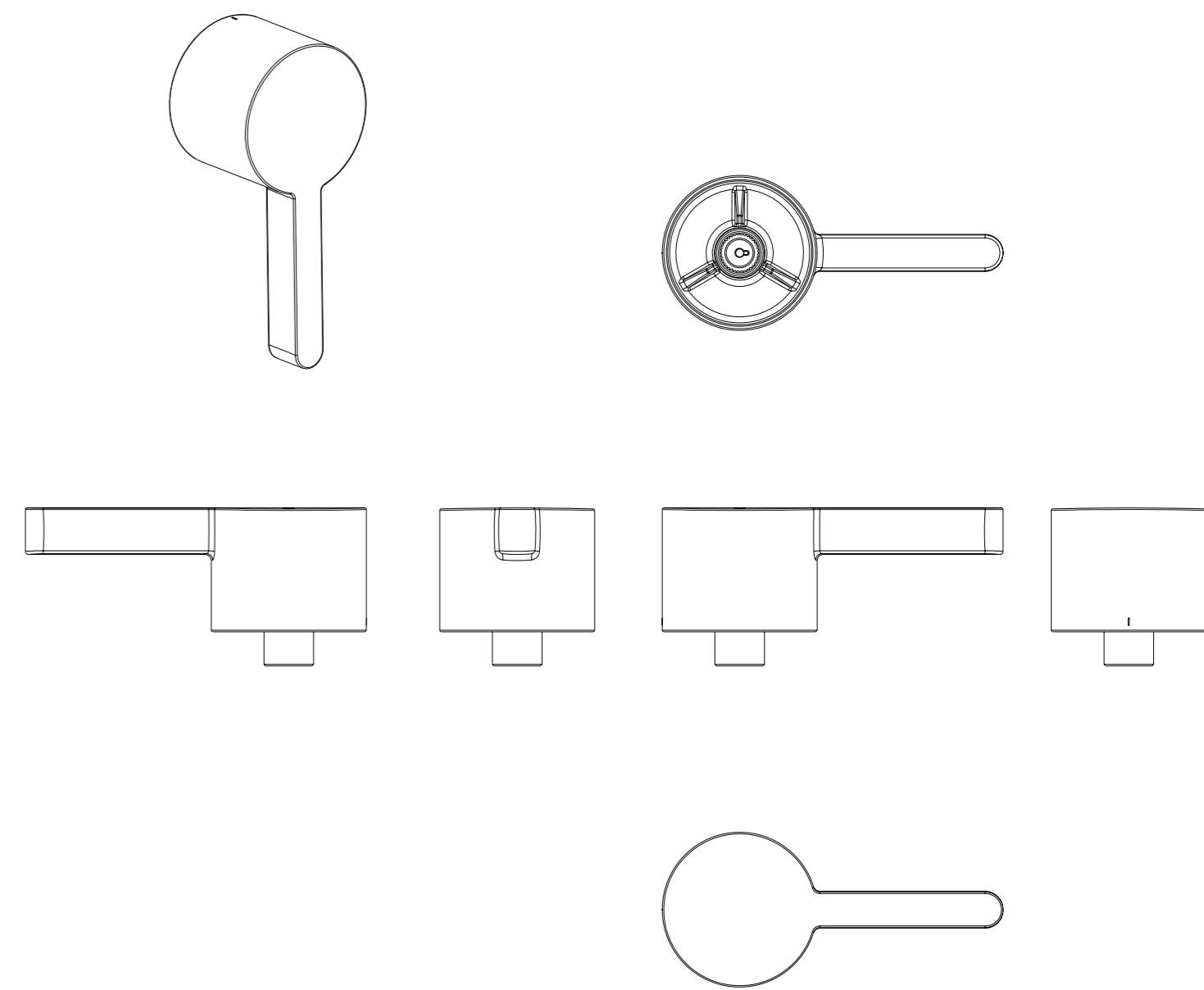
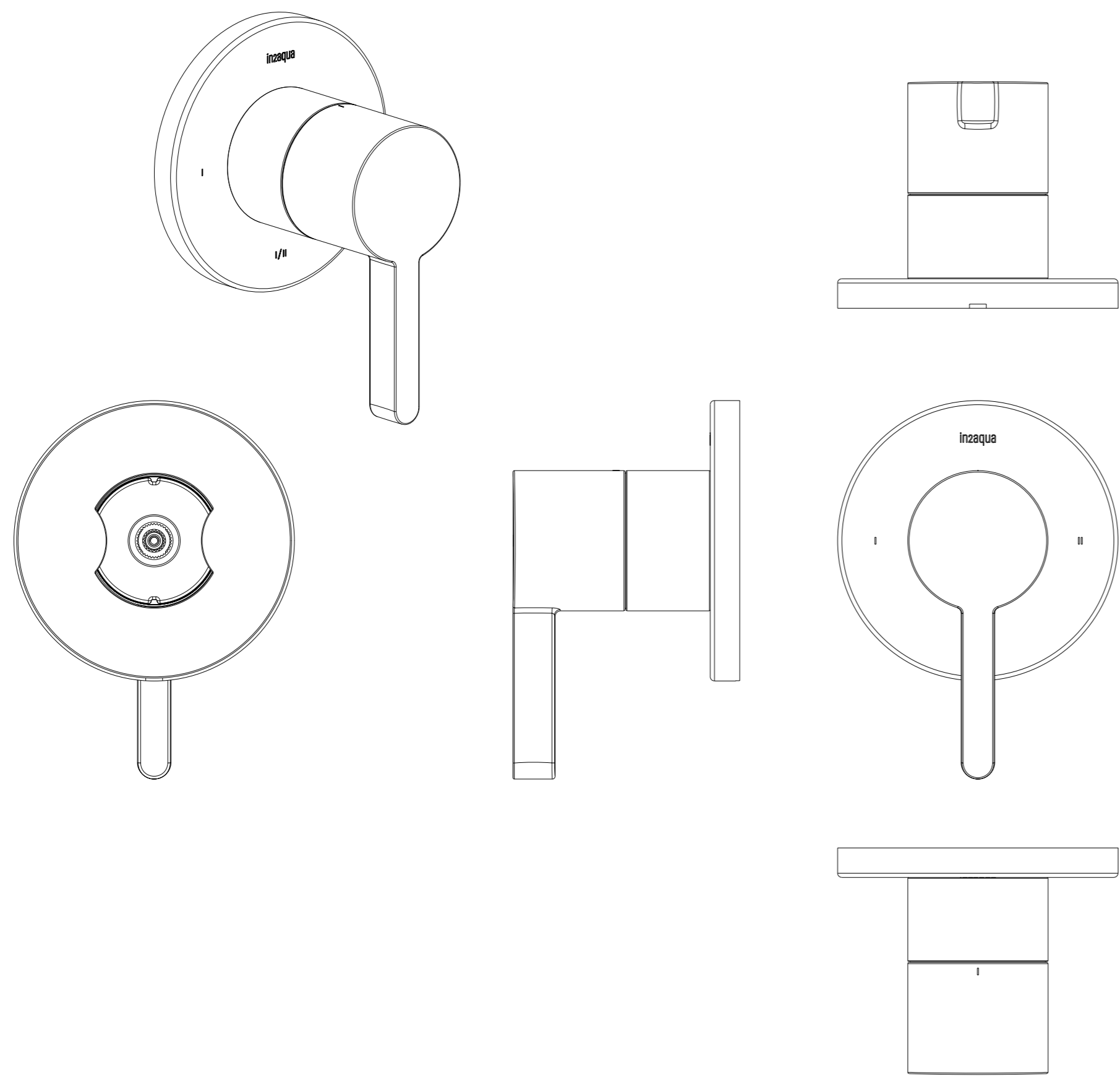
SECTION B-B

| ITEM | DESCRIPTION                       | PART NO.          | QTY |
|------|-----------------------------------|-------------------|-----|
| 1    | ESCUTCHEON OF DIVERTER            | B87001            | 1   |
| 2    | SEAL 95X75X2.5                    | P87006            | 1   |
| 3    | SCREW M4 X 25                     | S87005            | 2   |
| 4    | LINK ROD                          | B87002            | 2   |
| 5    | SCREW M3.5 X 30                   | S87004            | 1   |
| 6    | ESCUTCHEON HOLDER                 | P87001            | 1   |
| 7    | EDGE HANDLE BASE PRESSURE BALANCE | Z87013            | 1   |
| 8    | EDGE HANDLE PRESSURE BALANCE      | Z87012            | 1   |
| 9    | SPRING WASHER                     | B87090            | 1   |
| 10   | SETTING SCREW M3 X 8              | S87001            | 1   |
| 11   | BUSHING                           | P87007            | 1   |
| 12   | BAR                               | B87039            | 1   |
| 13   | EDGE BEARING PRESSURE BALANCE     | P87019            | 1   |
| 14   | HANDLE ADAPTER                    | P87002            | 1   |
| 15   |                                   | DRY_BAG           | 1   |
| 16   |                                   | INSTRUCTION_SHEET | 1   |
| 17   |                                   | PACKAGING         | 1   |

**EDGE motion 2-way diverter trim kit, with shutoff**

Finish: chrome  
Article number: 1042 2 00 0

Finish: brushed nickel  
Article number: 1042 2 20 0



**EDGE motion 2-way diverter trim kit, with shutoff**

Finish: chrome  
Article number: 1042 2 00 0

Finish: brushed nickel  
Article number: 1042 2 20 0