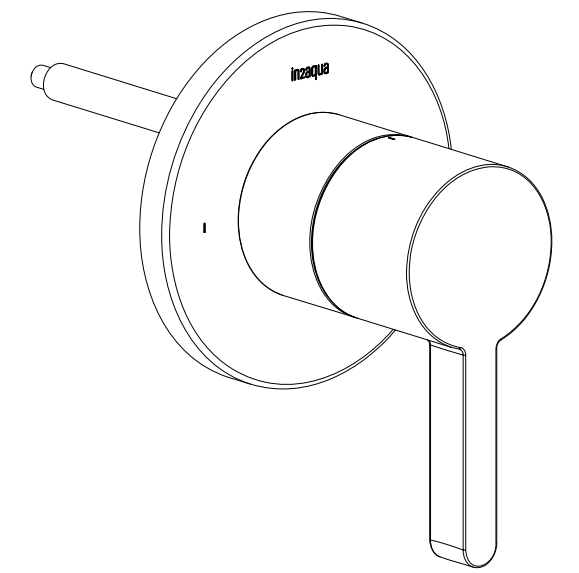
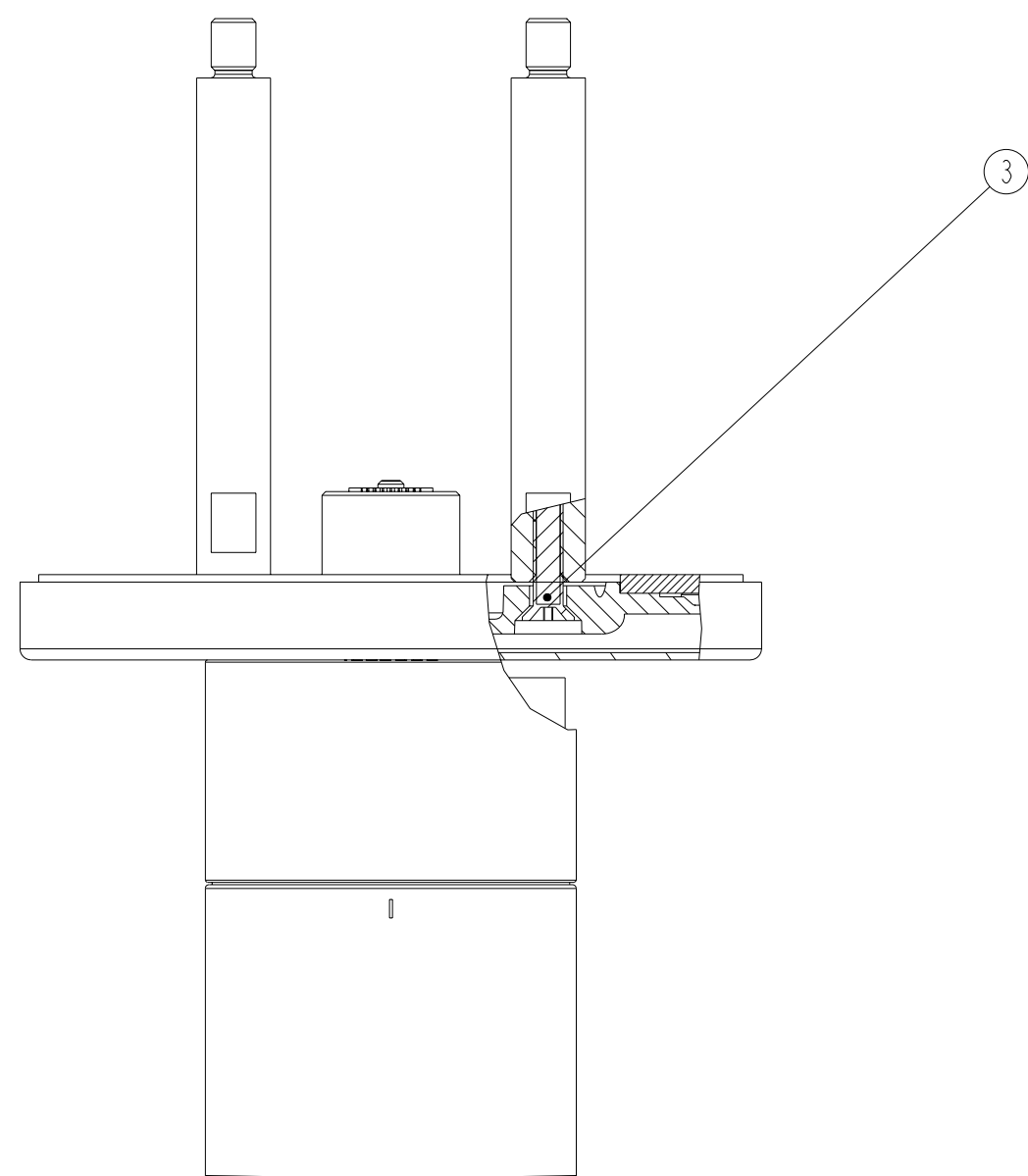


SECTION A-A



SCALE 1:2



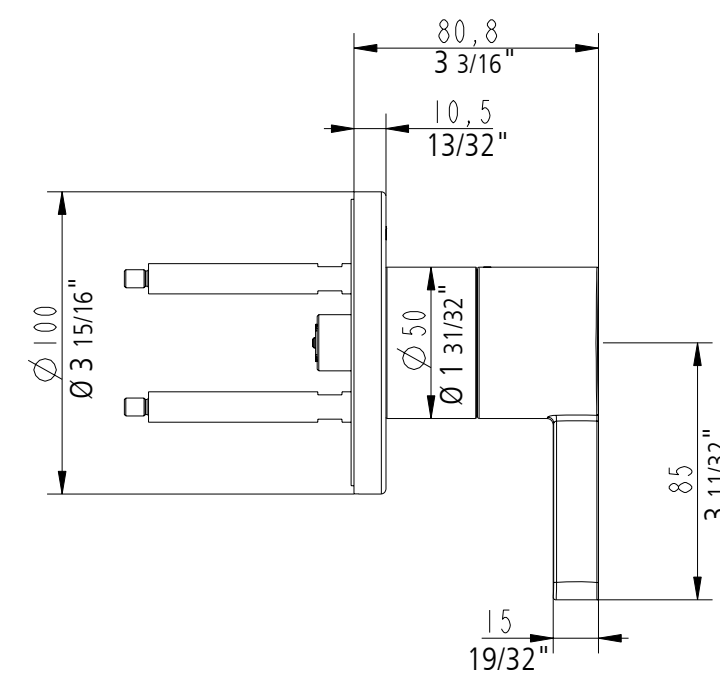
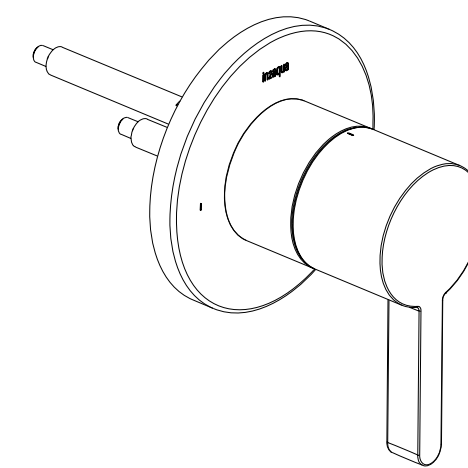
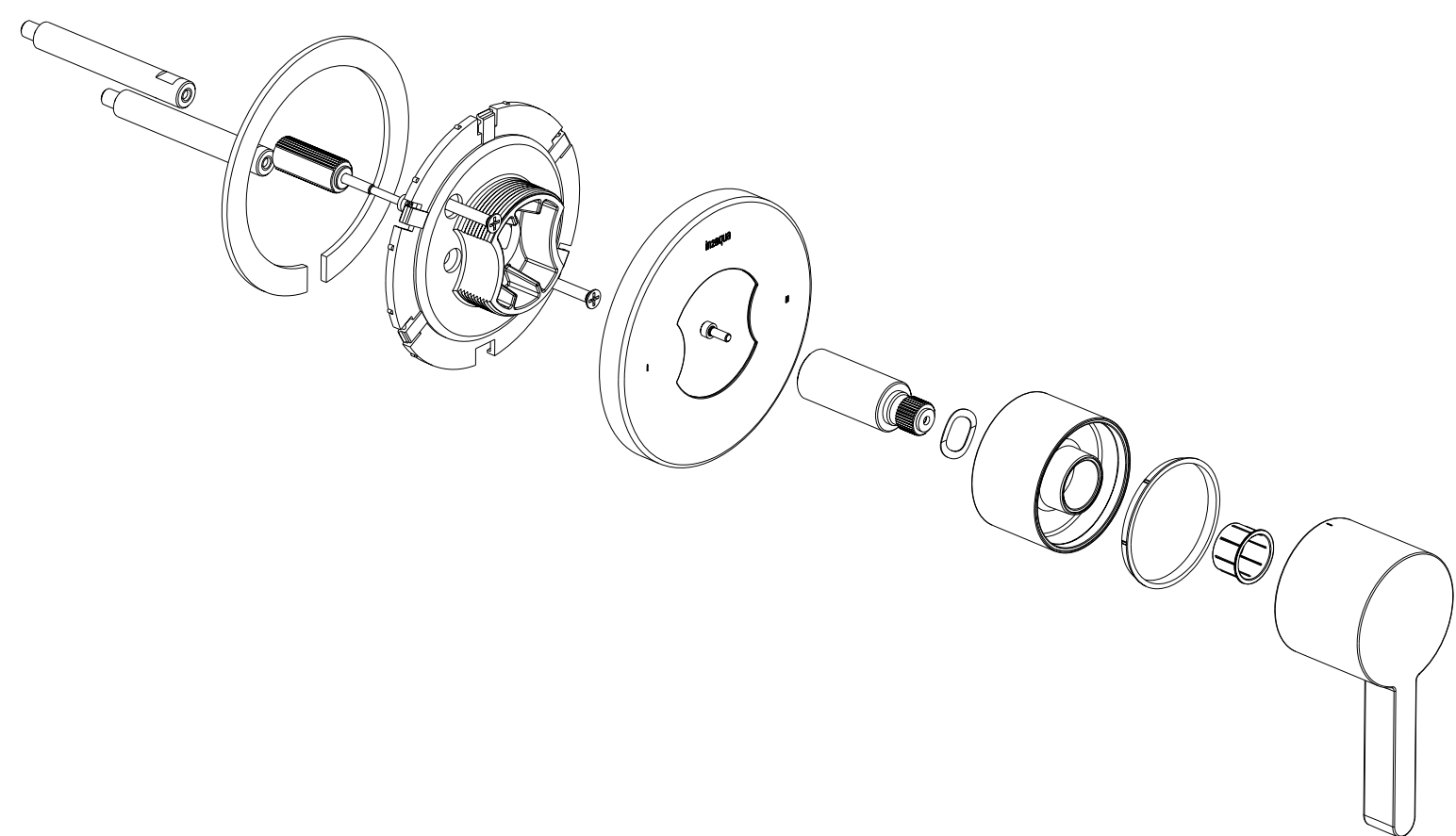
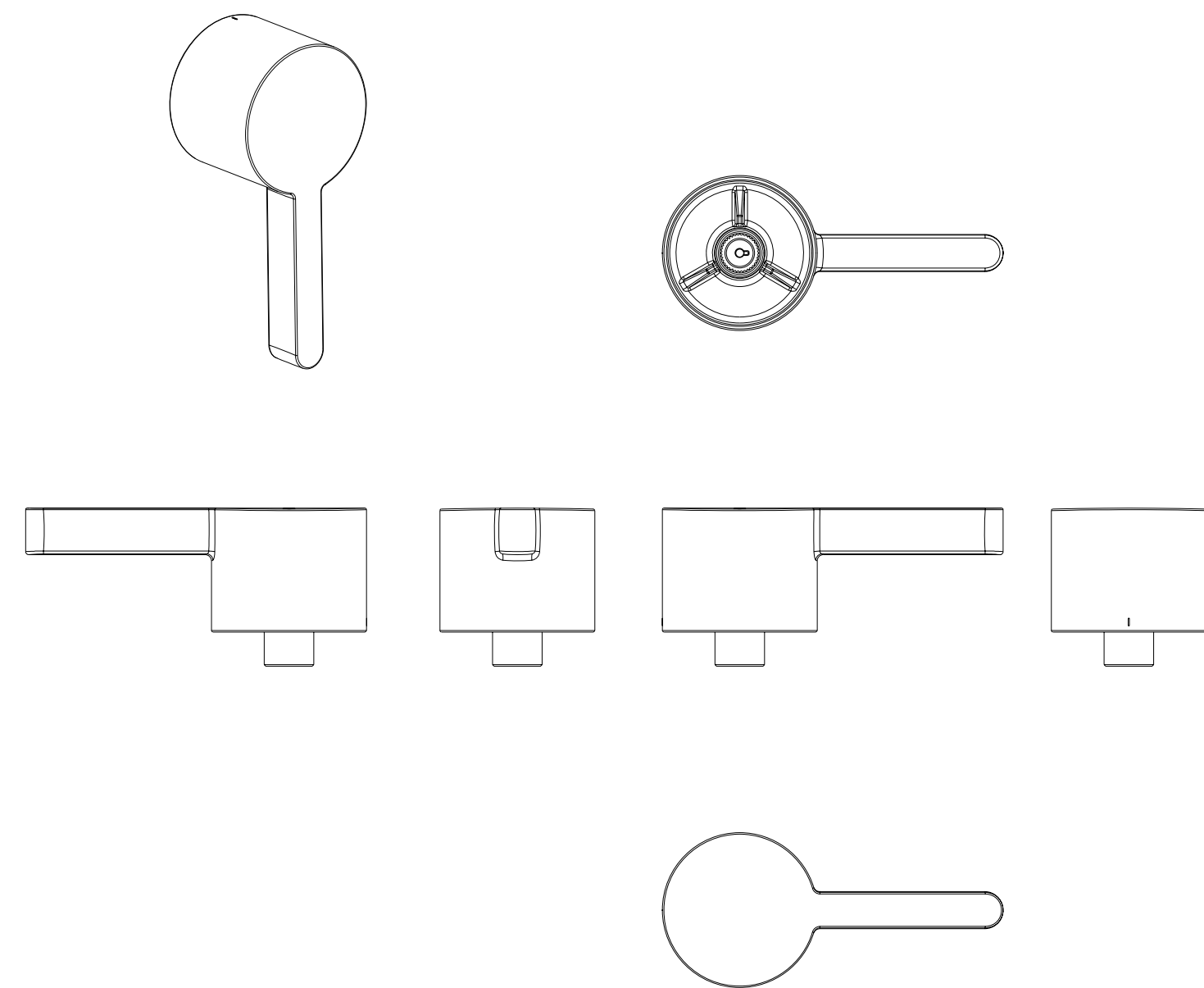
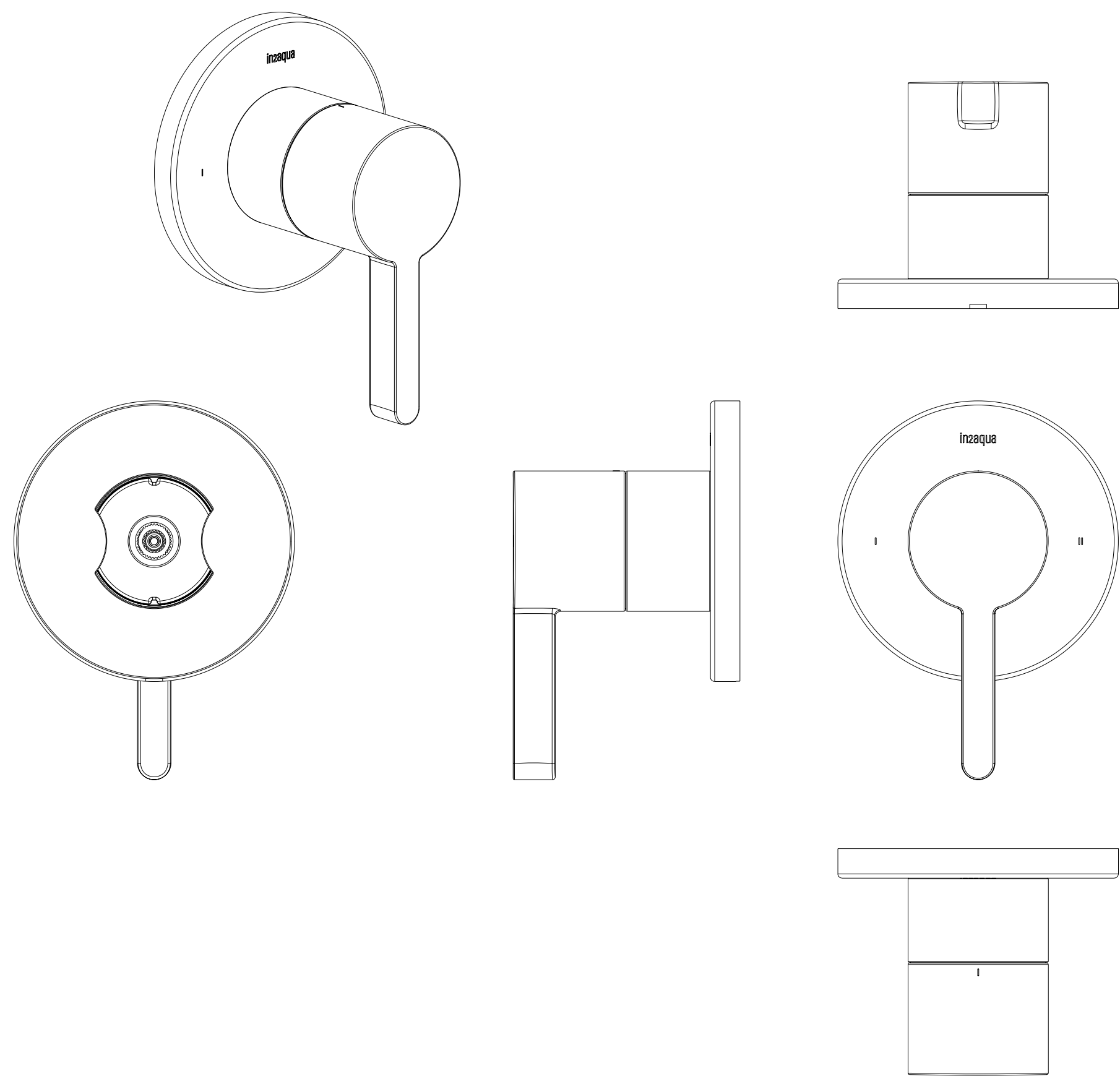
SECTION B-B

ITEM	DESCRIPTION	PART NO.	QTY
1	ESCUTCHEON OF DIVERTER	B87001	1
2	SEAL 95X75X2.5	P87006	1
3	SCREW M4 X 25	S87005	2
4	LINK ROD	B87002	2
5	SCREW M3.5 X 30	S87004	1
6	ESCUTCHEON HOLDER	P87001	1
7	EDGE HANDLE BASE PRESSURE BALANCE	Z87013	1
8	EDGE HANDLE PRESSURE BALANCE	Z87012	1
9	SPRING WASHER	B87090	1
10	SETTING SCREW M3 X 8	S87001	1
11	BUSHING	P87007	1
12	BAR	B87039	1
13	EDGE BEARING PRESSURE BALANCE	P87019	1
14	HANDLE ADAPTER	P87002	1
15		DRY_BAG	1
16		INSTRUCTION_SHEET	1
17		PACKAGING	1

EDGE motion 2-way diverter trim kit, with shutoff

Finish: chrome
Article number: 1042 2 00 2

Finish: brushed nickel
Article number: 1042 2 20 2



EDGE motion 2-way diverter trim kit, with shutoff

Finish: chrome
Article number: 1042 2 00 2

Finish: brushed nickel
Article number: 1042 2 20 2

in2aqua