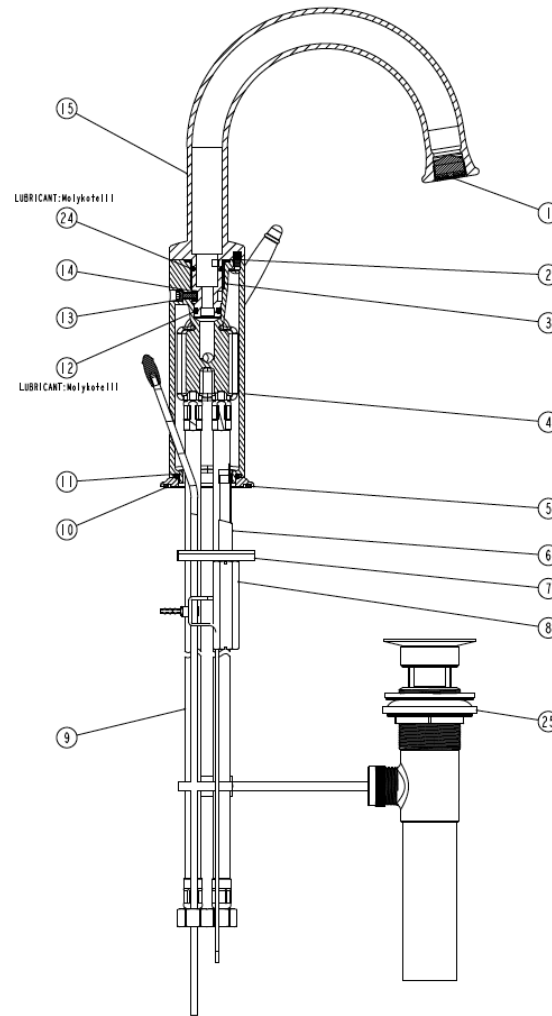
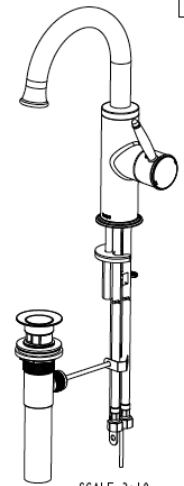
SECTION B-B
SCALE 1:2

SECTION A-A



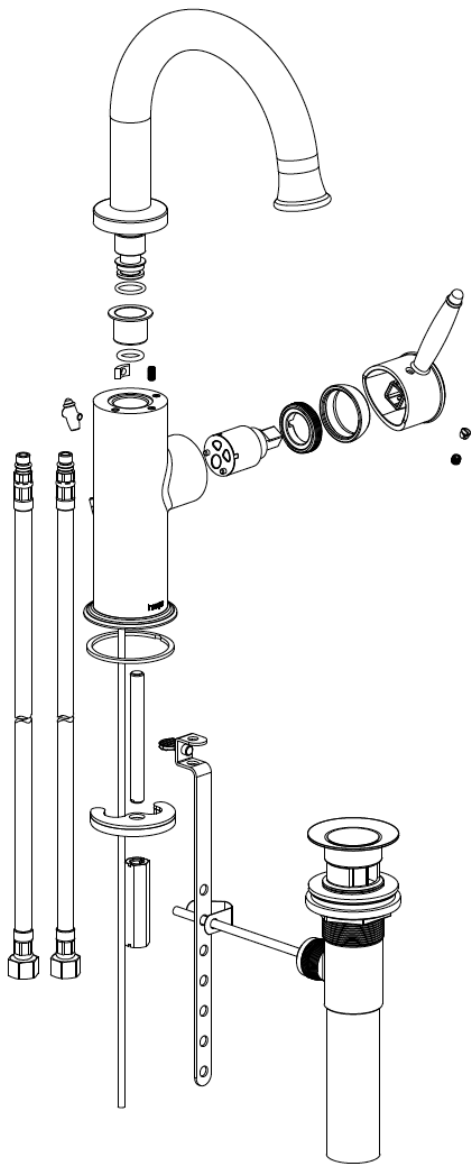
SCALE 3:10

ITEM	DESCRIPTION	PART NO.	QTY
1	AERATORS CACHE HC T.J. M 1/8. SVI PCA 1.2ppm	CO87039	1
2	SCREW MAX8	S87020	1
3	PLASTIC RING	P87026	1
4	SPOUT BASE	B87104	1
5	BASE RING	B87085	1
6	BOLT M8	B87022	1
7	FIXATION PLATE	CO87002	1
8	FIXATION NUT M8	B87028	1
9	CONNECTION HOSE	CO87008	2
10	SEAL	P87039	1
11	O-RING	P87075	1
12	SEAL RING Ø10.77x2.62	P87037	1
13	MAX8 SCREW	S87019	1
14	PLASTIC RETAINER	P87031	1
15	SPOUT	B87084	1
16	HANDLE	Z87108	1
17	COVER	P87025	1
18	SET SCREW M5	S87008	1
19	CARTRIDGE K 25 (K) DLC	CO87019	1
20	BONNET NUT	B87074	1
21	LOCK RING	B87073	1
22	DIVERTER ROD	B87277	1
23	LIFT KNOB	B87083	1
24	O-RING 14x2	P87065	1
25	POPUF WASTE	CB87005	1
26	DRY_BAG		1
27	INSTRUCTION_SHEET		1
28	PACKAGING		1

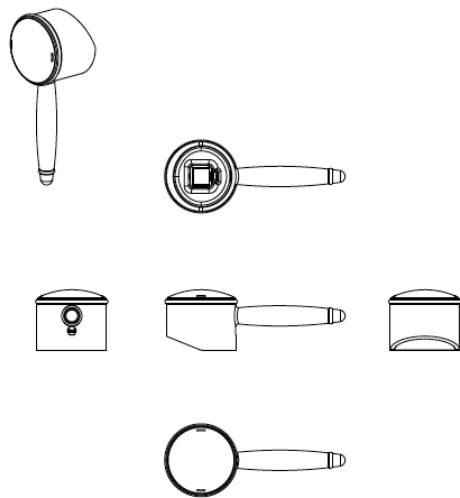
Classic one-hole side-lever basin mixer

chrome : 1044 1 00 2

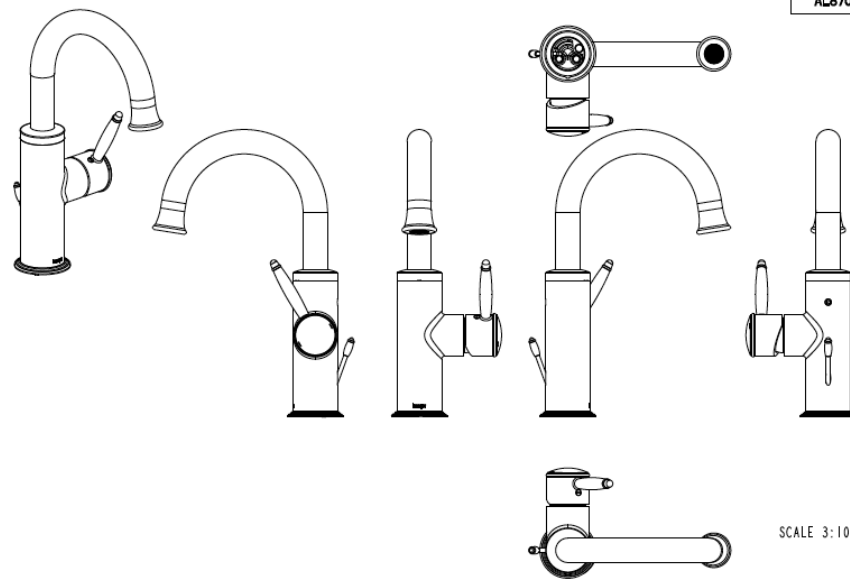
brushed nickel: 1044 1 20 2



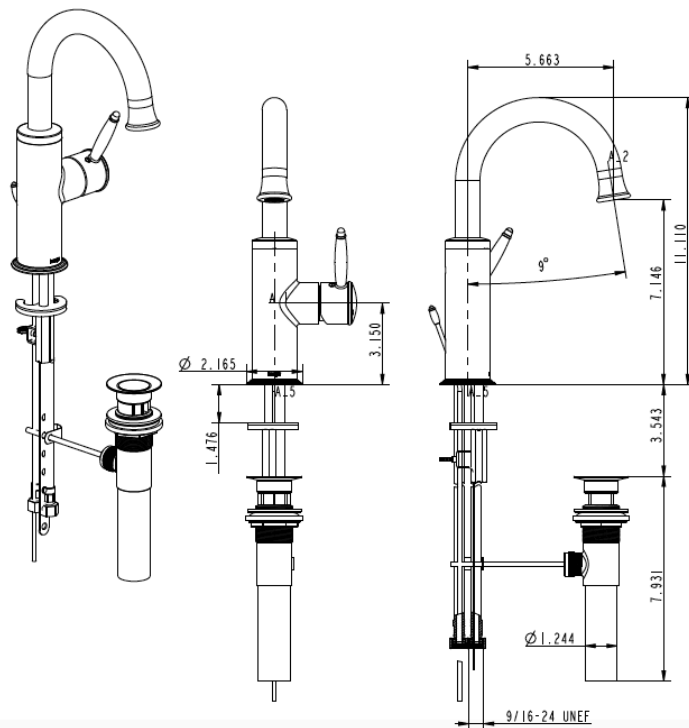
SCALE 1:2



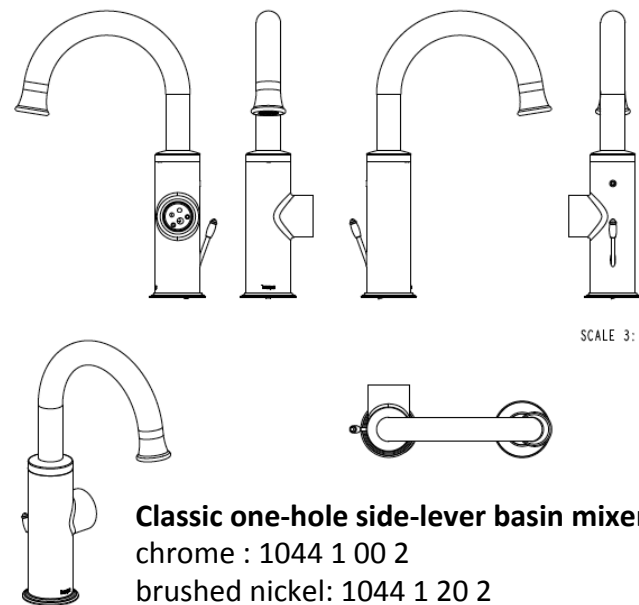
SCALE 1:2



SCALE 3:10



SCALE 3:10



SCALE 3:10

Classic one-hole side-lever basin mixer
 chrome : 1044 1 00 2
 brushed nickel: 1044 1 20 2