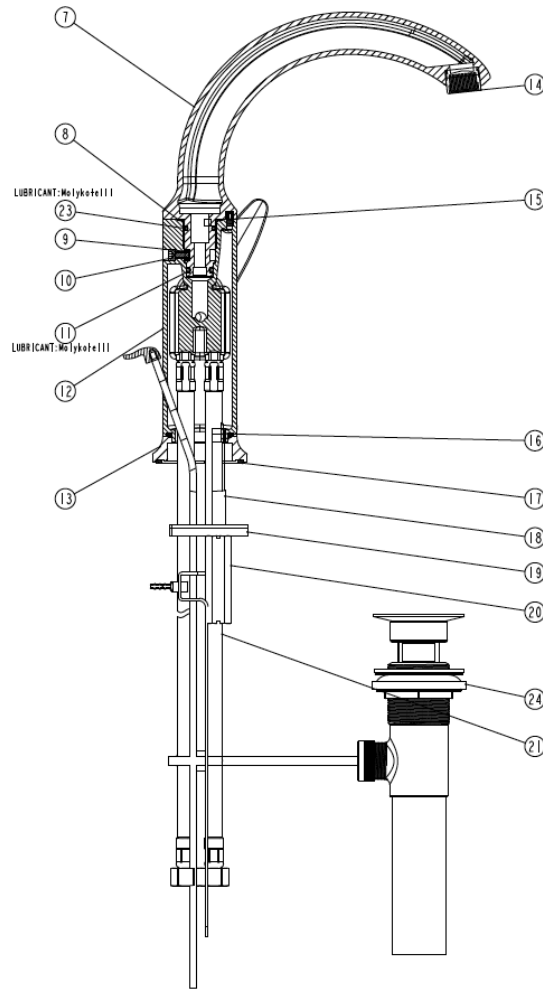
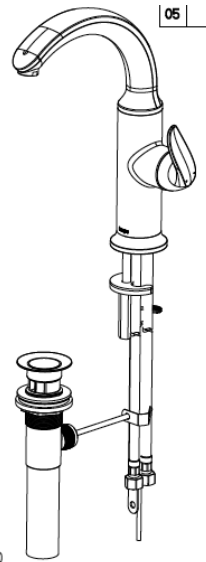


SECTION B-B



SECTION A-A



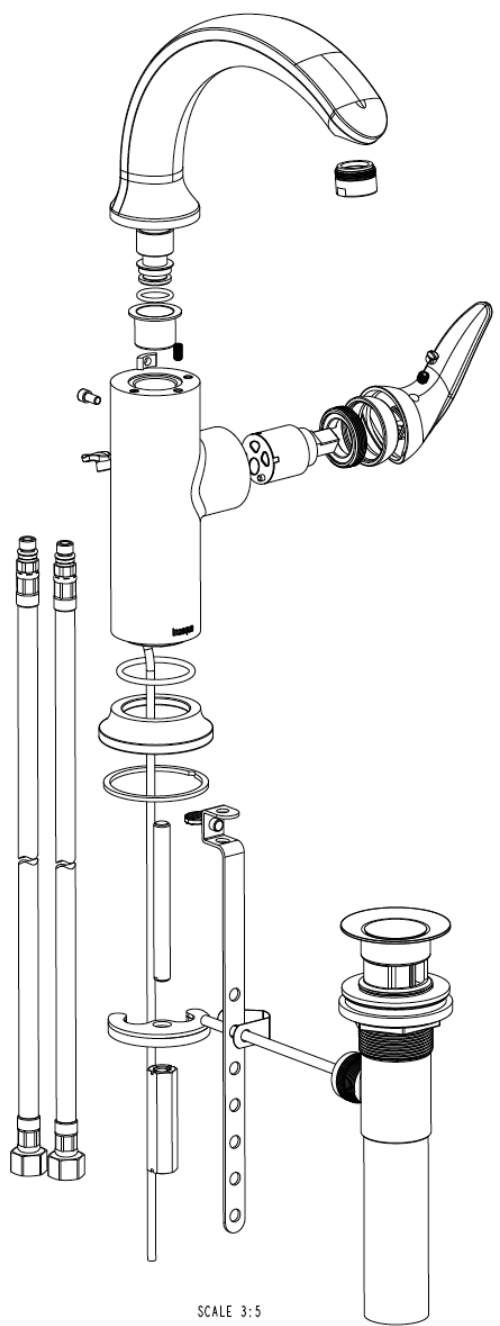
SCALE 3:10

ITEM	DESCRIPTION	PART NO.	QTY
1	STYLE HANDLE	ZB7104	1
2	COVER	PB7025	1
3	BONNET NUT	B87074	1
4	SET SCREW M5	S87008	1
5	LOCK RING	B87073	1
6	CARTRIDGE X 25 (X) DLC	CO87019	1
7	SPOUT	B87063	1
8	PLASTIC RING	P87026	1
9	PLASTIC RETAINER	P87031	1
10	M4x8 SCREW	S87019	1
11	SEAL RING Ø 10.77x2.62	P87037	1
12	SPOUT BASE	B87104	1
13	BASE RING	B87064	1
14	AERATOR PL-HC-TJ-m M20x1 PCA 1.2gpm	CO87041	1
15	SCREW M4x8	S87020	1
16	O-RING	P87075	1
17	SEAL	P87039	1
18	BOLT M8	B87022	1
19	FIXATION PLATE	CO87002	1
20	FIXATION NUT M8	B87028	1
21	CONNECTION HOSE	CO87008	2
22	DIVERTER ROD	B87217	1
23	O-RING 14x2	P87065	1
24	POPUF WASTE	CB87005	1
25	STYLE LIFT KNOB WIDE SPREAD	ZB7019	1
26		DRY_BAG	1
27		INSTRUCTION_SHEET	1
28		PACKAGING	1

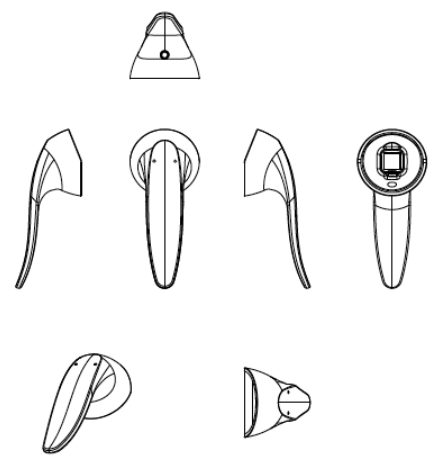
**Style one-hole side-lever basin mixer**

chrome : 1046 1 00 2

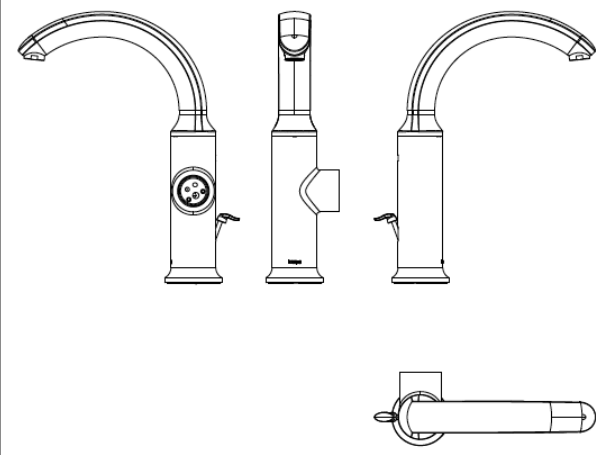
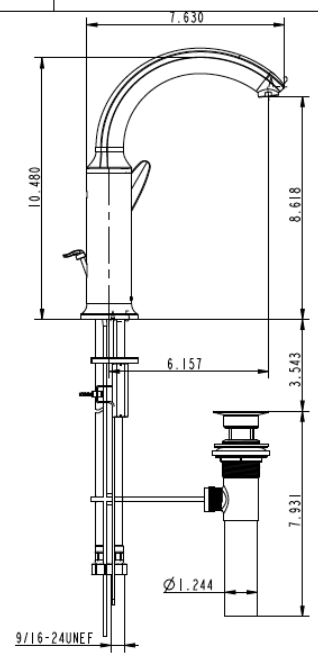
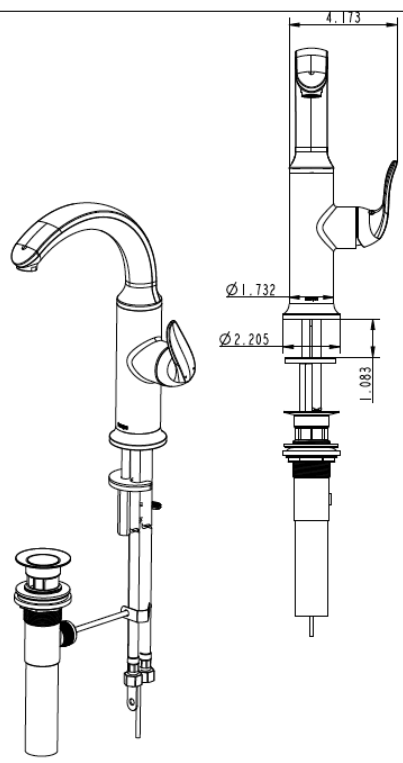
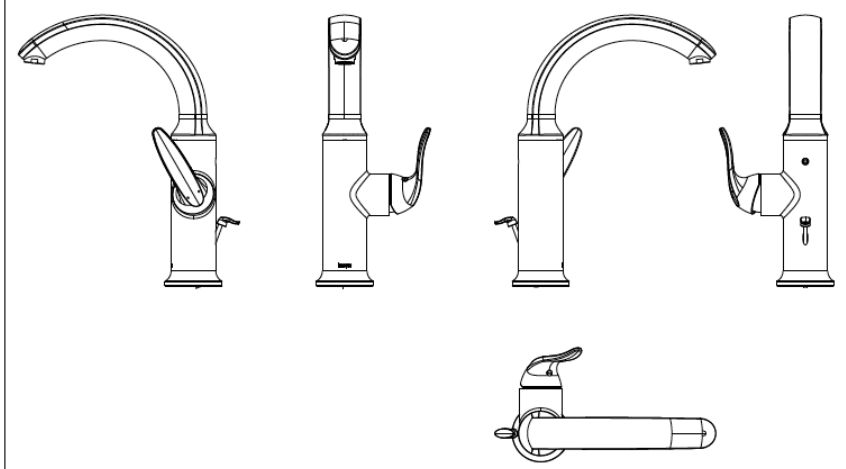
brushed nickel: 1046 1 20 2



SCALE 3:5



SCALE 1:2



**Style one-hole side-lever basin mixer**  
 chrome : 1046 1 00 2  
 brushed nickel: 1046 1 20 2