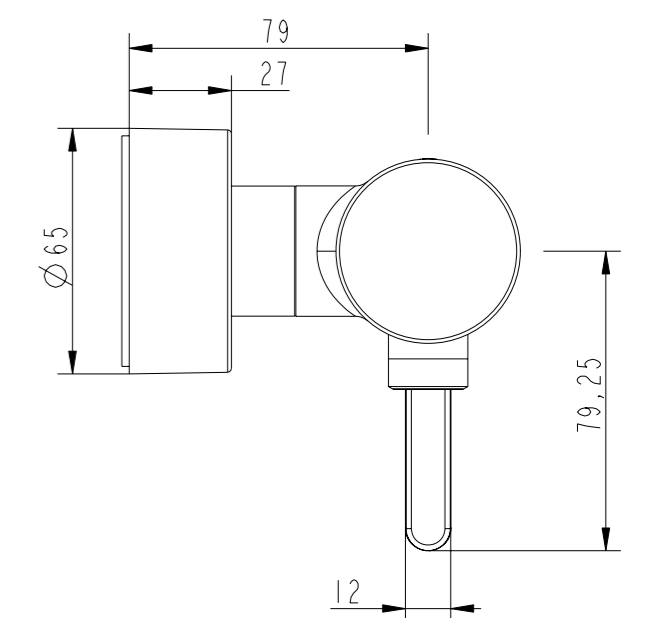
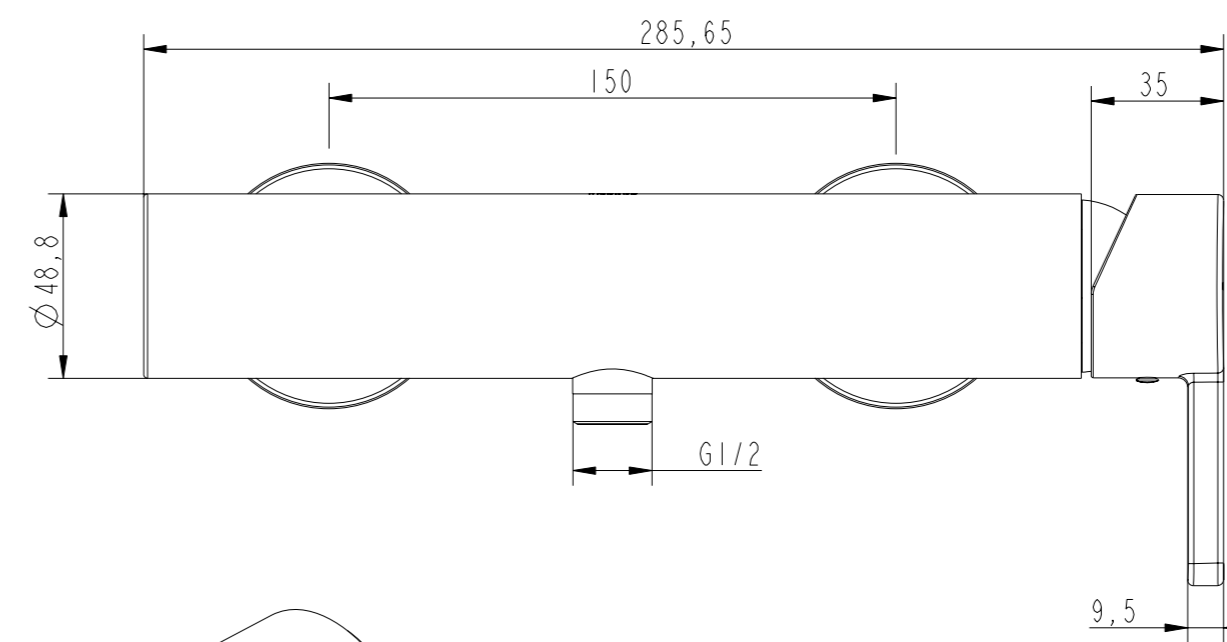
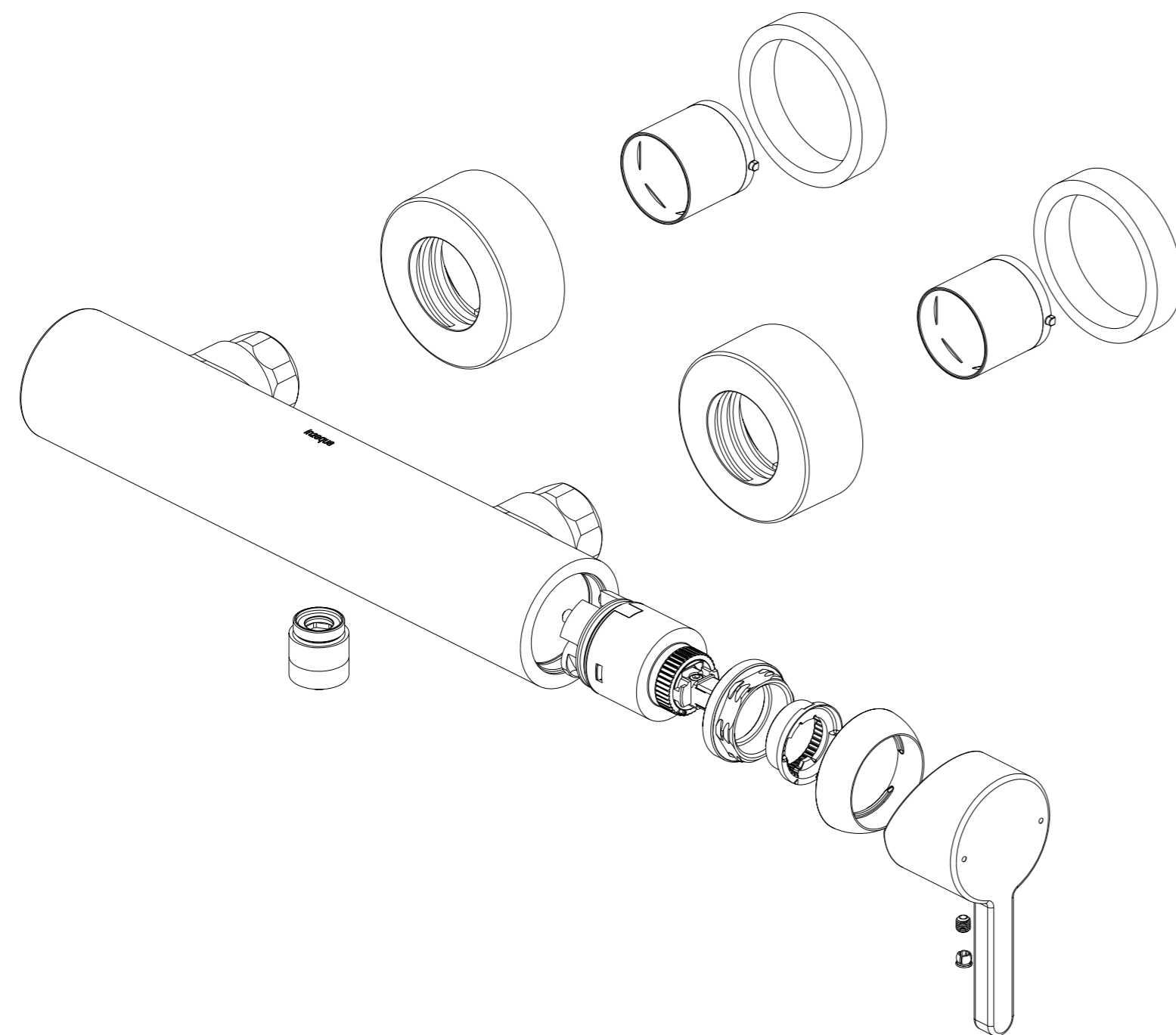
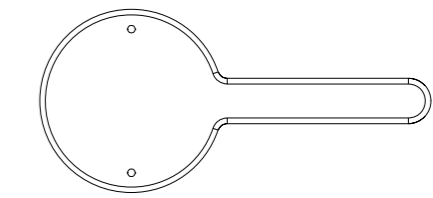
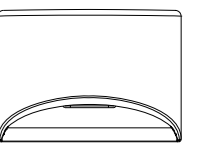
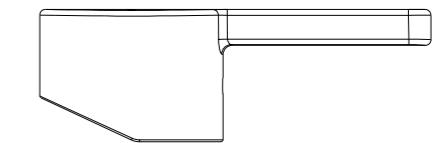
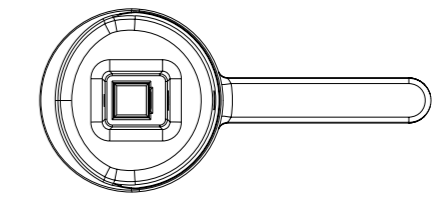
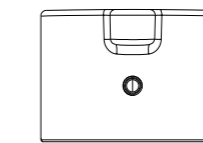
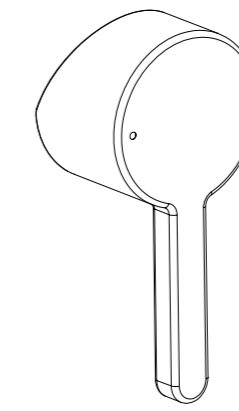
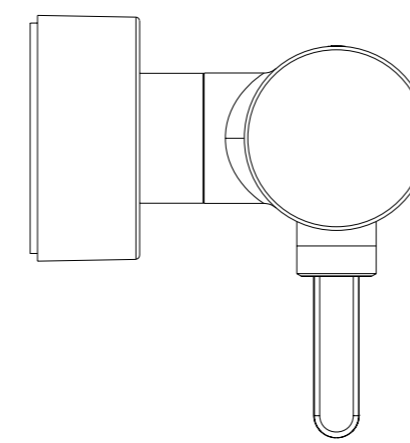
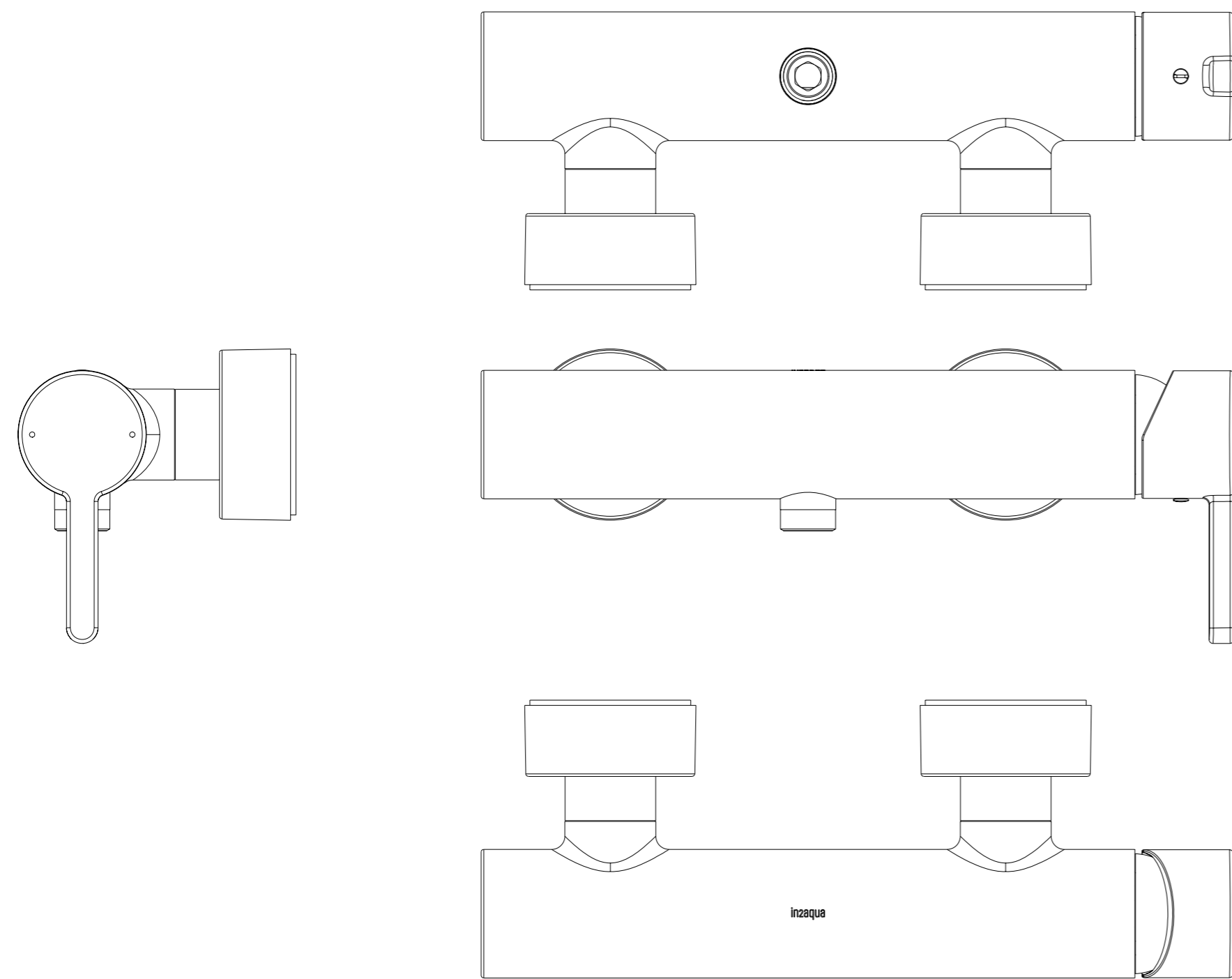


ITEM	DESCRIPTION	PART NO.	QTY
1	EXPOSED SHOWER BODY	B87009	1
2	ADAPTOR	B87015	1
3	ROSETTE ASS.	C087033	2
4	SET SCREW M5	S87008	1
5	COVER	P87025	1
6	PLASTIC COVER	P87080	1
7	REGULATOR	P87072	1
8	EDGE VARIO HANDLE	Z87122	1
9	LOCK RING	B87014	1
10	CARTRIDGE (KEROX-35)	C087047_	1
11	ADAPTER	B87011	2
12	O-RING 17X2	P87079	2
13	NUT G3/4	B87013	2
14		DRY_BAG	1
15		INSTRUCTION_SHEET	1
16		PACKAGING	1

EDGE exposed shower mixer

Finish: chrome
Article number: 1067 1 00 1



EDGE exposed shower mixer

Finish: chrome
Article number: 1067 1 00 1