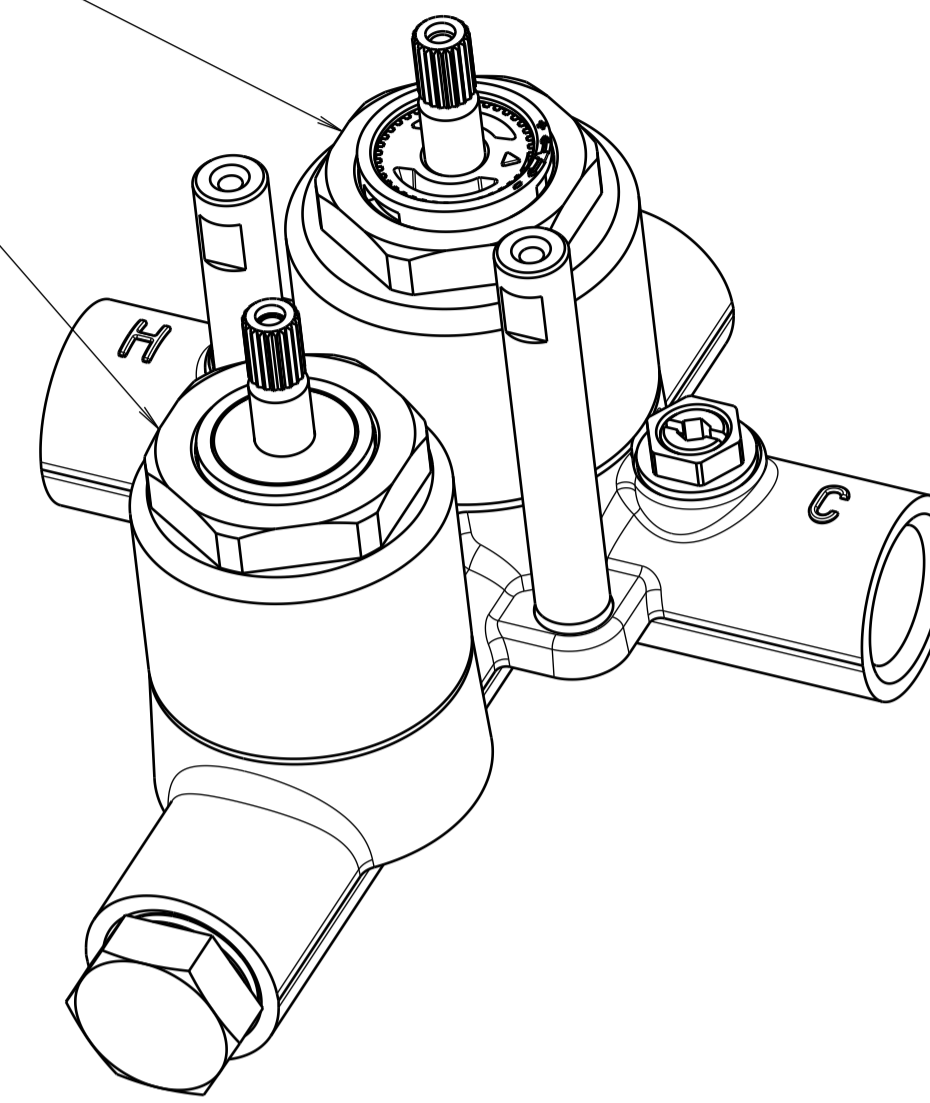
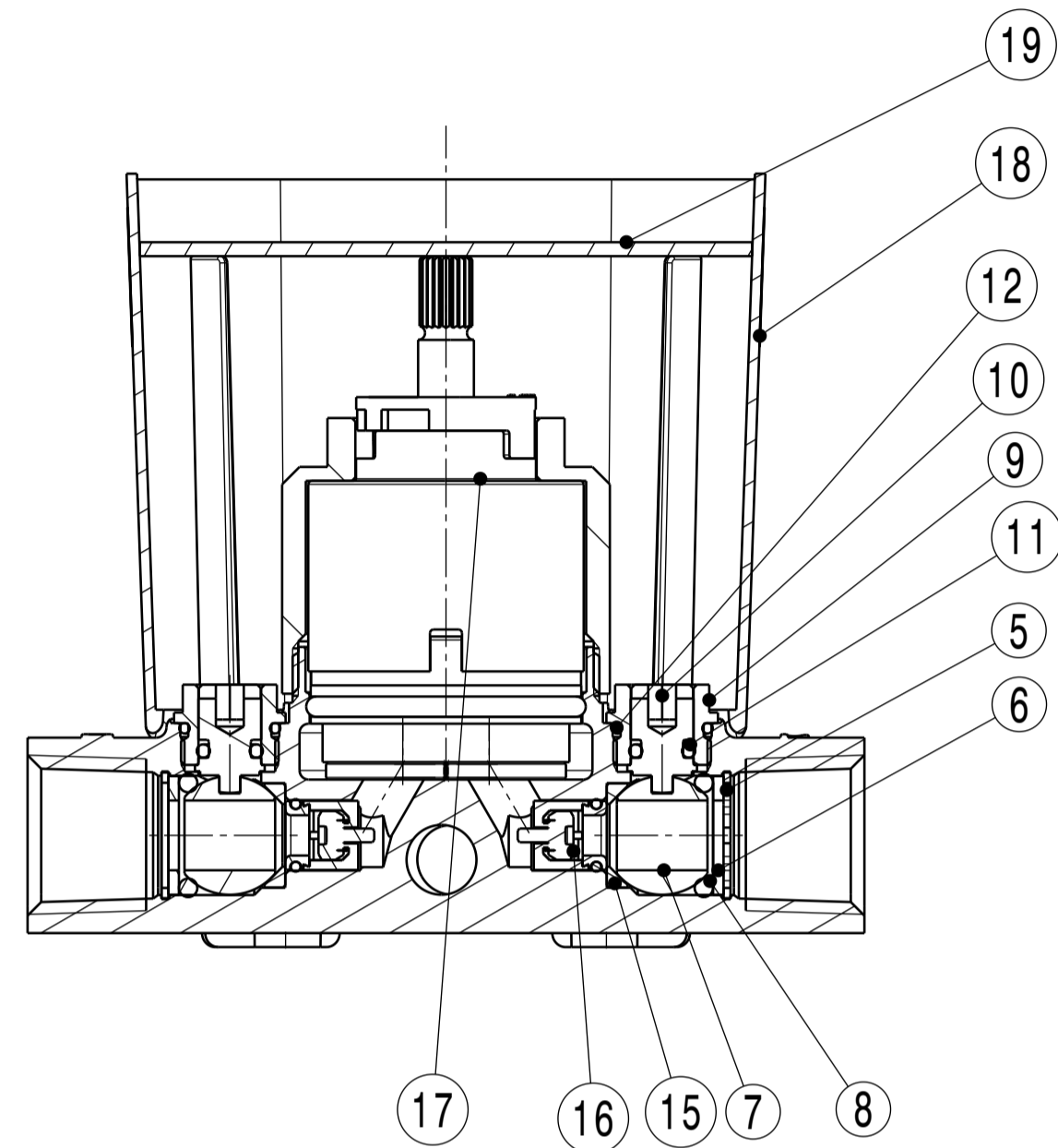
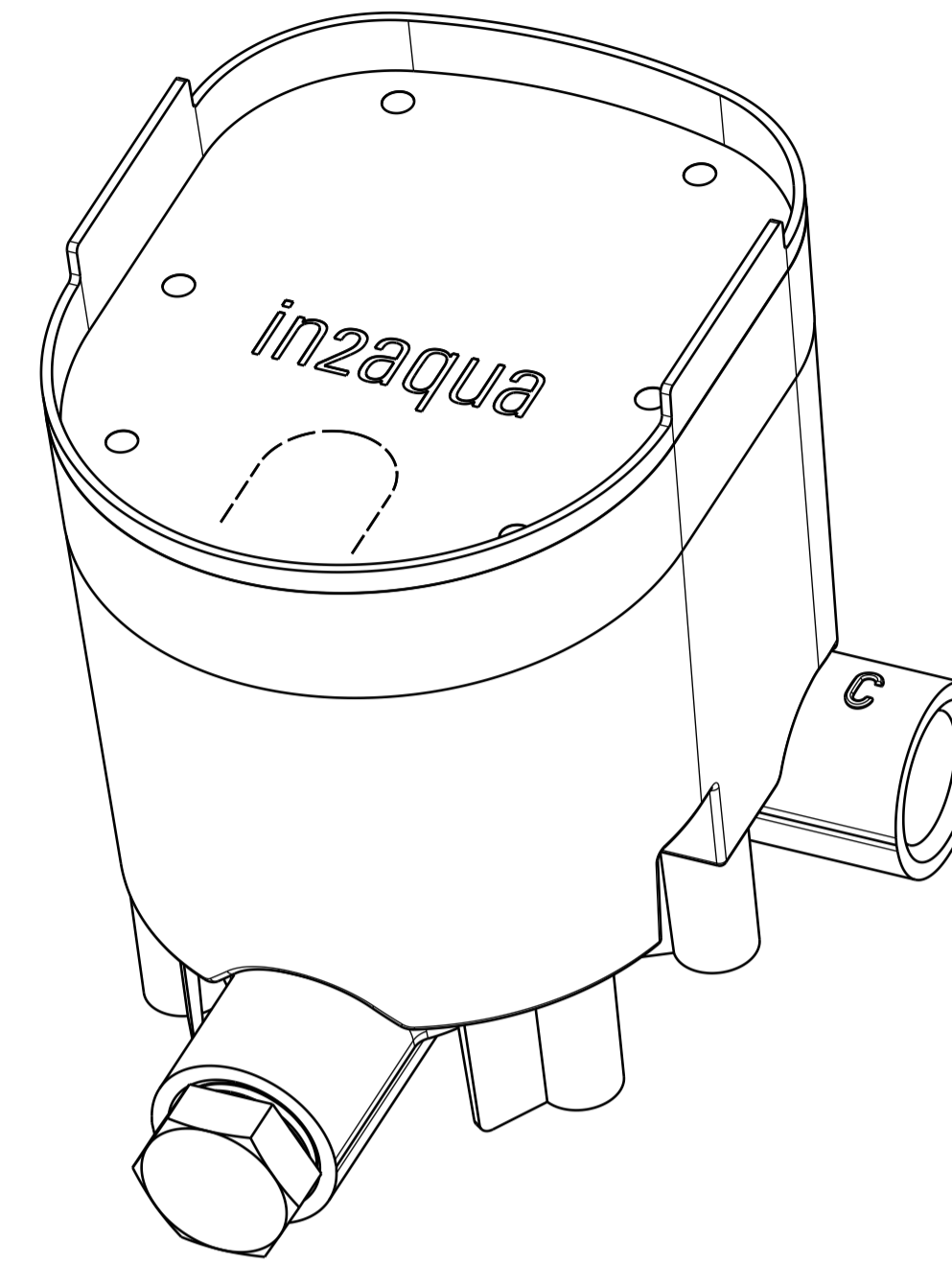


Drehmoment 12 Nm +1Nm

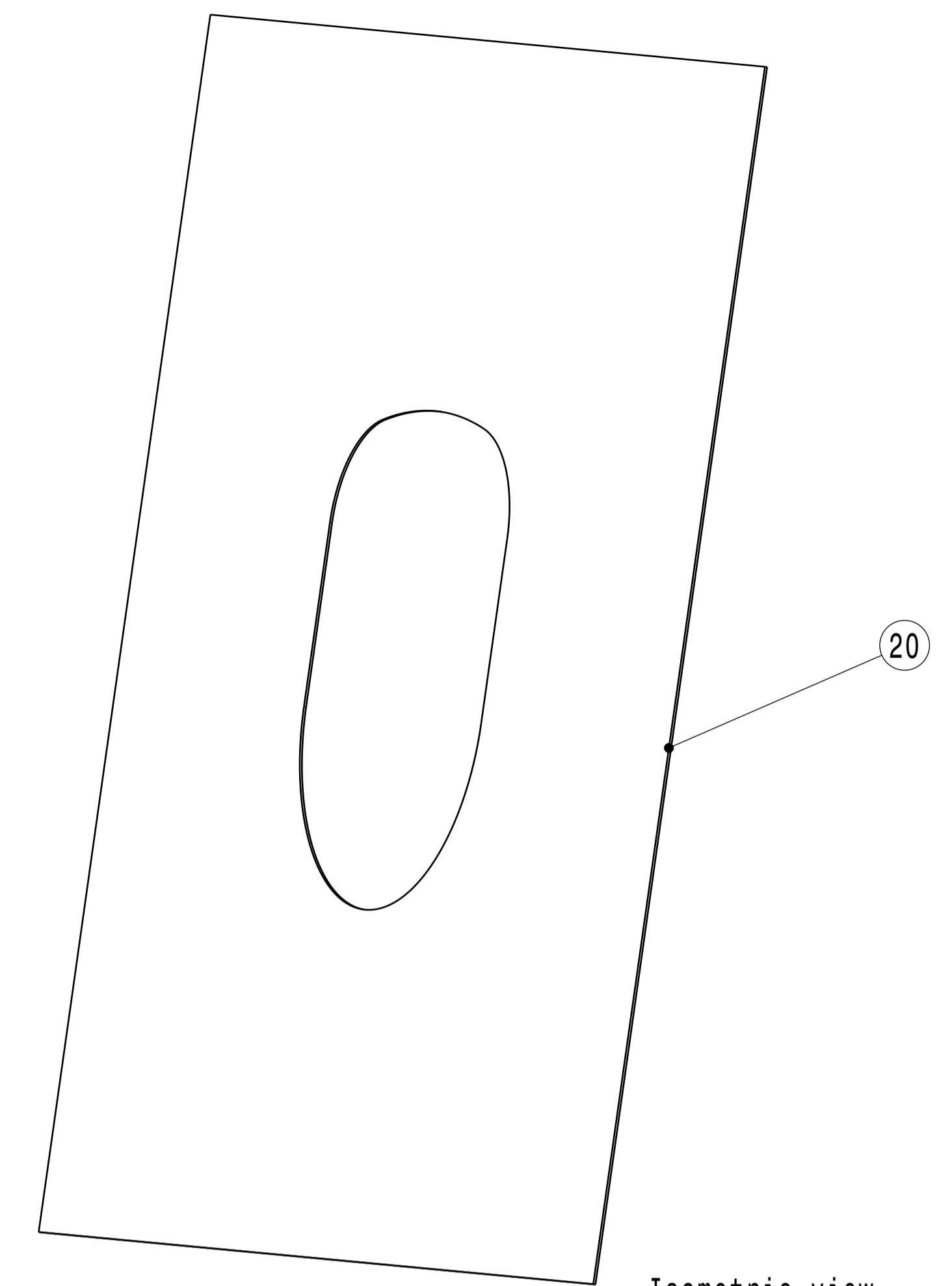
Section view A-A



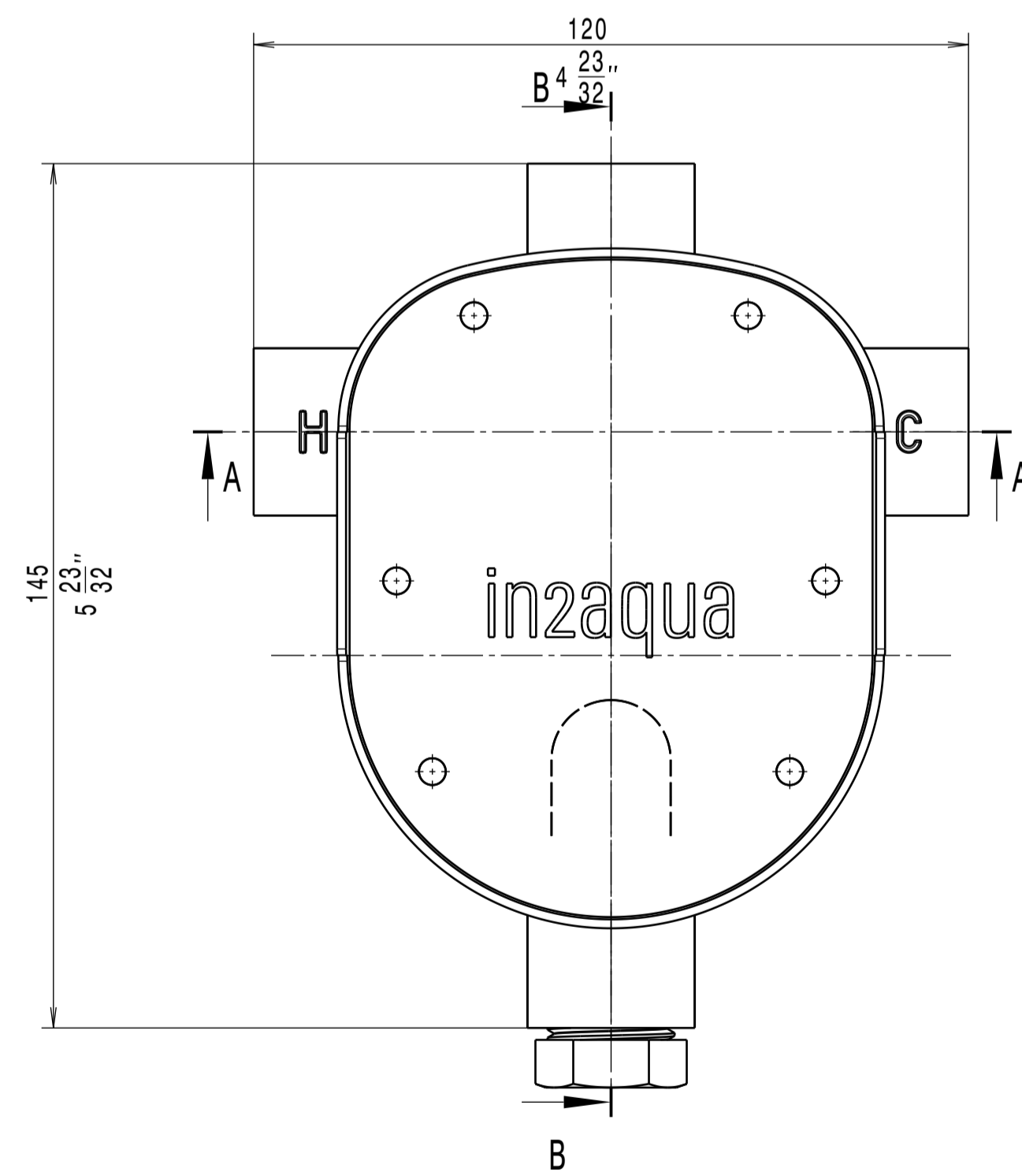
Isometric view



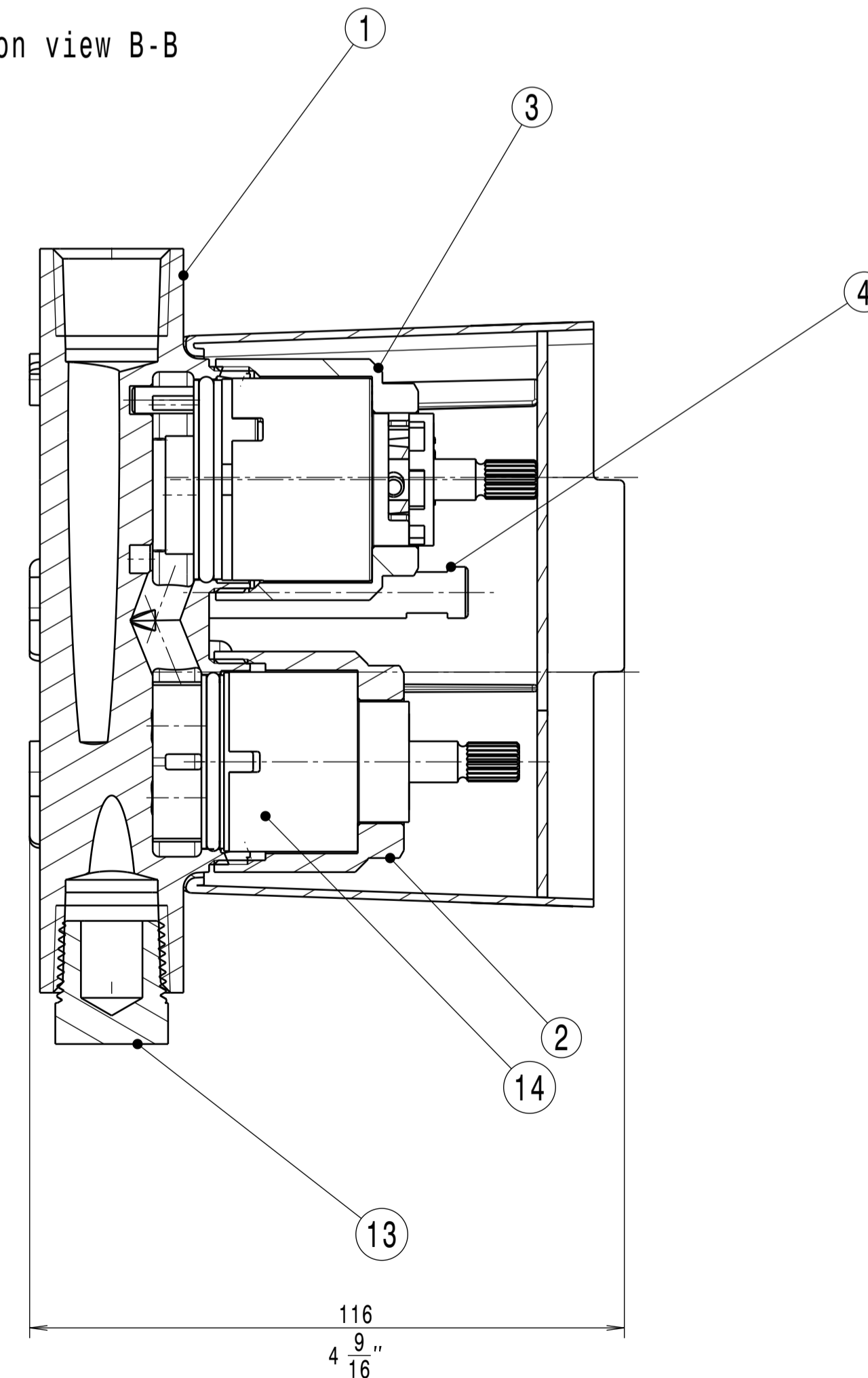
Isometric view



Isometric view



Section view B-B



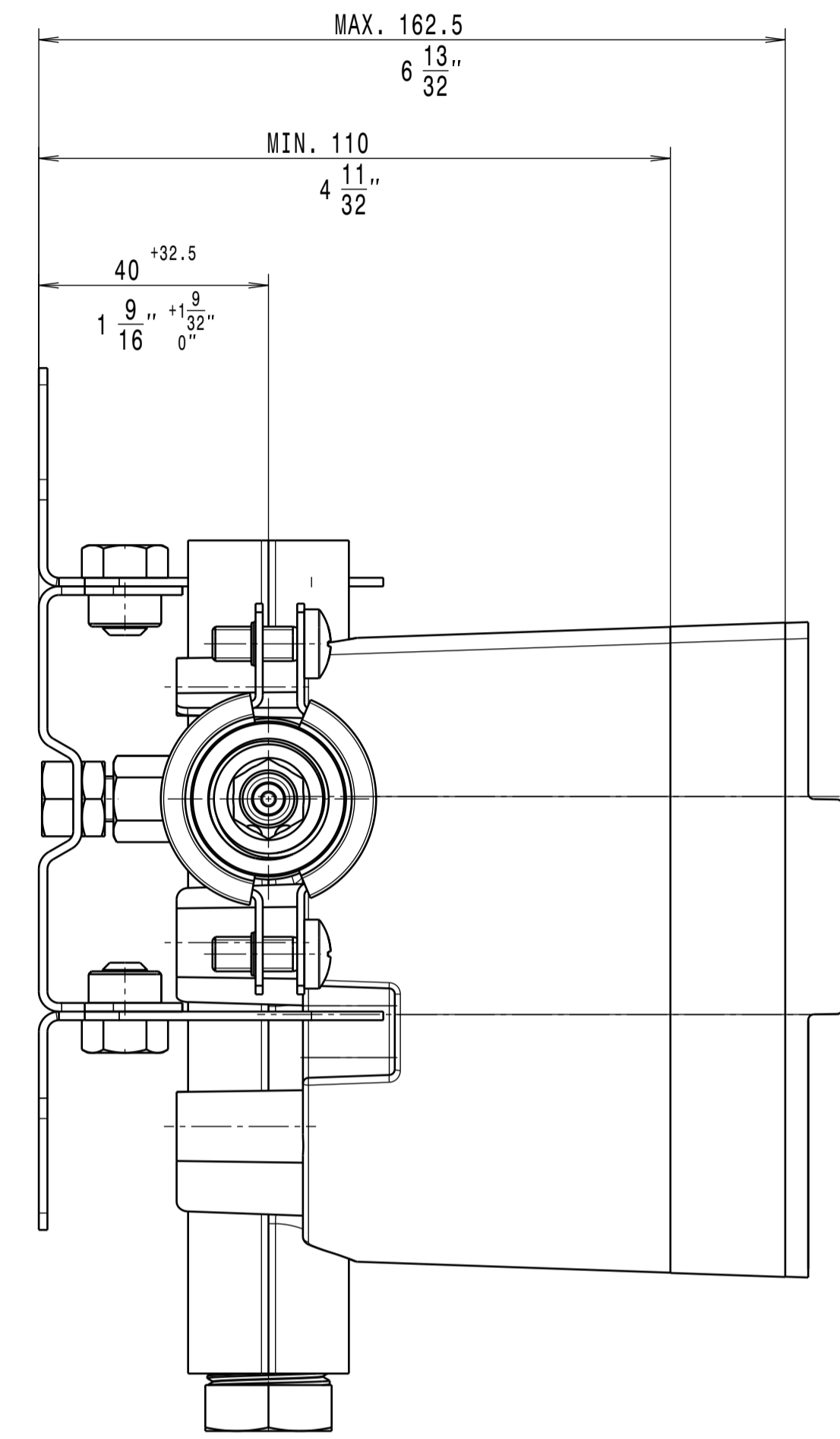
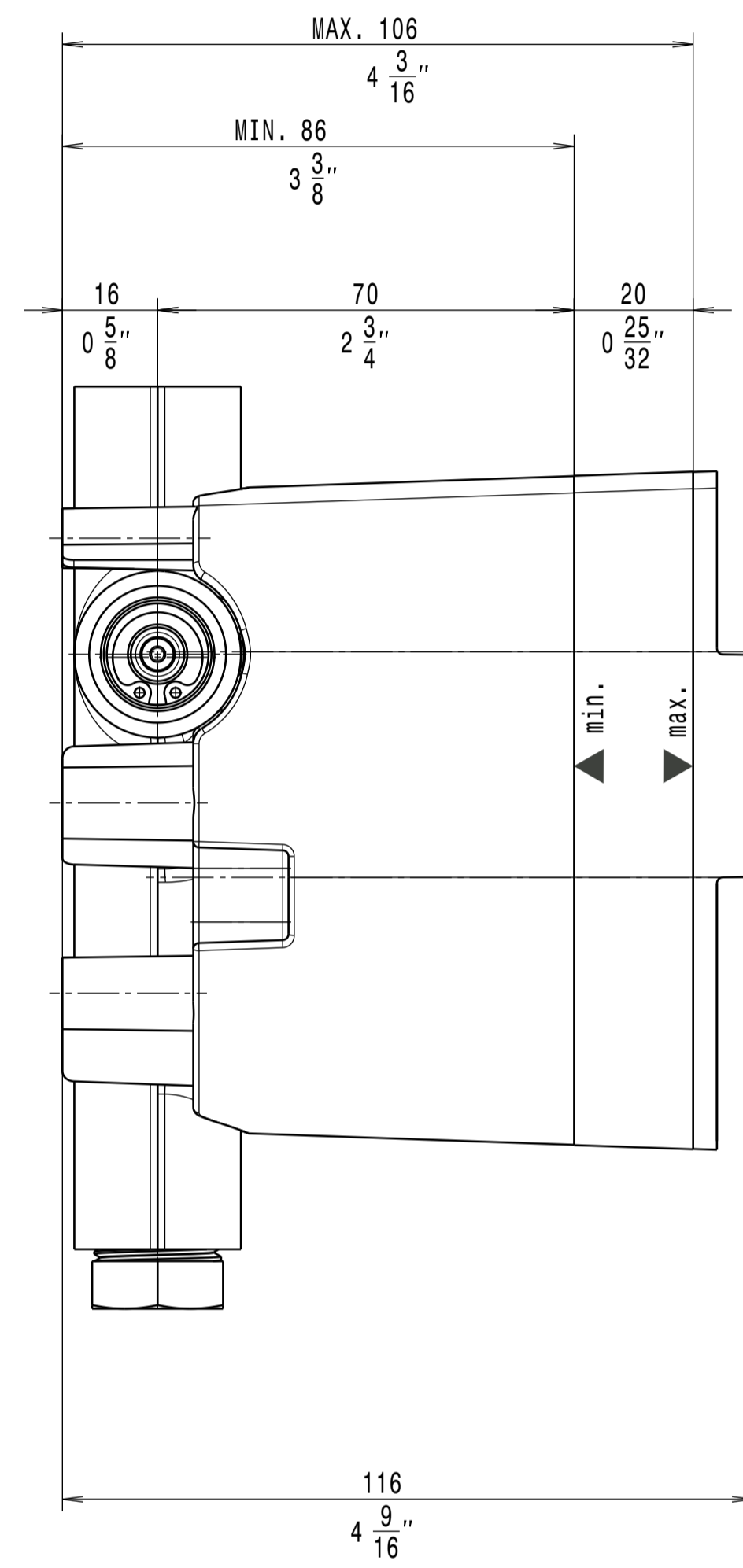
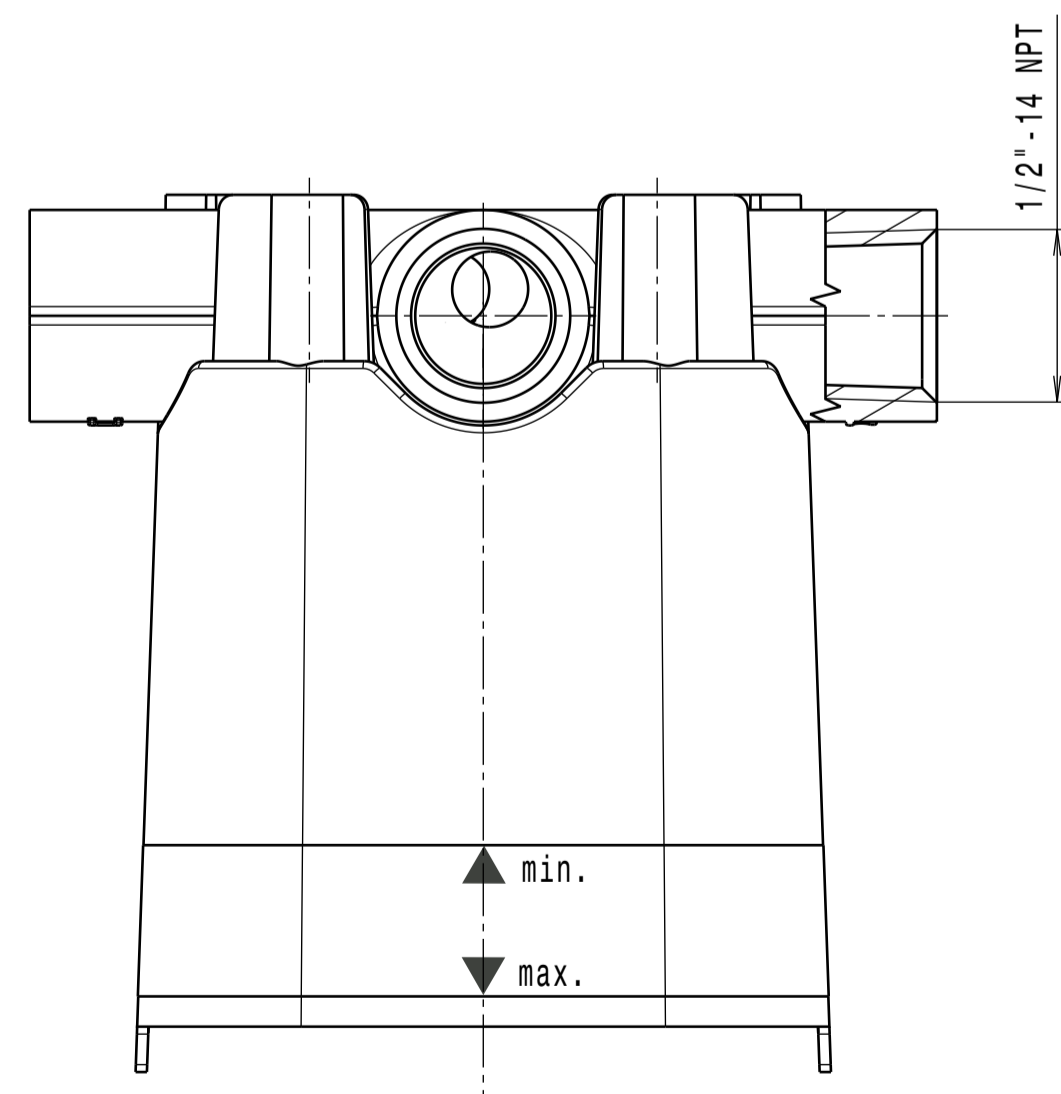
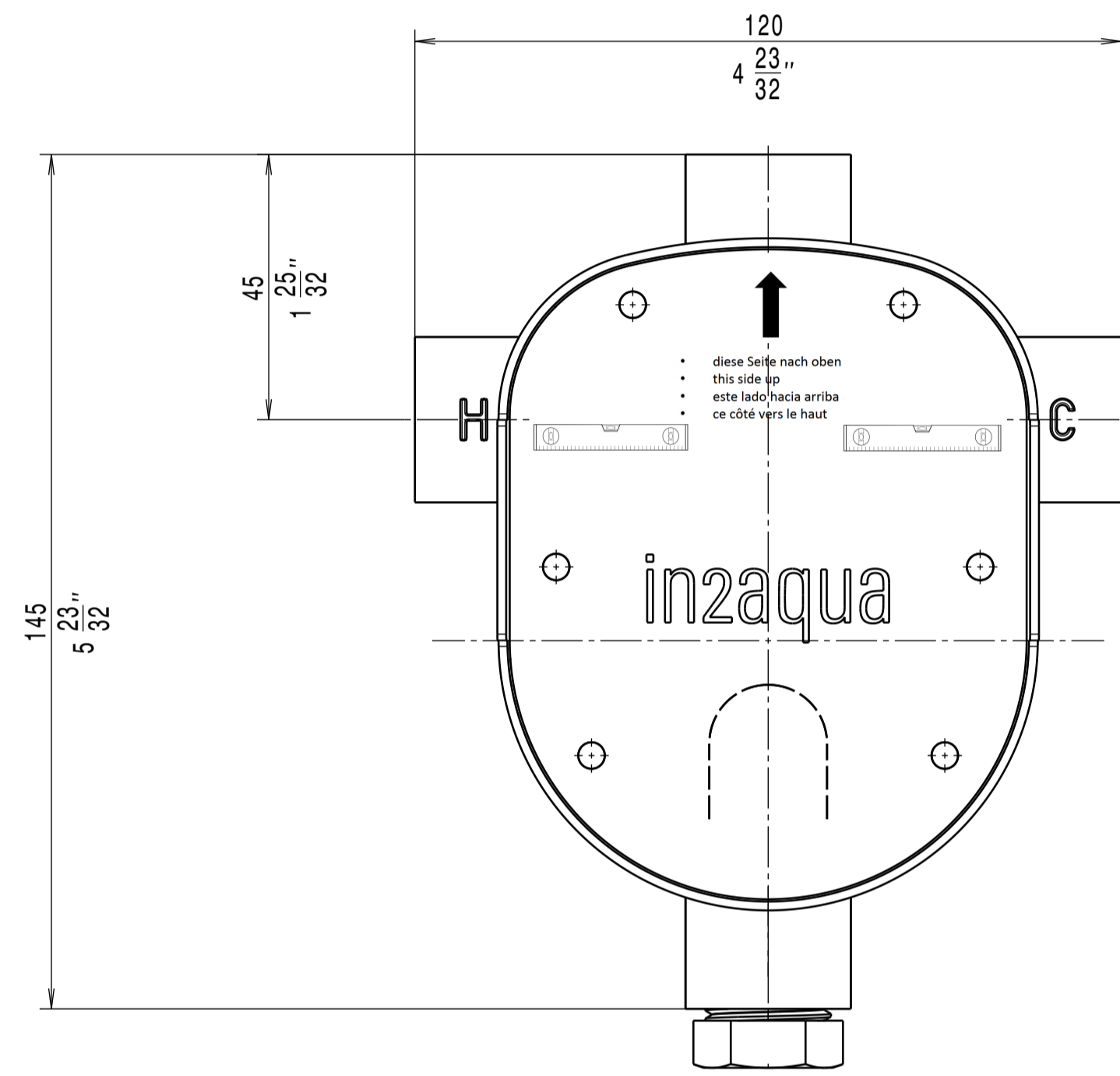
ITEM	DESCRIPTION	PART NO.	QTY
1	Gehäuse PB	I2A-010-00299	1
2	KDN35-Ueberwurfmutter	I2A-010-00332	1
3	K40PB-Ueberwurfmutter	I2A-010-00331	1
4	Distanzschraube-PB	I2A-010-00322	2
5	Sicherungsring DIN 472 - 17 x 1	I2A-010-00326	2
6	Scheibe	I2A-010-00325	2
7	Absperrkugel	I2A-010-00323	2
8	O-Ring 12,73x2,65	I2A-010-00324	2
9	Verschluss-Absperrung	I2A-010-00327	2
10	Absperrwelle	I2A-010-00329	2
11	O-Ring-5,7x1,9	I2A-010-00330	2
12	O-Ring-11,5x1,5	I2A-010-00328	2
13	Verschlusschraube	I2A-010-00335	1
14	Diverter Kartusche	KDZ 35 B	1
15	Kugelanlage	I2A-010-00364	2
16	check valve OF10/DN8 (Neoperl)	31.4208.00000	2
17	PB Kartusche	K40 PB	1
18	Haube	I2A-010-00333	1
19	Abdeckung	I2A-010-00334	1
20	Dichtmanschette	I2A-010-00066	1
	Instruction sheet		1
	Packaging		1

pressure balance valve, with diverter
CALGreen Compliant

Article number: 1196 2 98 2

Article number: 1196 2 99 2 with in2itiv

in2aqua



1196 2 99 2 with in2itiv

pressure balance valve, without diverter
CALGreen Compliant

Article number: 1196 2 98 2

Article number: 1196 2 99 2 with in2itiv

in2aqua