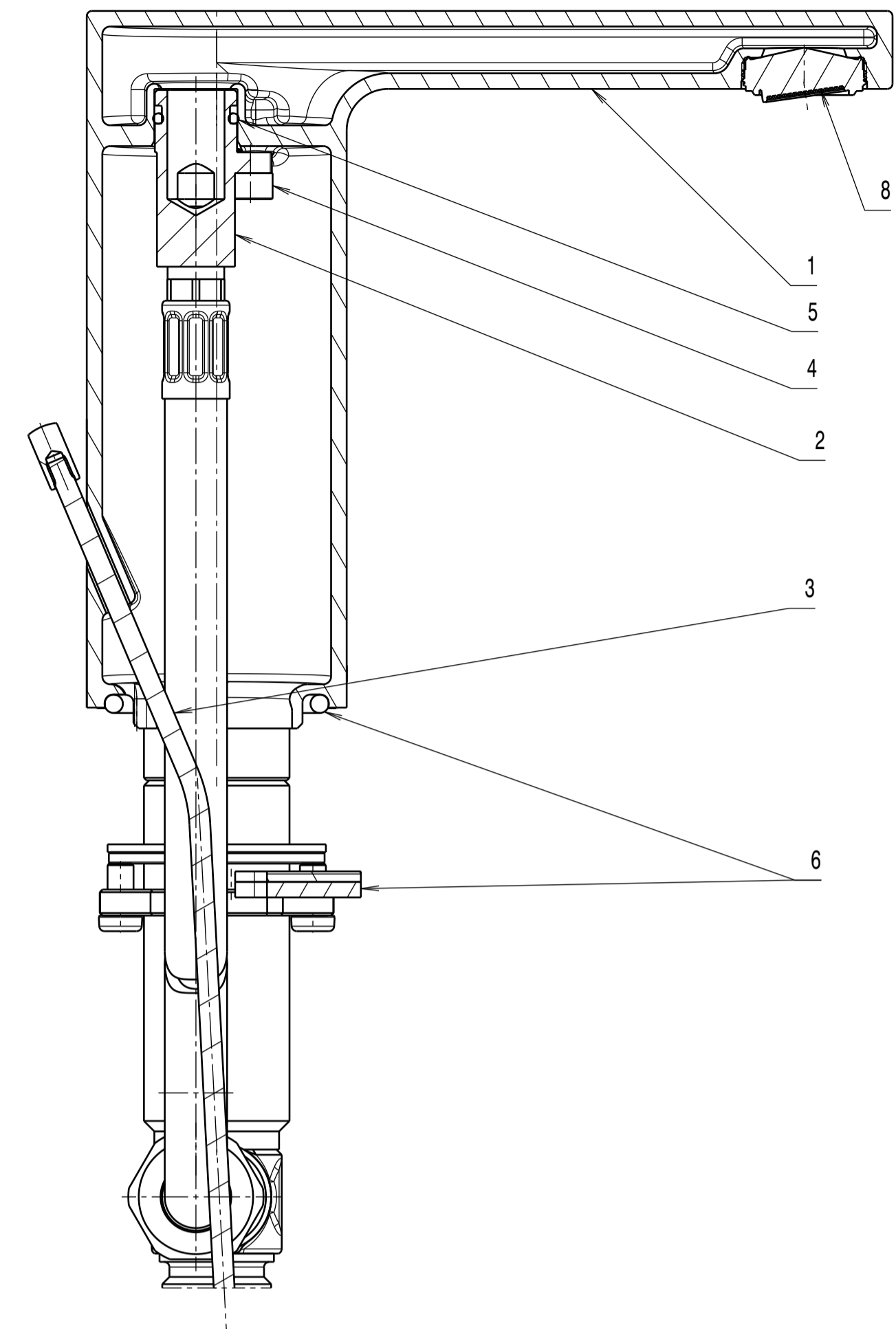
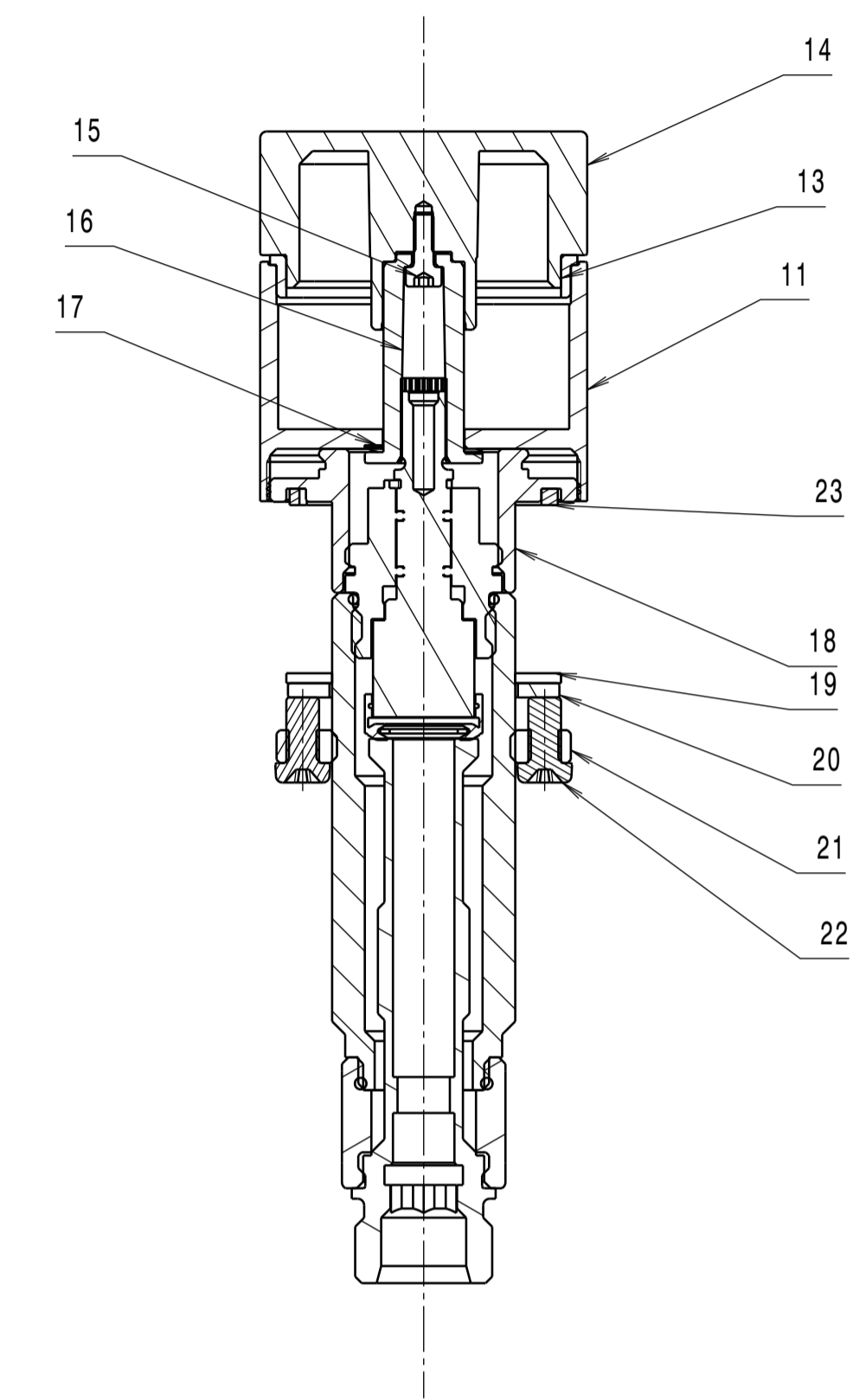


Section view A-A



Section view C-C



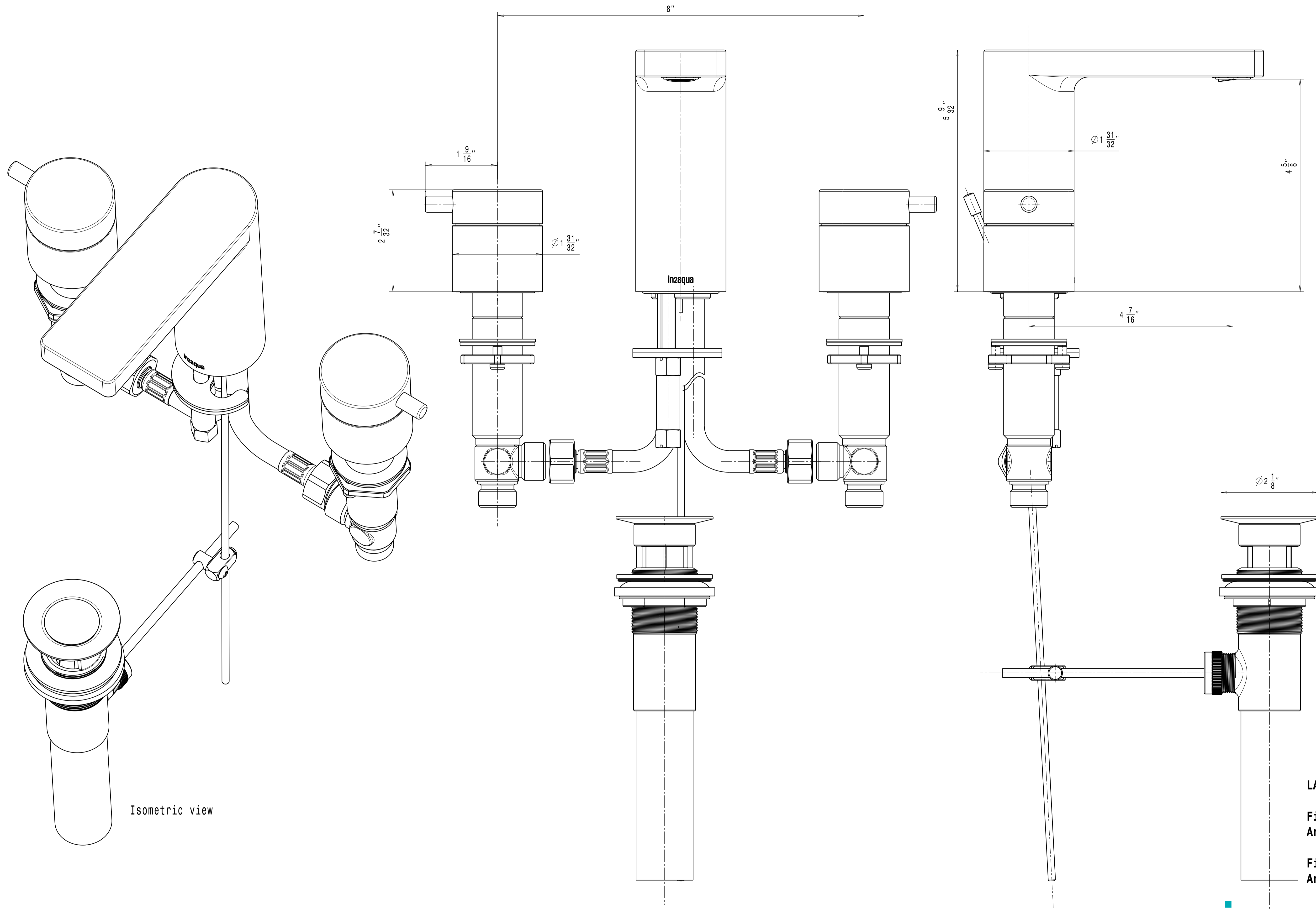
ITEM	DESCRIPTION	PART NO.	QTY
1	Gehäuse-Auslauf	I2A-010-00243XXX	1
2	Adapter	I2A-010-00244	1
3	Zugstange BASIC	I2A-110-00035XXX	1
4	Zylinderschraube M5x10	ISO 4762	1
5	O-Ring-11,5x2	I2A-010-00245	1
6	Befestigungsset	I2A-110-00042	1
7	Connection hose 1/2" M10	C087003	2
8	Strahlregler M24x1 1,2gpm	40.8060.010	1
9	Ablaufgarnitur	CB87005	1
11	Rosette	I2A-010-00238XXX	2
12	Buchse rot	I2A-010-00259	1
13	Buchse blau	I2A-010-00239	1
14	Hebel-LANA	I2A-010-00241XXX	2
15	Setting screw	S87001	2
16	Handle Adapter	P87003	2
17	Spring washer	B87090	2
18	Edge Deck Adapter	B87043	2
19	Washer 28x42	P87005	2
20	Washer 28,8x41,5x2,2	B87024	2
21	Fixation nut	B87025	2
22	Screw M5	S87002	4
23	Seal 41x36x2,5	P87009	2
24	1/2" Valve 90° left turn	CB87006	1
25	1/2" Valve 90° right turn	CB87007	1

LANA widespread

Finish: chrome
Article number: 1299 1 00 2

Finish: brushed nickel
Article number: 1299 1 20 2





Isometric view

LANA widespread

Finish: chrome
 Article number: 1299 1 00 2

Finish: brushed nickel
 Article number: 1299 1 20 2

in2aqua