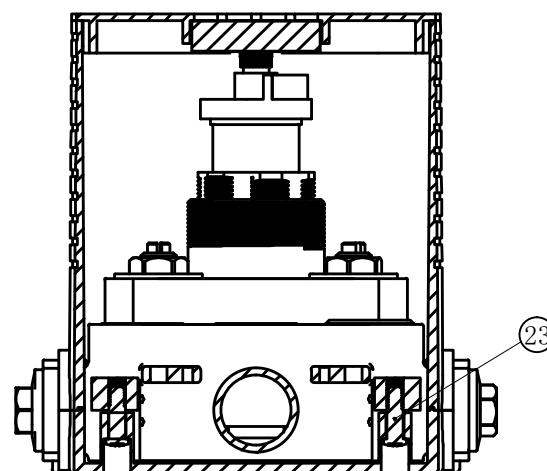
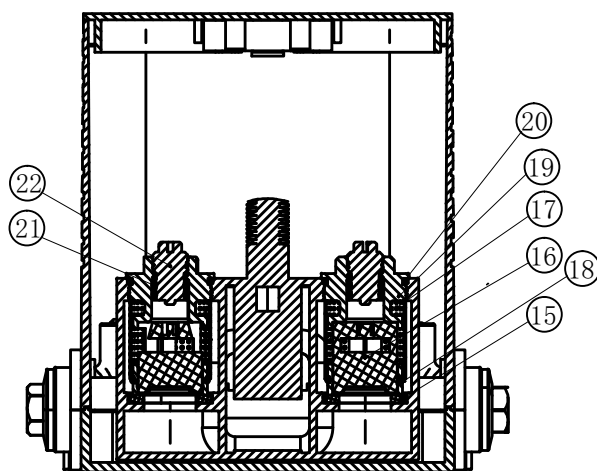


ITEM	DESCRIPTION	PART NO.	QTY
1	Body	I2A-910-910333201	1
2	Cover nut	I2A-910-900006025	3
3	O-ring $\varnothing 20 \times 1.8$	I2A-910-900500020	3
4	Cover nut	I2A-910-900003027	3
5	O-ring $\varnothing 20.5 \times 2.5$	I2A-910-900500122	3
6	Box	I2A-910-900517036	1
7	Box	I2A-910-900517037	1
8	Box	I2A-910-900517038	1
9	thermostatic cartridge	I2A-910-900032004	1
10	nut	I2A-910-900000066	1
11	tube sleeve	I2A-910-900545024	1
12	teeth adaptor	I2A-910-900545020	1
13	tube sleeve	I2A-910-900013025	1
14	Screw M4x40	I2A-910-900995020	1
15	Washer	I2A-910-900520077	2
16	check valve	I2A-910-900529003	2
17	filter screen	I2A-910-900555005	2
18	O-ring $\varnothing 19.5 \times 1.8$	I2A-910-900500029	2
19	Check valve seat	I2A-910-900006024	2
20	O-ring $\varnothing 26 \times 2$	I2A-910-900500033	2
21	O-ring $\varnothing 12 \times 2$	I2A-910-900500015	4
22	Nut	I2A-910-900041029	2
23	Screw M5x26	I2A-910-900995008	4

SCALE 1:1



SCALE 1:2

in2aqua thermostatic valve (eurotherm)
with volume control and manual diverter,
without in2itiv rough-in mounting system

Article number: 1491 2 99 2

in2aqua