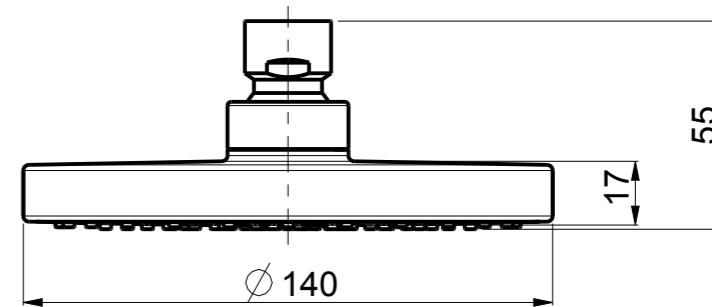
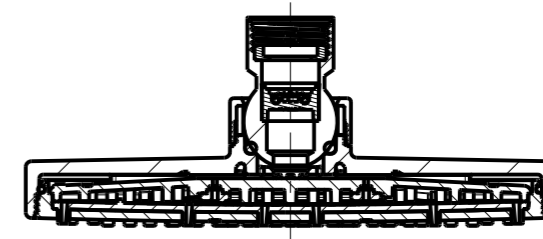


Ingrassare O-ring con grasso tipo BESSIL BESLUX EH-000
Put grease type BESSIL BESLUX EH-000 on the O-ring



12	Ball Joint gasket	1	NBR	02 0104	99980038
11	Logo In2Aqua	1	-	09 0114	-
10	Disk Clean-Air PURE 140	1	ABS	01 0621	JA180305
9	ORing \varnothing 126.72x1.78	1	EPDM 70 SHA	02 0007-050	J99980123
8	Clean Gasket PURE 140	1	SILICON	02 0158	JA185000
7	Conveyer PURE 140 welded	1	PPE+PS	04 0051	JA180200
6	Body headshower PURE 140	1	ABS	01 0590	VA320105/01
5	ORing \varnothing 18x3	1	NBR	02 0007-001	99980027
4	Ball Joint 1/2" Gas	1	BRASS	03 0057	V125405
3	Flow restrictor 12 L/min	1	VARIED	80 0339	BFL-D15-12
2	Ring	1	POM	01 0141	V1251NPT
1	Crown	1	BRASS	03 0301	VA370305
Pos.	DENOMINAZIONE / DESCRIPTION	Q.ty	MATERIALE / MATERIAL	DISEGNO / DRAWING	CODICE / CODE

shower head, 140 mm, 1-spray

Finish: chrome

Article number: 4002 1 00 1

in2aqua