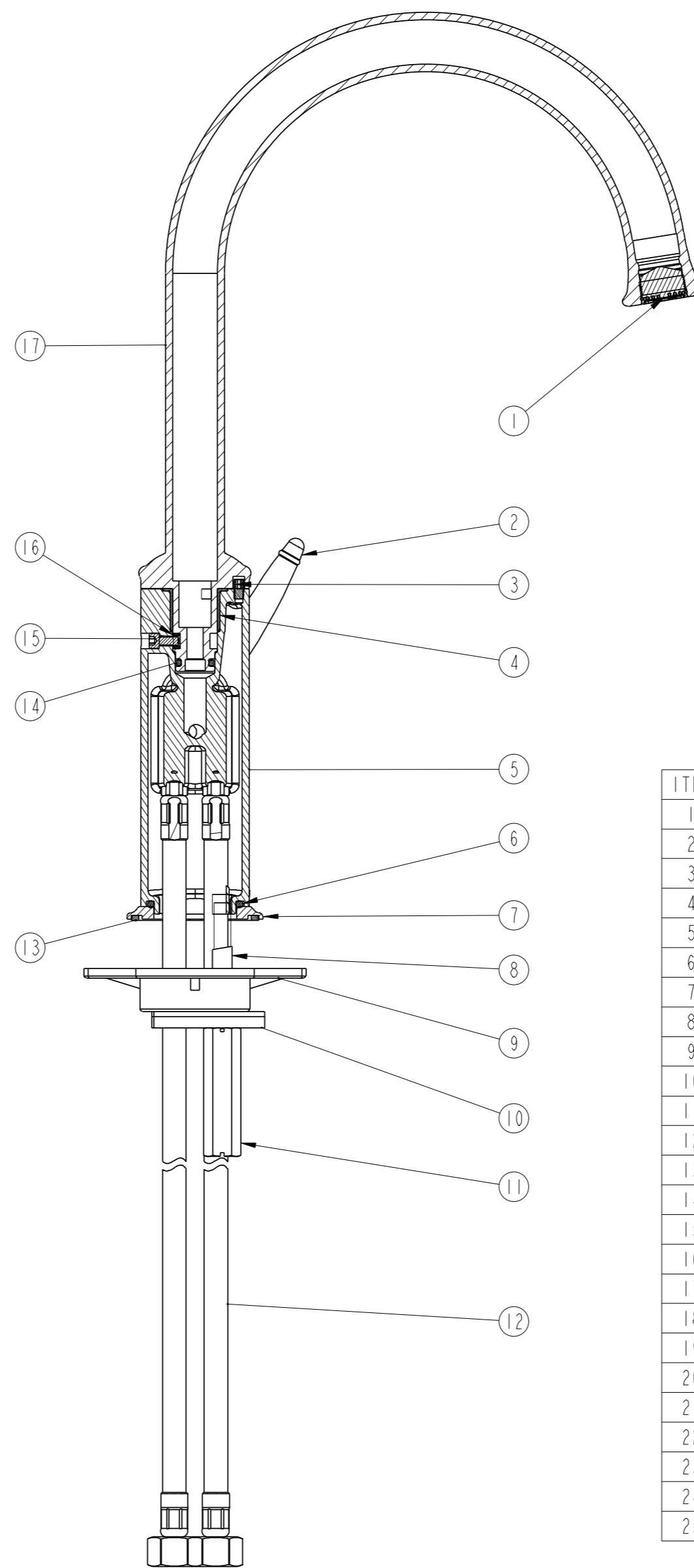
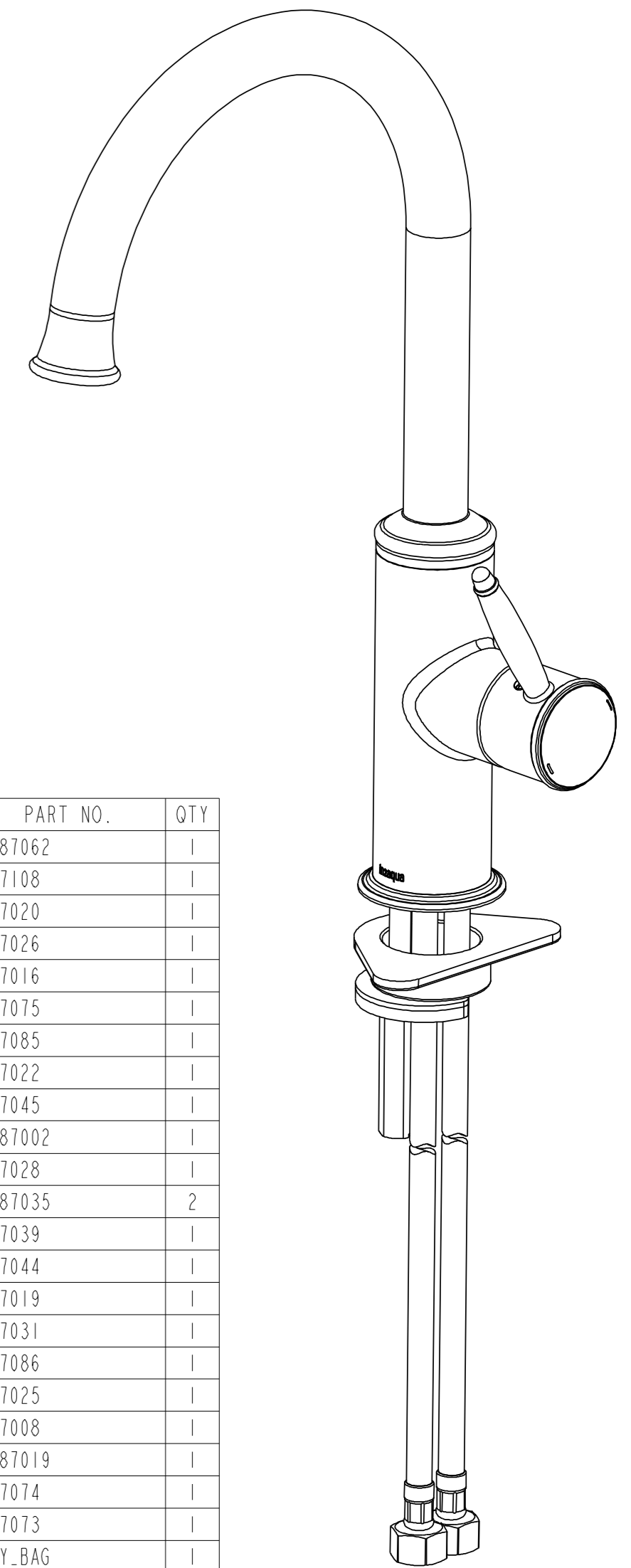


SECTION B-B
SCALE 1:2

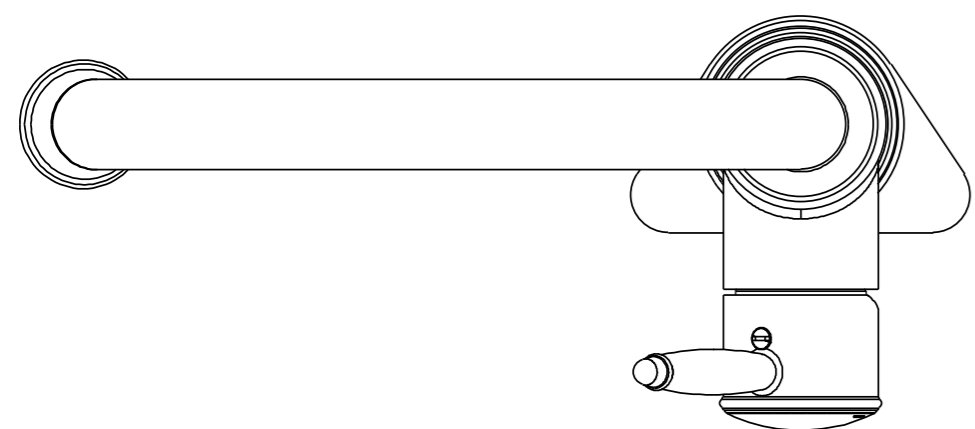


SECTION A-A

ITEM	DESCRIPTION	PART NO.	QTY
1	AERATORS M18.5X1 (NEOPERL CACHE-TJ)	C087062	1
2	HANDLE	Z87108	1
3	SCREW M4X8	S87020	1
4	PLASTIC RING	P87026	1
5	SPOUT BASE	B87016	1
6	O-RING	P87075	1
7	BASE RING	B87085	1
8	BOLT M8	B87022	1
9	PLASTIC TRIANGLE	P87045	1
10	FIXATION PLATE	C087002	1
11	FIXATION NUT M8	B87028	1
12	CONNECTION HOSE	C087035	2
13	SEAL	P87039	1
14	SEAL RING	P87044	1
15	M4X8 SCREW	S87019	1
16	PLASTIC RETAINER	P87031	1
17	SPOUT	B87086	1
18	COVER	P87025	1
19	SET SCREW M5	S87008	1
20	CARTRIDGE (K-25 PVD+)	C087019	1
21	BONNET NUT	B87074	1
22	LOCK RING	B87073	1
23		DRY_BAG	1
24		INSTRUCTION_SHEET	1
25		PACKAGING	1



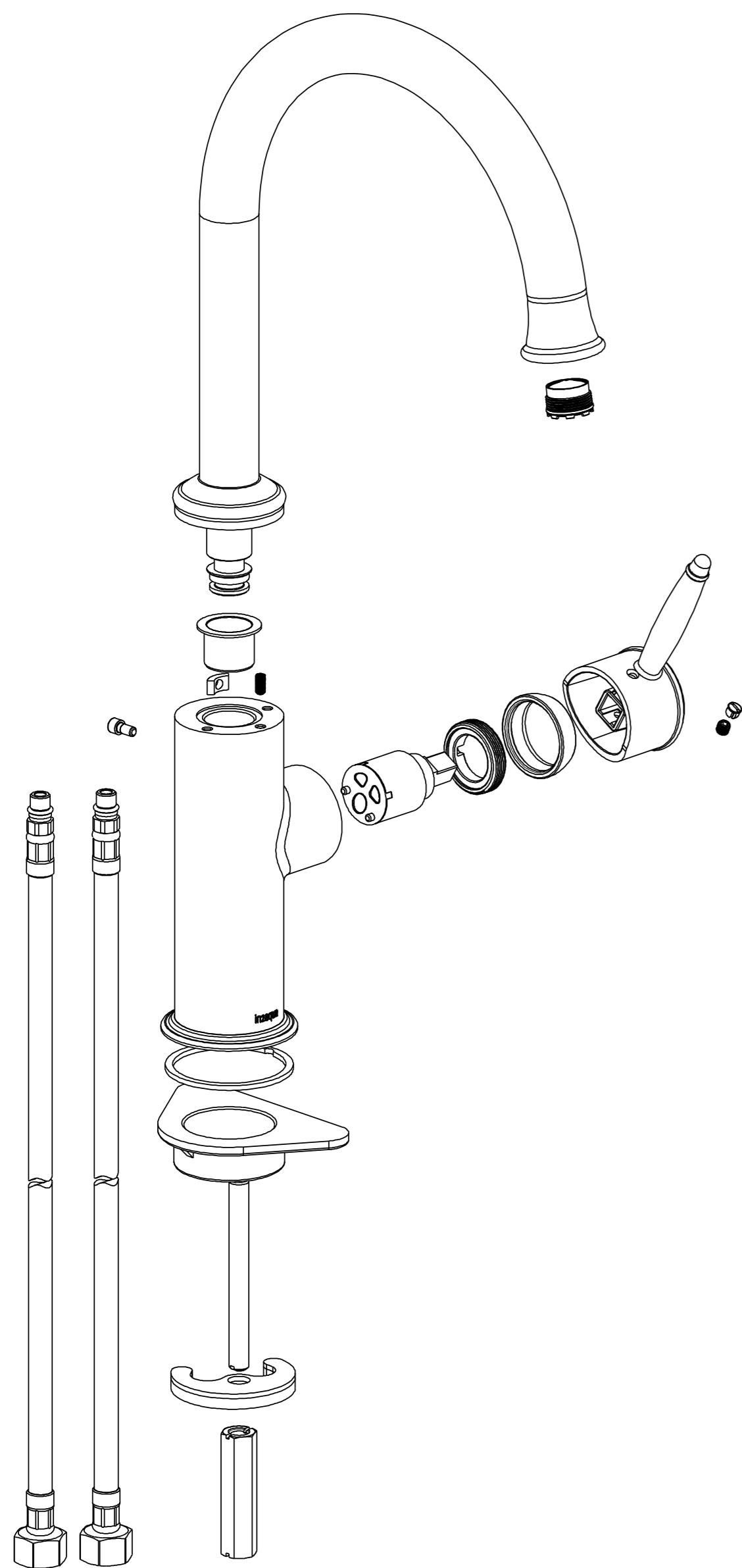
SCALE 1:2



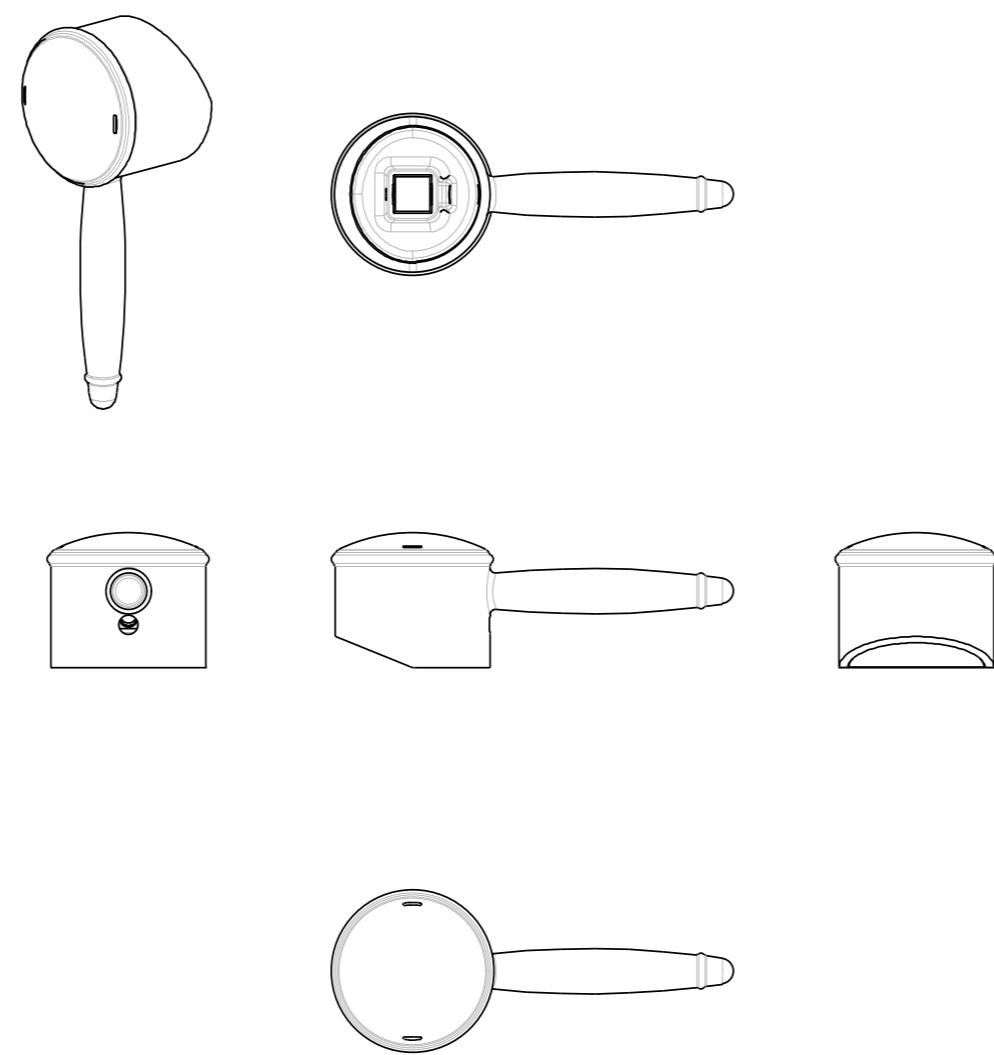
CLASSIC kitchen faucet with swivel spout

Finish: chrome
Article number: 6000 1 00 1

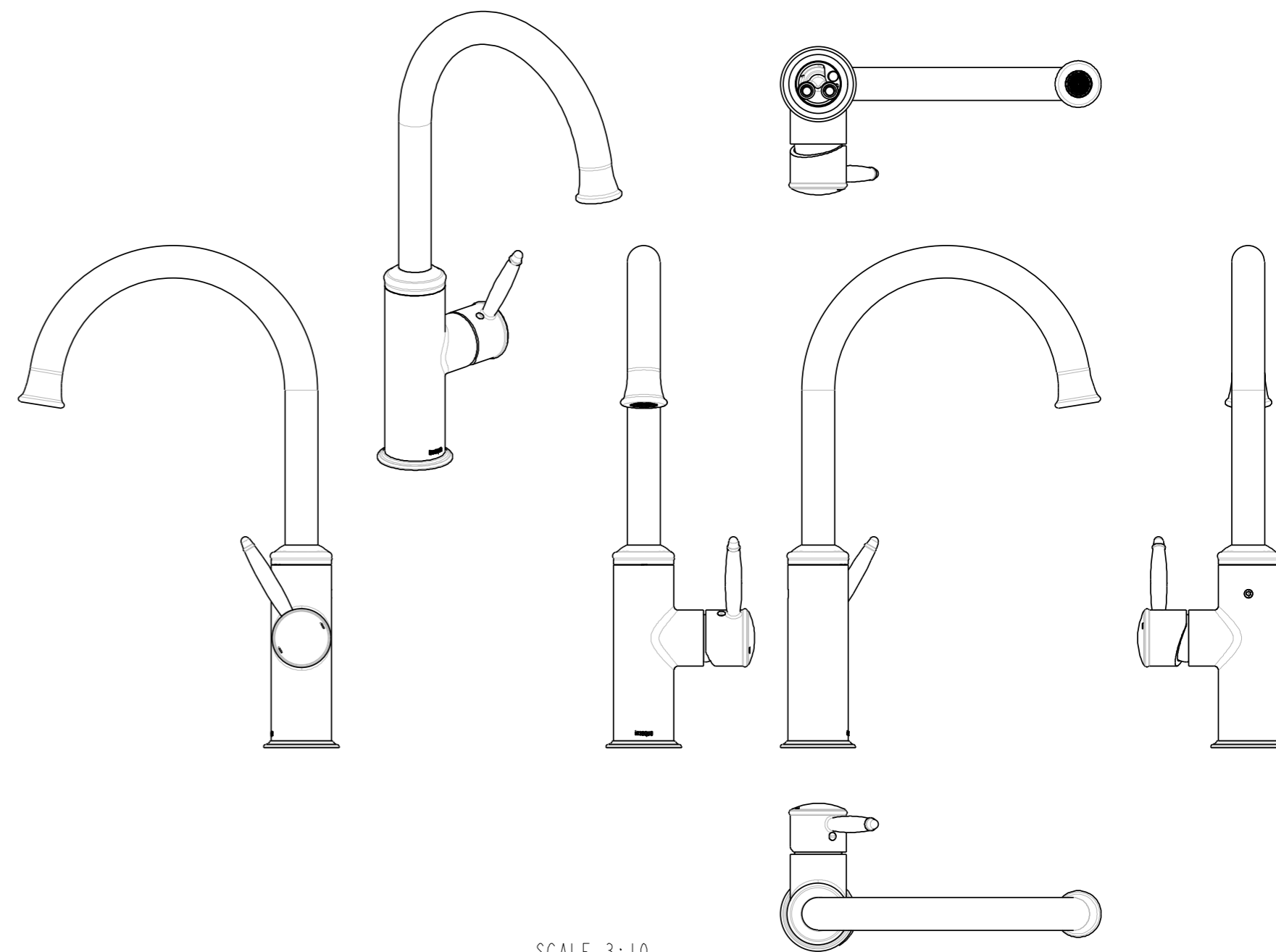
Finish: stainless steel
Article number: 6000 1 80 1



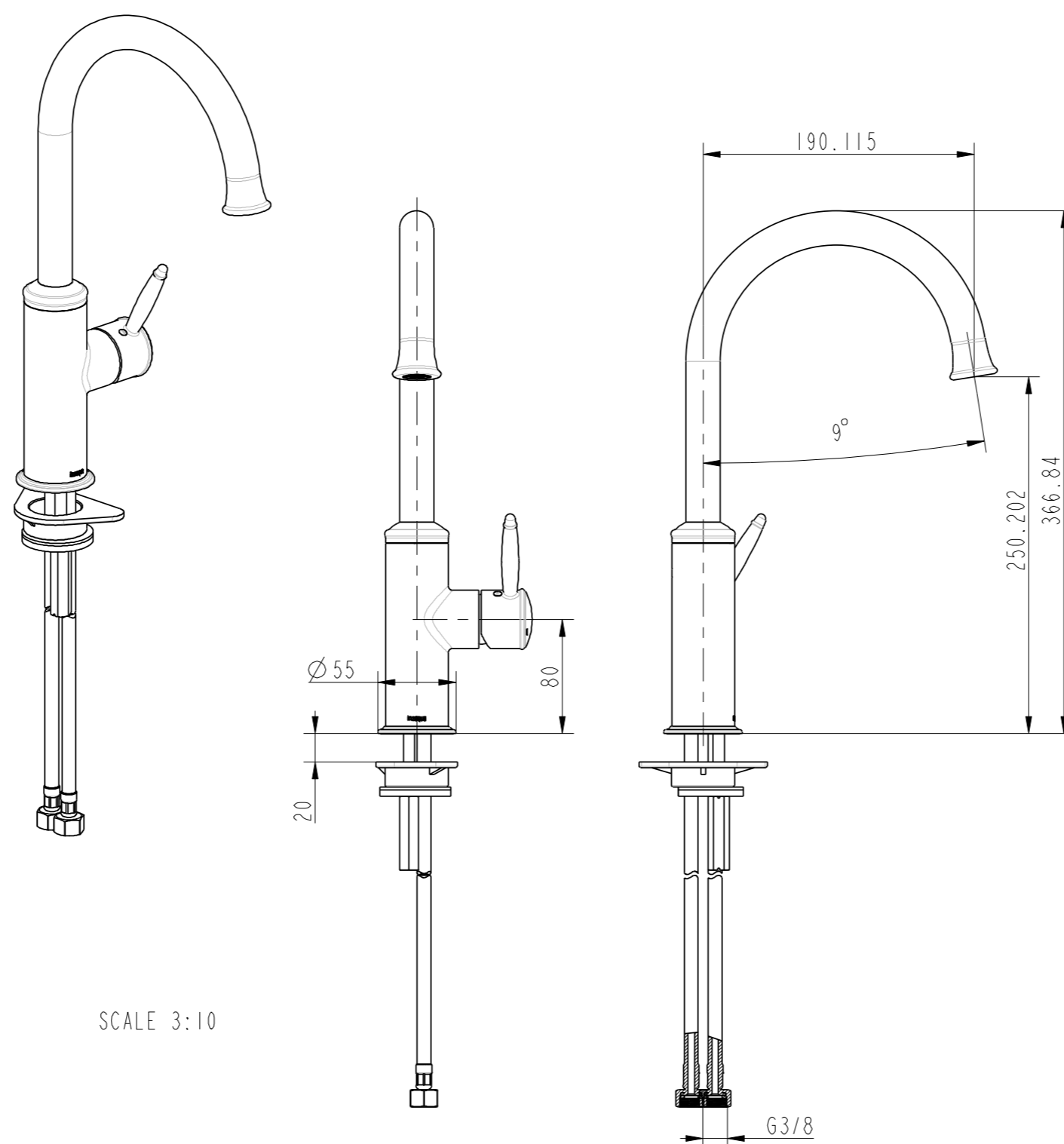
SCALE 1:2



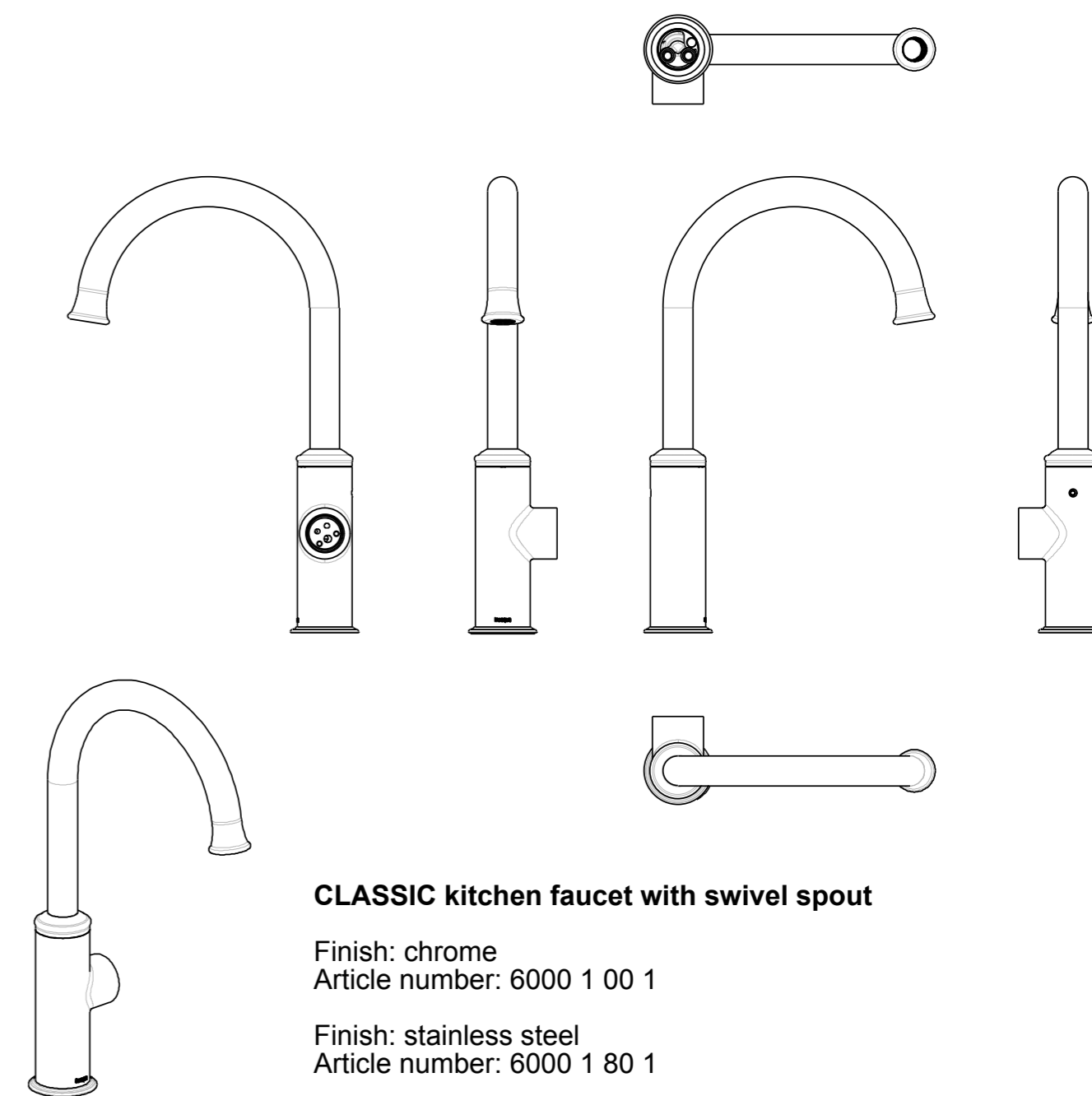
SCALE 1:2



SCALE 3:10



SCALE 3:10



SCALE 1:5

CLASSIC kitchen faucet with swivel spout

Finish: chrome
Article number: 6000 1 00 1

Finish: stainless steel
Article number: 6000 1 80 1