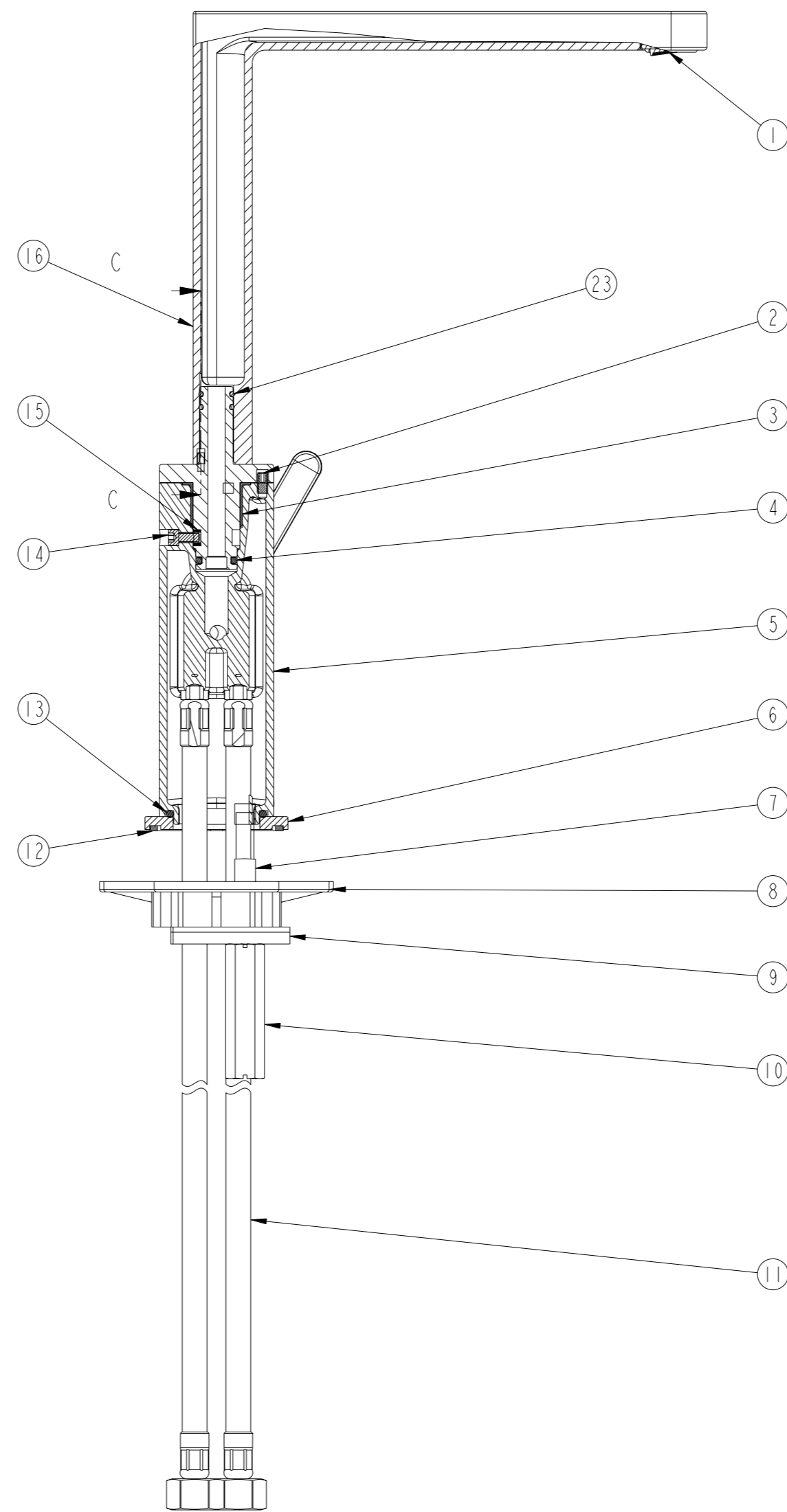
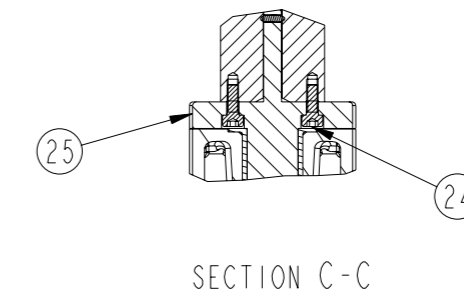


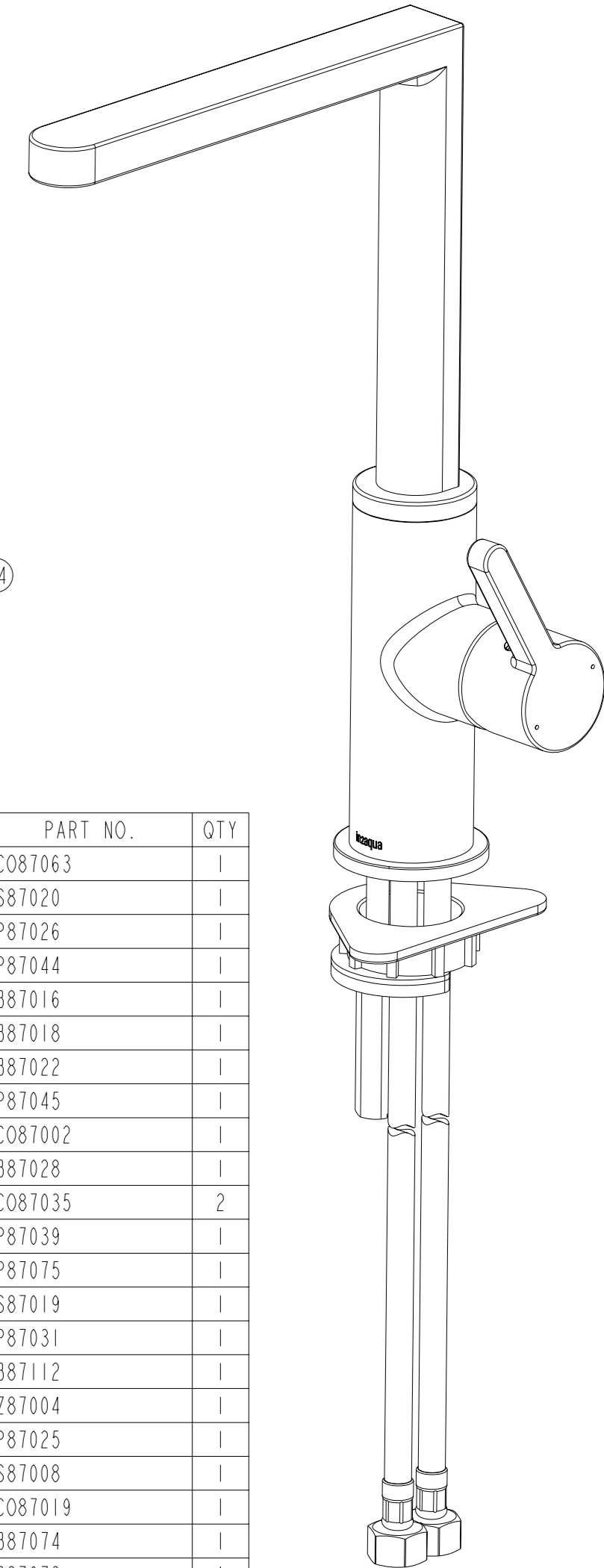
SECTION B-B  
SCALE 1:2



SECTION A-A  
SCALE 1:2



SECTION C-C  
SCALE 1:2



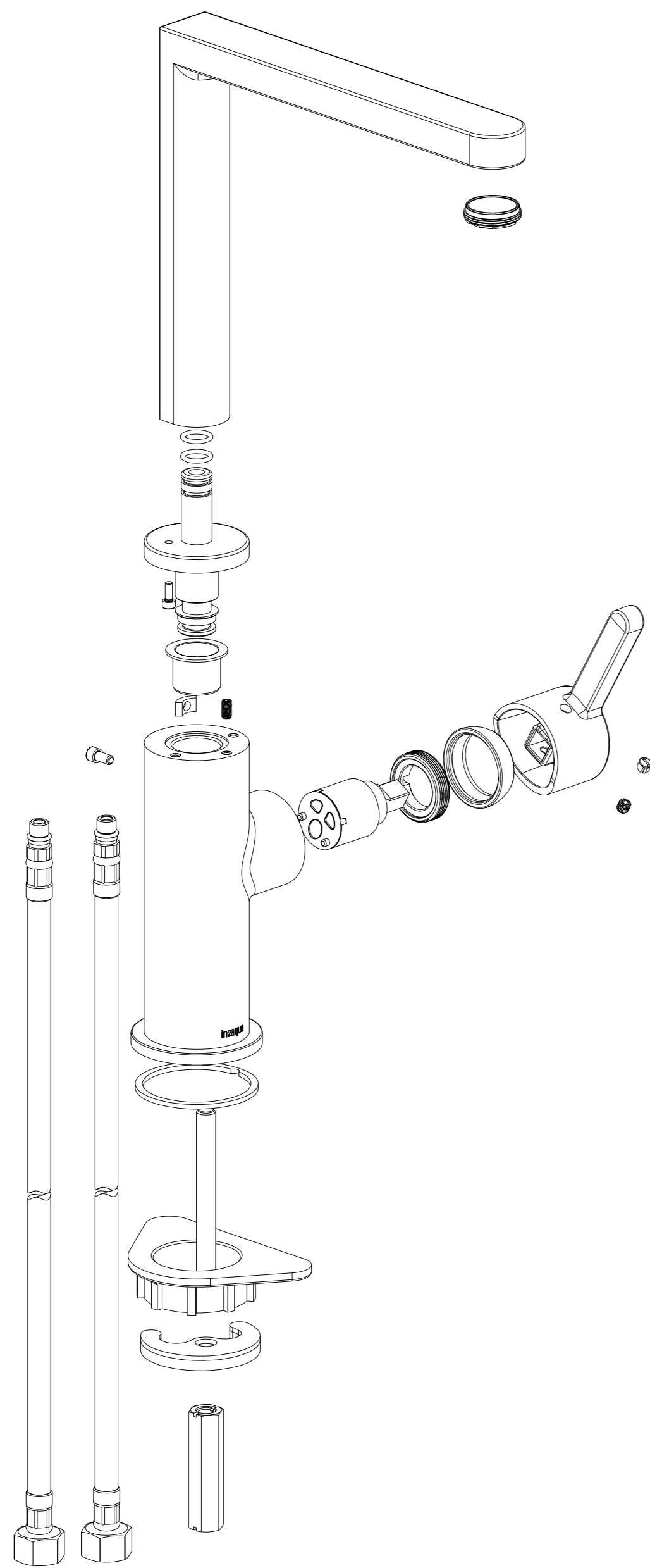
SCALE 1:2

ITEM	DESCRIPTION	PART NO.	QTY
1	AERATOR CACHE SLIM SSR M24X1	C087063	1
2	SCREW M4X8	S87020	1
3	PLASTIC RING	P87026	1
4	SEAL RING	P87044	1
5	SPOUT BASE	B87016	1
6	BASE RING	B87018	1
7	BOLT M8	B87022	1
8	PLASTIC TRIANGLE	P87045	1
9	FIXATION PLATE	C087002	1
10	FIXATION NUT M8	B87028	1
11	CONNECTION HOSE	C087035	2
12	SEAL	P87039	1
13	O-RING	P87075	1
14	M4X8 SCREW	S87019	1
15	PLASTIC RETAINER	P87031	1
16	SPOUT	B87112	1
17	HANDLE	Z87004	1
18	COVER	P87025	1
19	SET SCREW M5	S87008	1
20	CARTRIDGE(K-25 PVD+)	C087019	1
21	BONNET NUT	B87074	1
22	LOCK RING	B87073	1
23	O RING $\varnothing 10 \times 1.8$	P87053	2
24	SETTING SCREW M3 X 8	S87001	2
25	SPOUT BASE	B87019	1
26		DRY_BAG	1
27		INSTRUCTION_SHEET	1
28		PACKAGING	1

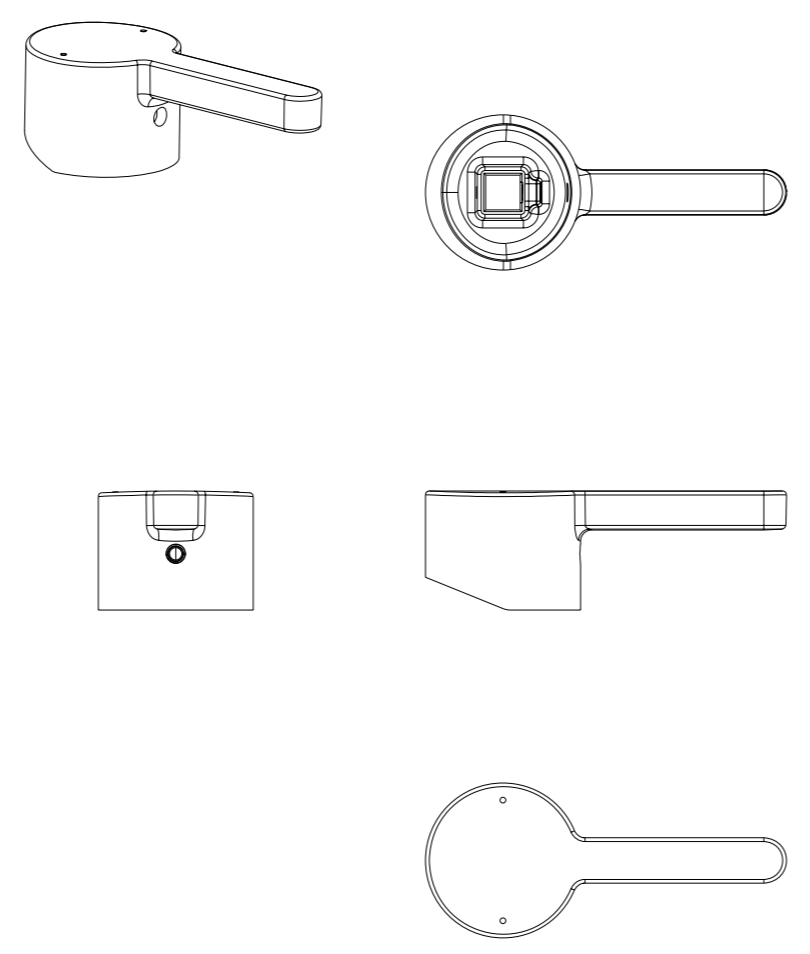
**EDGE XL kitchen faucet with swivel spout**

Finish: chrome  
Article number: 6006 1 00 1

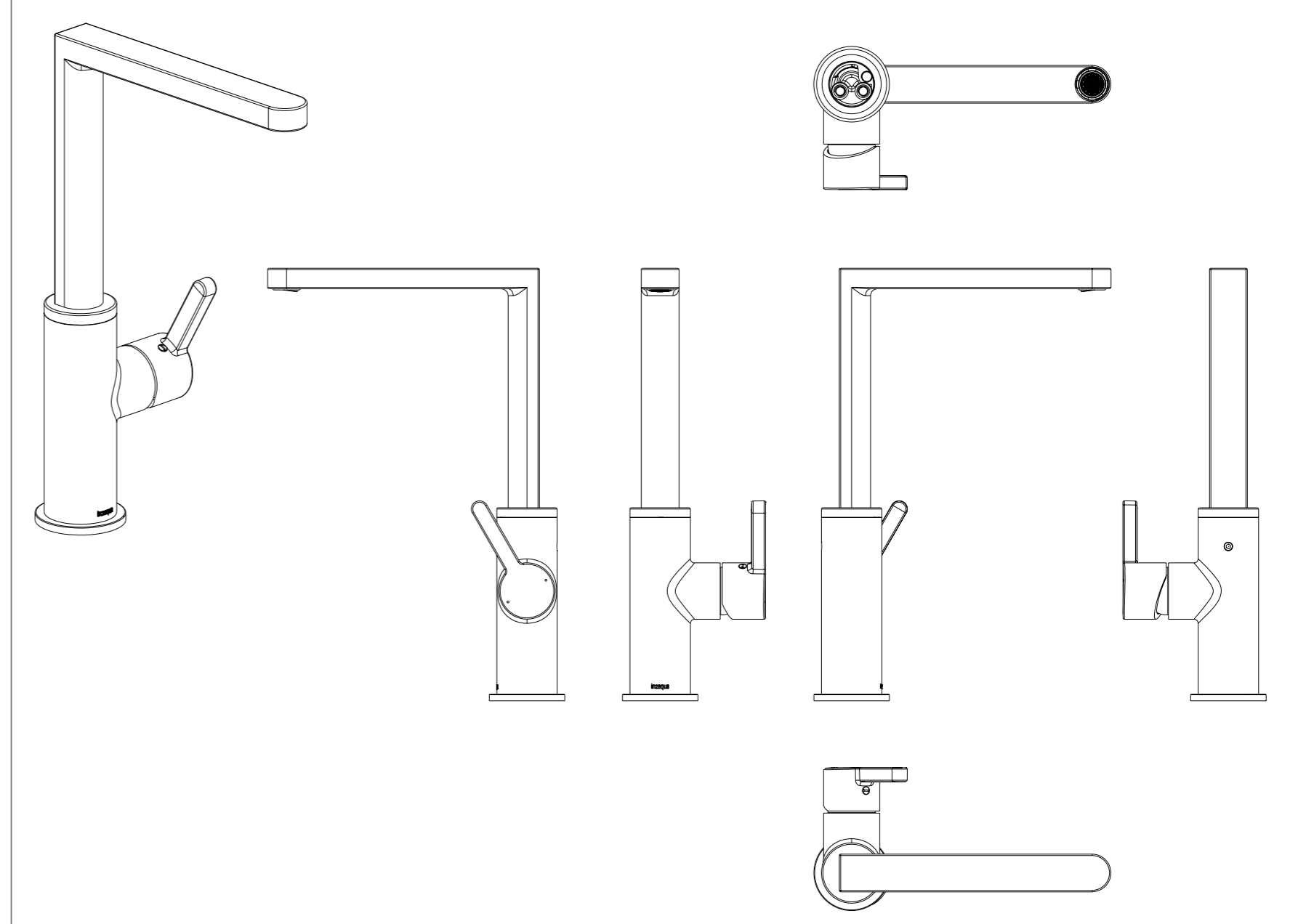
Finish: stainless steel  
Article number: 6006 1 80 1



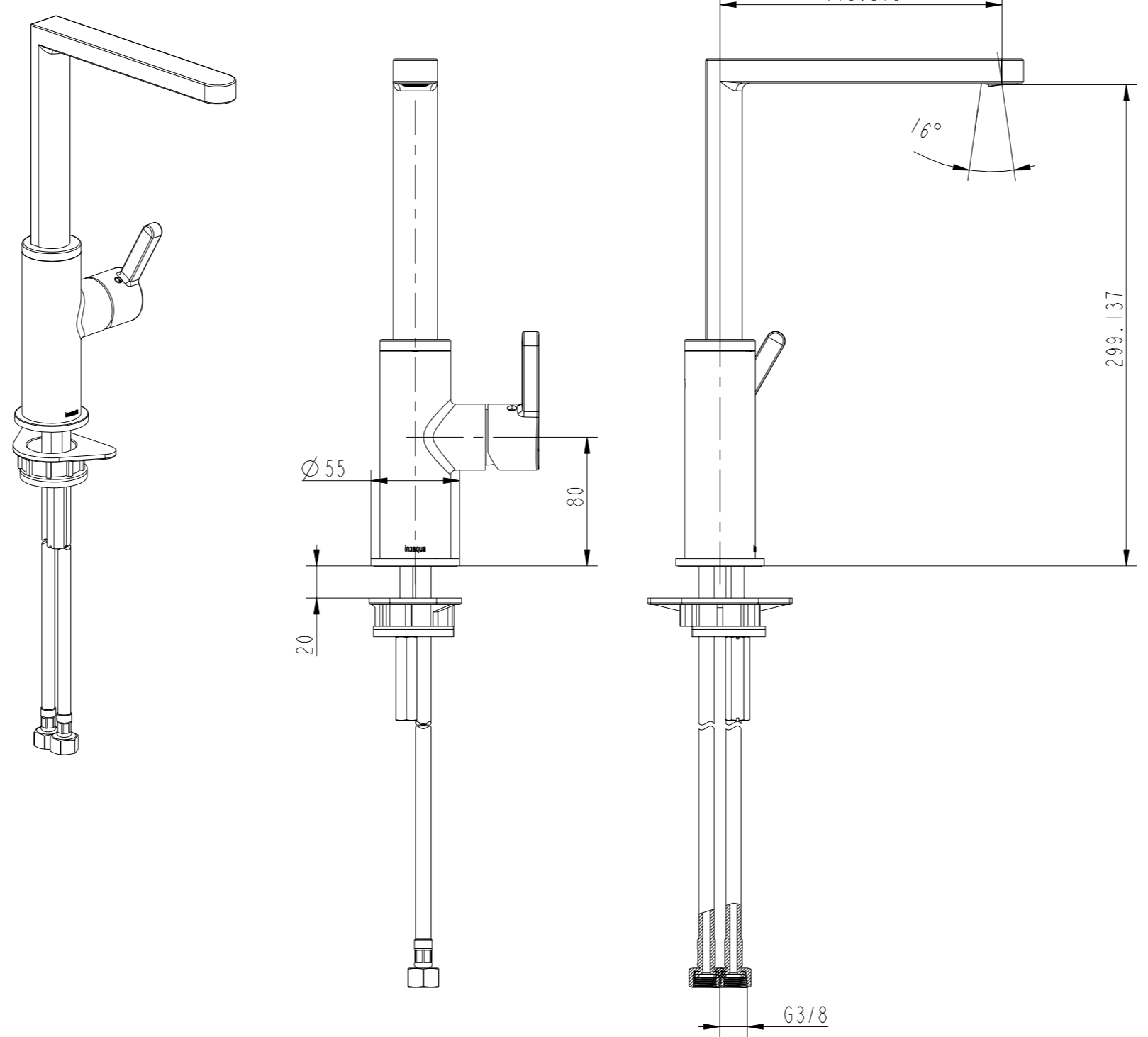
SCALE 1:2



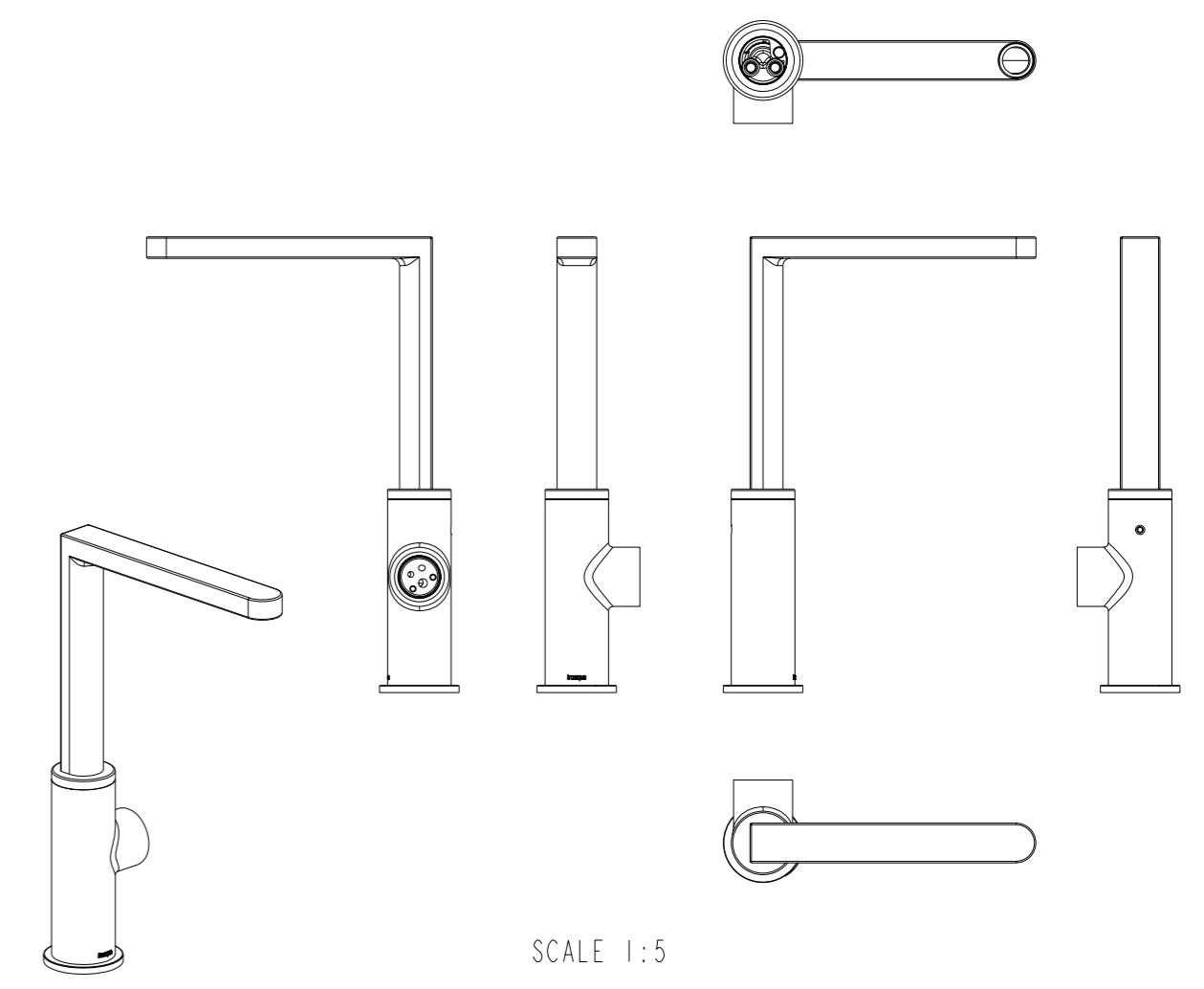
SCALE 1:2



SCALE 3:10



SCALE 3:10



SCALE 1:5

**EDGE XL kitchen faucet with swivel spout**

Finish: chrome  
Article number: 6006 1 00 1

Finish: stainless steel  
Article number: 6006 1 80 1